

Plastic cable glands

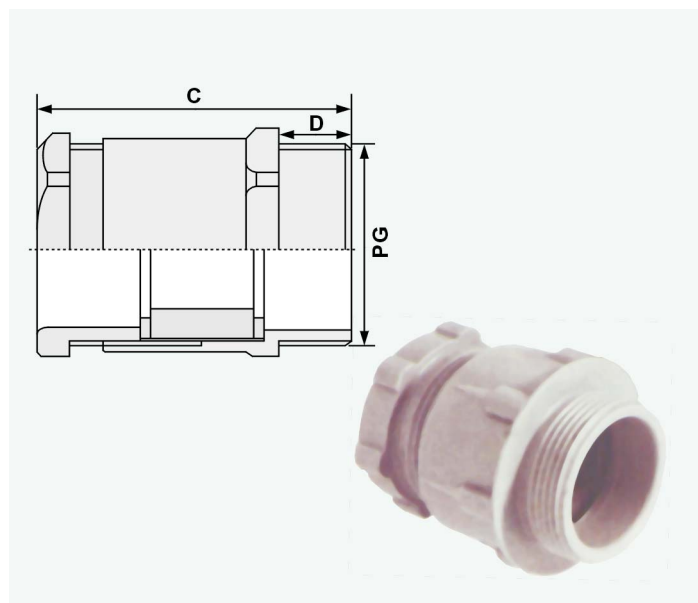
Flat cable connection thread

RBSPP

This cable gland is made to accept different types of cables . It is consisted of 5 parts , including a 2-part gland element, a unique seal insert , and two compression washers . The seal automatically fits around various cable dimensions , and only 1 seal is needed. It is possible to fit two cables in one gland .

Assembly instructions:

Assembly is facilitated if the special seal is bent slightly when being pushed on to the cable .

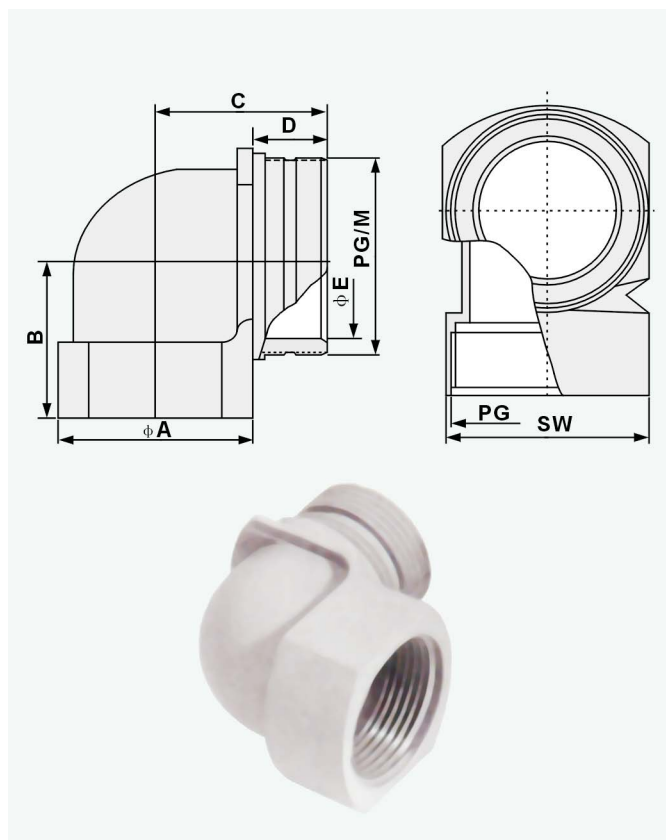


Angle

RAEPP

90° elbow

This plastic angle gland is used wherever cables have to run parallel to the housing wall . The gland is secured by a locknut . RAEPP can be combined with any cable gland , in particular with DASPM .



Technical Data	Temperature range	Protection class	Material	Standard colour
RBSPP	-20°C to +60°C	IP 54	Body : Polystyrene Sealing : Neoprene	RAL 7035 light grey

Threaded entry PG	Cat .No	Suitable for flat cable with min ./max	Cable thickness mm min ./max	Wrench size mm	C mm	D mm	Packing unit pieces
16	RBSPPNN-16	-/15	-/5	27/33	39.5	10	25
21	RBSPPNN-21	9/21	3/8	32/30	43	11	25
29	RBSPPNN-29	14/26	4/11.5	42/41	45	11	25
36	RBSPPNN-36	24/34	4/11.5	53/50	51	13	10
42	RBSPPNN-42	29/40	5/12	60/55	54	13	5
48	RBSPPNN-48	34/45	5/12	65/60	55	15	5

Technical Data	Temperature range	Protection class	Material	Standard colour
RAEPP	-20°C to +80°C	IP 55	Polyamide , reinforced glass fibre	RAL 7001 , silver grey

Threaded entry PG	Cat .No	Wrench size 1/2mm	A mm	B mm	C mm	D mm	φ E mm	Packing unit pieces
9	RAEPPNN-9	19	19	21	23	11	10	25
11	RAEPPNN-11	22	22	21.5	25	12	13	25
13.5	RAEPPNN-13.5	24	24	24	27	12	14	25
16	RAEPPNN-16	27	27	25	29.5	13	17	10
21	RAEPPNN-21	32	32	30	35	15	23	10
29	RAEPPNN-29	41	41	34	38.5	15	30	10