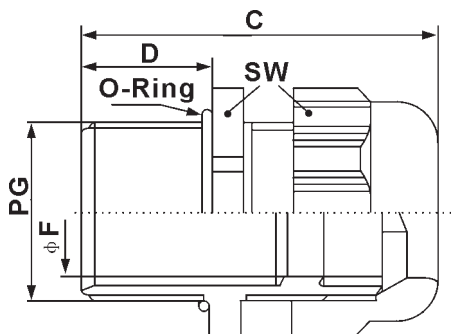


Plastic cable glands

PG connection thread

DBSPP

This cable gland is manufactured from polyamide . It is intended for very general applications such as various electrical and mechanical equipments , controlling and automation , and manufacturing devices .



Technical Data	Temperature range	Protection class	Material	Standard colour
DBSPP	-20°C to +80°C	IP 68-5 bar	Body : Polyamide Sealing : Neoprene	RAL 7001 silver grey RAL 9005 black

Seal hole	Threaded entry PG	Cat .No	Clamping range mm	Wrench size mm	C mm	D mm	Packing unit pieces
	7	DBSPPNN-7	2.5-6.5	15	32	8	100
	9	DBSPPNN-9	3.5-8	19	36	8	100
	11	DBSPPNN-11	4-10	22	38	8	100
	13.5	DBSPPNN-13.5	6-12	24	41	9	100
	16	DBSPPNN-16	9-14	27	44	10	50
	21	DBSPPNN-21	13-18	33	49	11	50
	29	DBSPPNN-29	14-25	42	56	11	25
	36	DBSPPNN-36	24-32	53	66	13	10
	42	DBSPPNN-42	35-38	60	68	13	5
48	DBSPPNN-48	39-44	65	69	14	5	

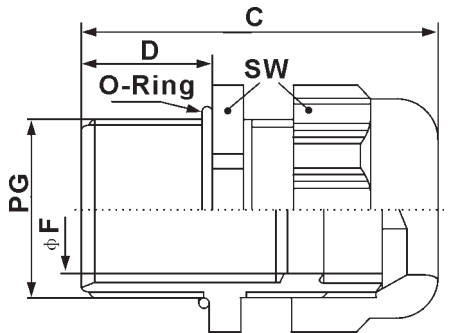
Seal hole	Threaded entry PG	Cat .No	Clamping range mm	Wrench size mm	C mm	D mm	Packing unit pieces
	7	DBSPPY2D-7	2.5-6.5	15	32	8	100
	9	DBSPPY2D-9	3.5-8	19	36	8	100
	11	DBSPPY2D-11	4-10	22	38	8	100
	13.5	DBSPPY2D-13.5	6-12	24	41	9	100
	16	DBSPPY2D-16	9-14	27	44	10	50
	21	DBSPPY2D-21	13-18	33	49	11	50
	29	DBSPPY2D-29	14-25	42	56	11	25
	36	DBSPPY2D-36	24-32	53	66	13	10
	42	DBSPPY2D-42	35-38	60	68	13	5
48	DBSPPY2D-48	39-44	65	69	14	5	

Seal hole	Threaded entry PG	Cat .No	Clamping range mm	Wrench size mm	C mm	D mm	Packing unit pieces
	7	DBSPPY3D-7	2.5-6.5	15	32	8	100
	9	DBSPPY3D-9	3.5-8	19	36	8	100
	11	DBSPPY3D-11	4-10	22	38	8	100
	13.5	DBSPPY3D-13.5	6-12	24	41	9	100
	16	DBSPPY3D-16	9-14	27	44	10	50
	21	DBSPPY3D-21	13-18	33	49	11	50
	29	DBSPPY3D-29	14-25	42	56	11	25
	36	DBSPPY3D-36	24-32	53	66	13	10
	42	DBSPPY3D-42	35-38	60	68	13	5
48	DBSPPY3D-48	39-44	65	69	14	5	

PG connection thread

DBSPP

This cable gland is manufactured from polyamide . It is intended for very general applications such as various electrical and mechanical equipments , controlling and automation , and manufacturing devices .



Technical Data	Temperature range	Protection class	Material	Standard colour
DBSPP	-20°C to +80°C	IP 68-5 bar	Body : Polyamide Sealing : Neoprene	RAL 7001 silver grey RAL 9005 black

Seal hole	Threaded entry PG	Cat .No	Clamping range mm	Wrench size mm	C mm	D mm	Packing unit pieces
	7	DBSPPY4D-7	2.5-6.5	15	32	8	100
	9	DBSPPY4D-9	3.5-8	19	36	8	100
	11	DBSPPY4D-11	4-10	22	38	8	100
	13.5	DBSPPY4D-13.5	6-12	24	41	9	100
	16	DBSPPY4D-16	9-14	27	44	10	50
	21	DBSPPY4D-21	13-18	33	49	11	50
	29	DBSPPY4D-29	14-25	42	56	11	25
	36	DBSPPY4D-36	24-32	53	66	13	10
	42	DBSPPY4D-42	35-38	60	68	13	5
	48	DBSPPY4D-48	39-44	65	69	14	5

Seal hole	Threaded entry PG	Cat .No	Clamping range mm	Wrench size mm	C mm	D mm	Packing unit pieces
	7	DBSPPY5D-7	2.5-6.5	15	32	8	100
	9	DBSPPY5D-9	3.5-8	19	36	8	100
	11	DBSPPY5D-11	4-10	22	38	8	100
	13.5	DBSPPY5D-13.5	6-12	24	41	9	100
	16	DBSPPY5D-16	9-14	27	44	10	50
	21	DBSPPY5D-21	13-18	33	49	11	50
	29	DBSPPY5D-29	14-25	42	56	11	25
	36	DBSPPY5D-36	24-32	53	66	13	10
	42	DBSPPY5D-42	35-38	60	68	13	5
	48	DBSPPY5D-48	39-44	65	69	14	5

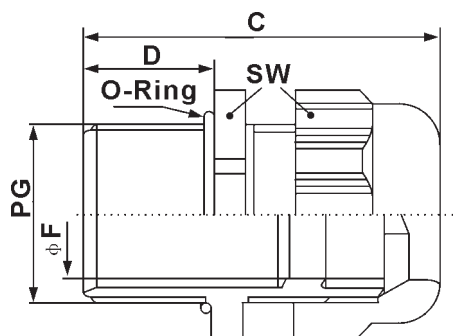
Seal hole	Threaded entry PG	Cat .No	Clamping range mm	Wrench size mm	C mm	D mm	Packing unit pieces
	7	DBSPPY6D-7	2.5-6.5	15	32	8	100
	9	DBSPPY6D-9-01	3.5-8	19	36	8	100
	11	DBSPPY6D-11	4-10	22	38	8	100
	13.5	DBSPPY6D-13.5	6-12	24	41	9	100
	16	DBSPPY6D-16	9-14	27	44	10	50
	21	DBSPPY6D-21	13-18	33	49	11	50
	29	DBSPPY6D-29	14-25	42	56	11	25
	36	DBSPPY6D-36	24-32	53	66	13	10
	42	DBSPPY6D-42	35-38	60	68	13	5
	48	DBSPPY6D-48	39-44	65	69	14	5

Plastic cable glands

PG connection thread

DBSPP

This cable gland is manufactured from polyamide . It is intended for very general applications such as various electrical and mechanical equipments , controlling and automation , and manufacturing devices .



Technical Data	Temperature range	Protection class	Material	Standard colour
DBSPP	-20°C to +80°C	IP 68-5 bar	Body : Polyamide Sealing : Neoprene	RAL 7001 silver grey RAL 9005 black

Seal hole	Threaded entry PG	Cat .No	Clamping range mm	Wrench size mm	C mm	D mm	Packing unit pieces
	7	DBSPPY7D-7	2.5-6.5	15	32	8	100
	9	DBSPPY7D-9	3.5-8	19	36	8	100
	11	DBSPPY7D-11	4-10	22	38	8	100
	13.5	DBSPPY7D-13.5	6-12	24	41	9	100
	16	DBSPPY7D-16	9-14	27	44	10	50
	21	DBSPPY7D-21	13-18	33	49	11	50
	29	DBSPPY7D-29	14-25	42	56	11	25
	36	DBSPPY7D-36	24-32	53	66	13	10
	42	DBSPPY7D-42	35-38	60	68	13	5
	48	DBSPPY7D-48	39-44	65	69	14	5

Seal hole	Threaded entry PG	Cat .No	Clamping range mm	Wrench size mm	C mm	D mm	Packing unit pieces
	7	DBSPPY8D-7	2.5-6.5	15	32	8	100
	9	DBSPPY8D-9	3.5-8	19	36	8	100
	11	DBSPPY8D-11	4-10	22	38	8	100
	13.5	DBSPPY8D-13.5	6-12	24	41	9	100
	16	DBSPPY8D-16	9-14	27	44	10	50
	21	DBSPPY8D-21	13-18	33	49	11	50
	29	DBSPPY8D-29	14-25	42	56	11	25
	36	DBSPPY8D-36	24-32	53	66	13	10
	42	DBSPPY8D-42	35-38	60	68	13	5
	48	DBSPPY8D-48	39-44	65	69	14	5

Seal hole	Threaded entry PG	Cat .No	Clamping range mm	Wrench size mm	C mm	D mm	Packing unit pieces
	7	DBSPPLD-7	2.5-6.5	15	32	8	100
	9	DBSPPLD-9	3.5-8	19	36	8	100
	11	DBSPPLD-11	4-10	22	38	8	100
	13.5	DBSPPLD-13.5	6-12	24	41	9	100
	16	DBSPPLD-16	9-14	27	44	10	50
	21	DBSPPLD-21	13-18	33	49	11	50
	29	DBSPPLD-29	14-25	42	56	11	25
	36	DBSPPLD-36	24-32	53	66	13	10
	42	DBSPPLD-42	35-38	60	68	13	5
	48	DBSPPLD-48	39-44	65	69	14	5