

Compact distribution and protection system

Complementary elements compact system

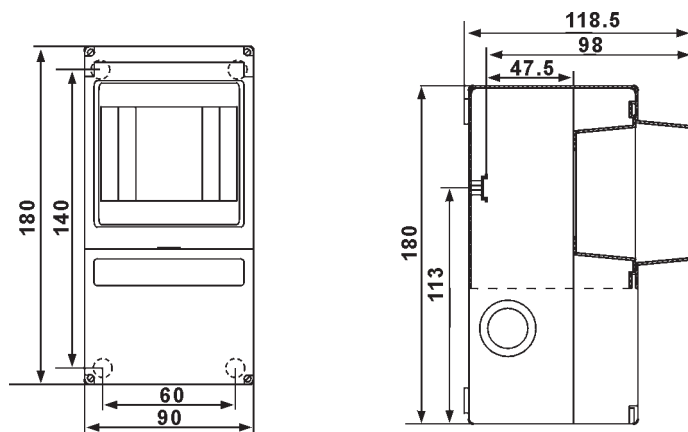
WATERTIGHT ENCLOSURES - IP 55 - Wall mounted and embedded versions

- ★ The boxes and covers are in insulating material RAL 7035 . Which passes the glow wire test at 960°C according to IEC 695-2-1 and CEI 50-11 .
- ★ Enclosures , supplied DIN guide symmetric type DIN 46.277/2 - EN 50.022 - 35/7.5 mm , suitable for mounted modular elements with 53 mm and 98 mm .
- ★ Wall enclosures are composed in battery with insulated cable clamps and gaskets .
- ★ Knock-out cable covers where you need them .
- ★ In wall enclosures , possibility to mount screw and seat brass terminal blocks suitable for connecting earth and neutral .
- ★ Degree of protection IP 55 according to IEC 529 and CEI EN 60529 , reachable with cable clamps (IP 54 with fair-leads) .
- ★ Execution according to IEC 670 and Pr . C . 431 .

WALL ENCLOSURE

Enclosure 90×180 -4 modules supplied with : DIN guide , cover screw cap , n° 2 fair-leads for max ϕ tube 25 mm , knock - outs 8× ϕ 28.5 (Pg 21) .

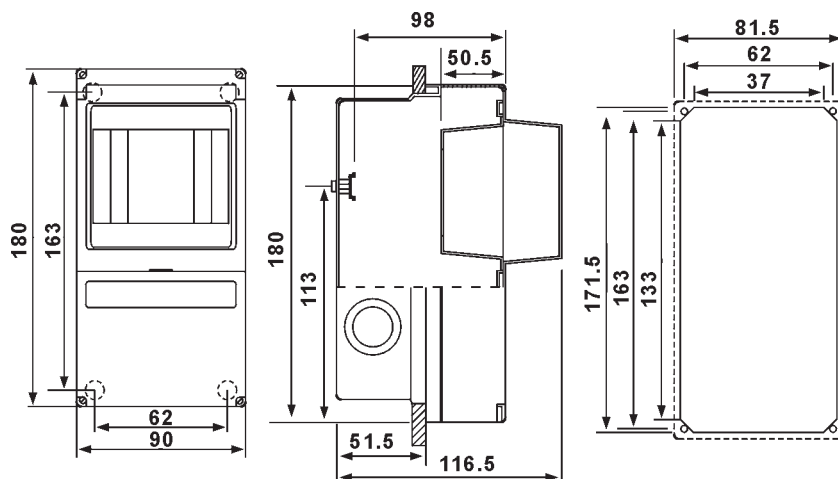
Part Number : EWCBC90×118.5×180 - 8



PANEL/EMBEDDING ENCLOSURE

Enclosure 90×180-4 modules supplied with : DIN guide , cover screw cap , n° 2 grommets for max ϕ tube 25 mm , knock-outs 8× ϕ 28.5 (Pg 21) , cut out .

Part Number : EPCBB90×116.5×180 - 8



● Complementary elements compact system

Technical data

Characteristic	PC	ABS	Used for standard (UL CSA CE)
Protection class (En60529)	IP55	IP55	American : used for electric equipment boxes PC:UL style 1 4 4X 6(12 and 13) (UL 50/508) ABS :NEMA 1 4 4X 6(12 and 13)
Resist striking (En5012)	IK 08	IK 07	Canada : Industry control equipment used for electric equipment /ULc
Temperature ranges (Temporary) F	-40 -120	-40 -80	Europe: Used for components of the switch box and control box
Temperature ranges (Continuous) F	-40 F -250 F	-40 F -175 F	EN 50298 1998
Temperature ranges (Continuous) F	-40 -80	-40 -60	Europe : Used for the security of IT equipment
Temperature ranges (Continuous) F	-40 F-175 F	-40 F-140 F	EN 60950
The electric insulation	Completely insulating	Completely insulating	Australia : Used for switch box and control box
Light grey part colour	RAL 7035 Industry grey	RAL 7035 Industry grey	AS 3132 - 1991
Cover colour	Transparence	grey	
Screw for the cover	Silvery white	Silvery white	
Screw for the sheet	Light yellow	Light yellow	
Gasket	PUR/TPE	PUR/TPE	
Flammability class	UL 94 -5V	UL 94HB	UL 746 C 5 inch perpendicularity flame test
Burning conductor test	960	650	IEC 695 - 2 - 1 self-extinguishing
Innocuous properties	No halogen	No halogen	
Preventing ultraviolet radiation	UL 508		
Resist chemical corrosion	Be in aging machine 720 hours still well	Well	