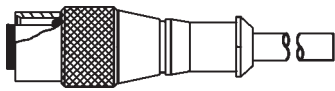
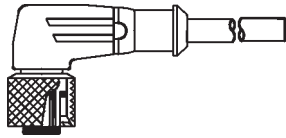


# EURO-STYLE INDEX



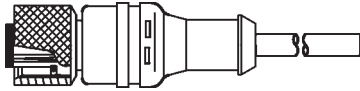
Page:C-03

Euro-style/Female/Straight



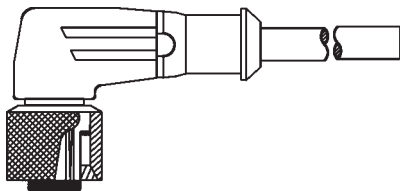
Page:C-04

Euro-style/Female/Right Angle



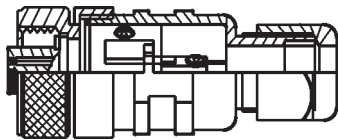
Page:C-05

Euro-style/Female/Straight/With LED



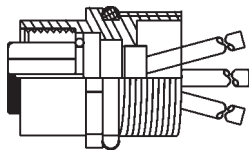
Page:C-06

Euro-style/Female/Right Angle



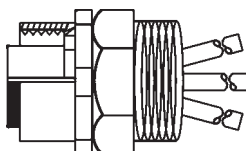
Page:C-08

Euro-style/Female/Straight



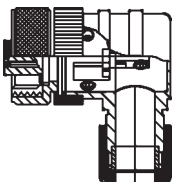
Page:C-09

Euro-style/Female/Straight



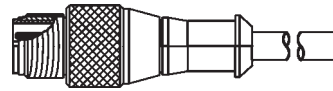
Page:C-10

Euro-style/Female/Straight



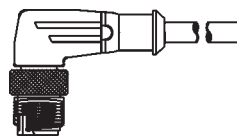
Page:C-11

Euro-style/Female/Right Angle



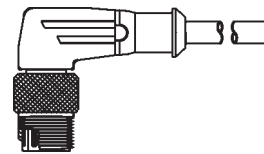
Page:C-12

Euro-style/Male/Straight



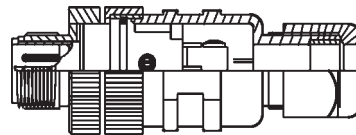
Page:C-13

Euro-style/Male/Right Angle



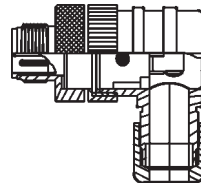
Page:C-14

Euro-style/Male/Right Angle/with LED



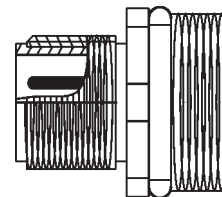
Page:C-15

Euro-style/Male/Straight



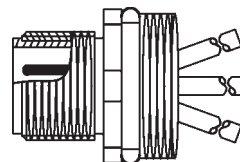
Page:C-16

Euro-style/Male/Right Angle



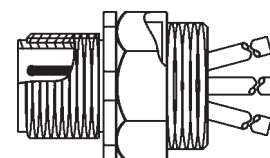
Page:C-17

Euro-style/Male/Straight



Page:C-18

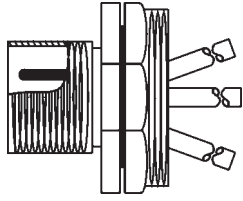
Euro-style/Male/Straight



Page:C-19

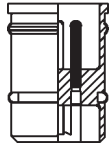
Euro-style/Male/With Positionable Insert

# EURO-STYLE INDEX



Euro-style/Male/Straight/With Nut PG..

Page:C-20



Euro-style/Male/Straight

Page:C-21



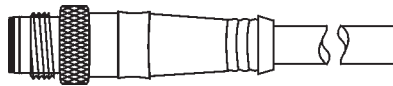
Euro-style/Male/Straight

Page:C-22



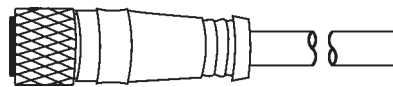
Euro-style/Male/Right Angle

Page:C-23



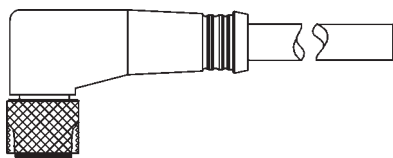
Euro-style/Male/Straight

Page:C-24



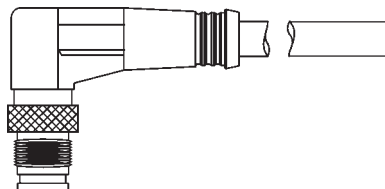
Euro-style/Female/Straight

Page:C-25



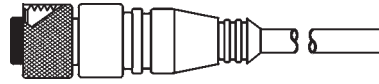
Euro-style/Female/Right Angle

Page:C-26



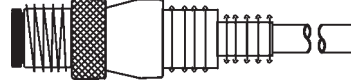
Euro-style/Male/Right Angle

Page:C-27



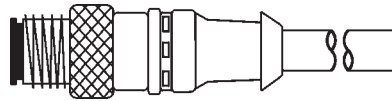
Euro-style/Female/Straight

Page:C-28



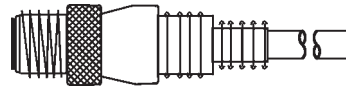
Euro-style/Male/Straight

Page:C-29



Euro-style/Male/Straight/With LED

Page:C-30



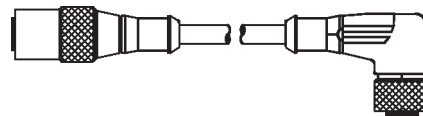
Euro-style/Male/Straight

Page:C-31



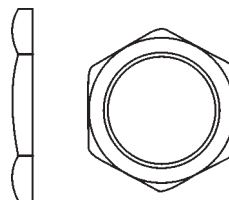
Euro-style/Male And Female/Straight

Page:C-32



Euro-style/Male And Female/  
Straight And Right Angle

Page:C-33



Fixing nut

Page:C-34

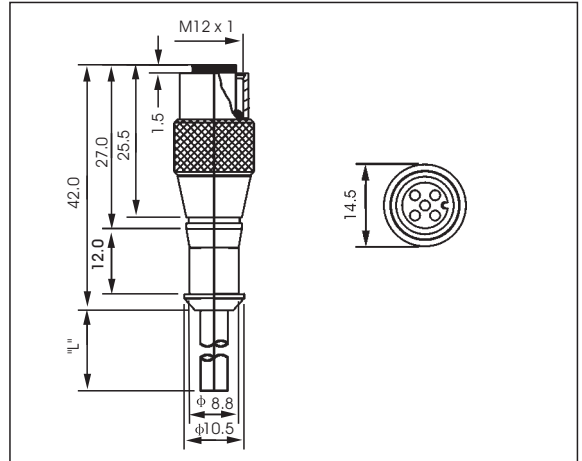
# EURO-STYLE QUICK DISCONNECT CABLES

## View



- Female Euro-style
- Screw locking with (auto) securing safety nut
- With moulded cable

## Dimensional data



## Technical Data

Application Class: HNA acc. to DIN 40040  
(-25 °C / +90 °C / ≤ 100%rF)

Moulded Body: TPU, self-extinguishing

Nominal Power: 4A (CSA=3A), 8 poles=1.5A

Nominal Voltage: 3+4 poles, 250VAC/300VDC  
5+8 poles, 30VAC/36VDC

Contact: CuSn, brass, pre-nickeled and 0.3 microns gold-plated  
8 poles=CuZn, pre-nickeled and 0.8 microns gold-plated

Body: TPU, self-extinguishing

Securing Safety Nut: Nickel plated brass

O-Ring: Viton

Protection: IP 68

Insulation Group: C acc. to VDE 0110

Test Voltage: 3+4 poles, 2.0 KV eff./60s.  
5+8 poles, 1.5 KV eff./60s.

Contact Resistance: ≤ 5mΩ

Insulation Resistance: > 10<sup>9</sup>Ω

CSA certified: 219967

## Catalog Number

Part-No	Poles	Face View female	Color Code	Conductors		Outer Jacket	
				Guage	Stranding	φ mm	Material
R-FS3TZV062	3		1=brown 3=blue 4=black	0.34mm <sup>2</sup>	42xφ0.10	5.0	PVC
R-FS3TZV312				0.34mm <sup>2</sup>	42xφ0.10		PVC irradiated
R-FS3TZY042				0.34mm <sup>2</sup>	42xφ0.10		PUR/PVC
R-FS4/3TZV062	4		1=brown 2=- 3=blue 4=black	0.34mm <sup>2</sup>	42xφ0.10	5.0	PVC
R-FS4/3TZV312				0.34mm <sup>2</sup>	42xφ0.10		PVC irradiated
R-FS4/3TZY042				0.34mm <sup>2</sup>	42xφ0.10		PUR/PVC
R-FS4TZV072	4		1=brown 2=white 3=blue 4=black	0.25mm <sup>2</sup>	32xφ0.10	5.0	PVC
R-FS4TZV812				0.34mm <sup>2</sup>	42xφ0.10		PVC irradiated
R-FS4TZY872				0.25mm <sup>2</sup>	32xφ0.10		PUR/PVC
R-FS5TZU822	5		1=brown 2=white 3=blue 4=black 5=gray	0.50mm <sup>2</sup>	16xφ0.20	6.0	PUR
R-FS8TZU092	8		1=white 2=brown 3=green 4=yellow 5=grey 6=pink 7=blue 8=red	0.25mm <sup>2</sup>	32xφ0.10	6.0	PUR

Standard length: 2.0 m, 5.0 m, 7.5 m, 10.0 m. Other cable length or cable specifications on request.

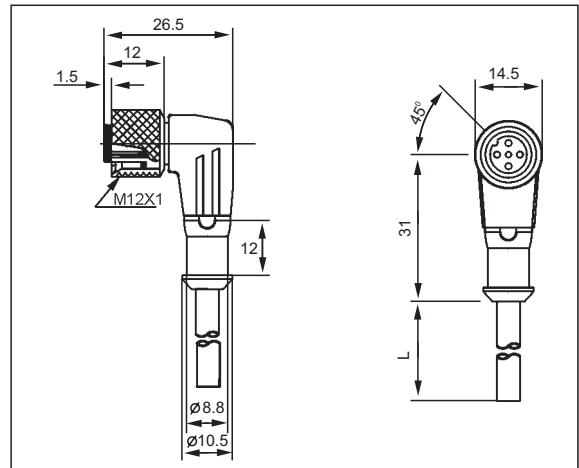
# EURO-STYLE QUICK DISCONNECT CABLES

## View



- Female Euro-style
- Right-angle style
- Screw locking with (auto) securing safety nut
- With moulded cable

## Dimensional data



## Technical Data

Application Class: HNA acc. to DIN 40040  
(-25 °C / +90 °C / ≤ 100%rF)

Moulded Body: TPU, self-extinguishing

Nominal Power: 4A(CSA=3A)

Nominal Voltage: 3+4poles, 250VAC/300VDC  
5poles, 30VAC/36VDC

Contact: CuSn, brass, pre-nickeled and 0.3 microns gold-plated

O-Ring: Viton

Body: TPU, self-extinguishing

Securing Safety Nut: Nickel plated brass

Protection: IP 68

Test Voltage: 3+4poles, 2.0 KV eff./60s.  
5+8poles, 1.5 KV eff./60s.

Insulation Group: C acc.to VDE 0110

Contact Resistance: ≤ 5m Ω

Insulation Resistance: >10<sup>9</sup> Ω

CSA certified: 219967

## Catalog Number

Part-No	Poles	Face View female	Color Code	Conductors		Outer Jacket	
				Guage	Stranding	φ mm	Material
R-FA3TZV062	3		1=brown 3=blue 4=black	0.34mm <sup>2</sup>	42x φ 0.10	5.0	PVC
R-FA3TZV312				0.34mm <sup>2</sup>	42x φ 0.10		PVC irradiated
R-FA3TZY042				0.34mm <sup>2</sup>	42x φ 0.10		PUR/PVC
R-FA4/3TZV062	4		1=brown 2=- 3=blue 4=black	0.34mm <sup>2</sup>	42x φ 0.10	5.0	PVC
R-FA4/3TZV312				0.34mm <sup>2</sup>	42x φ 0.10		PVC irradiated
R-FA4/3TZY042				0.34mm <sup>2</sup>	42x φ 0.10		PUR/PVC
R-FA4TZV072	4		1=brown 2=white 3=blue 4=black	0.25mm <sup>2</sup>	32x φ 0.10	5.0	PVC
R-FA4TZV812				0.34mm <sup>2</sup>	42x φ 0.10		PVC irradiated
R-FA4TZY872				0.25mm <sup>2</sup>	32x φ 0.10		PUR/PVC
R-FA5TZU822	5		1=brown 2=white 3=blue 4=black 5=gray	0.50mm <sup>2</sup>	16x φ 0.20	6.0	PUR

Standard length: 2.0 m, 5.0 m, 7.5 m, 10.0 m. Other cable length or cable specifications on request.

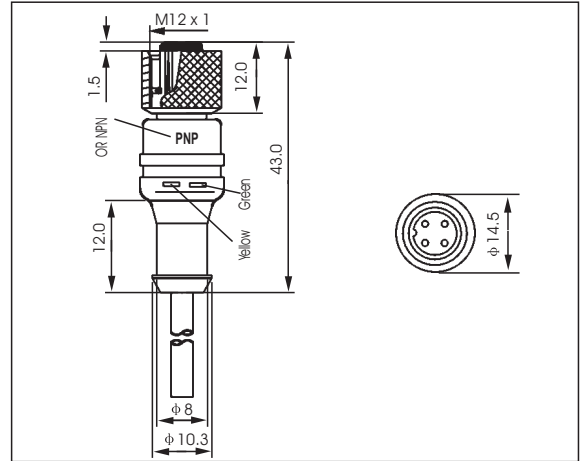
# EURO-STYLE QUICK DISCONNECT CABLES

## View



- Female Euro-style
- With built-in LED
- Screw locking with (auto) securing safety nut
- With moulded cable

## Dimensional data



## Technical Data

Application Class: HNA acc. to DIN 40040  
(-25 °C / +90 °C / ≤ 100%rF)

Moulded Body: TPU, self-extinguishing

Nominal Power: 4A(CSA=3A)

Nominal Voltage: 10-30VDC

Contact: CuSn, brass, pre-nickeled and 0.3 microns gold-plated

O-Ring: Viton

Body: TPU, self-extinguishing

Securing Safety Nut: Nickel plated brass

Protection: IP 68

Insulation Group: C acc. to VDE 0110

Contact Resistance: ≤ 5m Ω

Insulation Resistance: > 10<sup>9</sup> Ω





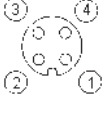
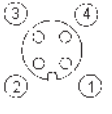
## Catalog Number

Part-No	Poles	Face View female	Color Code	Conductors		Outer Jacket		Circuit LED-indicator
				Guage	Stranding	φ (mm)	Material	
R-FS4/3TPV062	4		1=brown 2=- 3=blue 4=black	0.34mm <sup>2</sup>	42xφ0.10	5.0	PVC	<p>npn-normally open =yellow-green</p>
R-FS4/3TPV312				0.34mm <sup>2</sup>	42xφ0.10	5.0	PVC irradiated	
R-FS4/3TPY042				0.34mm <sup>2</sup>	42xφ0.10	5.0	PUR/PVC	
R-FS4TPV072	4		1=brown 2=white 3=blue 4=black	0.25mm <sup>2</sup>	32x φ 0.10	5.0	PVC	<p>npn-normally closed/open =yellow-green</p>
R-FS4TPV812				0.34mm <sup>2</sup>	42xφ0.10	5.0	PVC irradiated	
R-FS4TPY872				0.25mm <sup>2</sup>	32x φ 0.10	5.0	PUR/PVC	

Standard length: 2.0 m, 5.0 m, 7.5 m, 10.0 m. Other cable length or cable specifications on request.



# EURO-STYLE QUICK DISCONNECT CABLES

Part-No.	Poles	Face View female	Color Code	Conductors		Outer Jacket		Circuit LED-indicator
				Guage	Stranding	φ mm	Material	
R-FA4/3TPV062/A	4		1=brown 2=- 3=blue 4=black	0.34mm <sup>2</sup>	42xφ0.10	5.0	PVC	<p>A type pnp-normally open =yellow-green</p>
R-FA4/3TPV312/A							PVC irradiated	
R-FA4/3TPY042/A							PUR/PVC	
R-FA4/3TNV062/C	4		1=brown 2=- 3=blue 4=black	0.34mm <sup>2</sup>	42xφ0.10	5.0	PVC	<p>C type npn-normally open =yellow-green</p>
R-FA4/3TNV312/C							PVC irradiated	
R-FA4/3TNY042/C							PUR/PVC	
R-FA4TPV072/F	4		1=brown 2=white 3=blue 4=black	0.25mm <sup>2</sup>	32xφ0.10	5.0	PVC	<p>F type pnp-normally closed/open =yellow-green</p>
R-FA4TPV812/F				0.34mm <sup>2</sup>	42xφ0.10		PVC irradiated	
R-FA4TPY872/F				0.25mm <sup>2</sup>	32xφ0.10		PUR/PVC	
R-FA4TNV072/G	4		1=brown 2=white 3=blue 4=black	0.25mm <sup>2</sup>	32xφ0.10	5.0	PVC	<p>G type npn-normally closed/open =yellow-green</p>
R-FA4TNV812/G				0.34mm <sup>2</sup>	42xφ0.10		PVC irradiated	
R-FA4TNY872/G				0.25mm <sup>2</sup>	32xφ0.10		PUR/PVC	
R-FA4/3TPV062/H	4		1=brown 2=black 3=blue 4=-	0.34mm <sup>2</sup>	42xφ0.10	5.0	PVC	<p>H type pnp-normally closed =yellow-green</p>
R-FA4/3TPV312/H							PVC irradiated	
R-FA4/3TPY042/H							PUR/PVC	
R-FA4TPV072/P	4		1=brown 2=white 3=blue 4=black	0.25mm <sup>2</sup>	32xφ0.10	5.0	PVC	<p>P type pnp-normally closed/open =yellow-yellow-green</p>
R-FA4TPV812/P				0.34mm <sup>2</sup>	42xφ0.10		PVC irradiated	
R-FA4TPY872/P				0.25mm <sup>2</sup>	32xφ0.10		PUR/PVC	

Standard length: 2.0 m, 5.0 m, 7.5 m, 10.0 m. Other cable length or cable specifications on request.

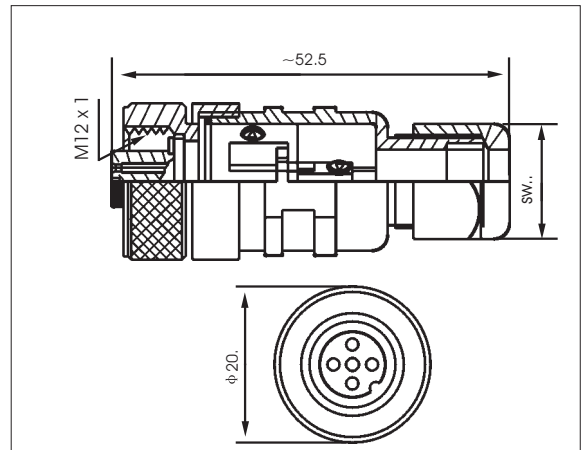
# EURO-STYLE QUICK DISCONNECT RECEPTACLES

## View



- Female Euro-style with locknut
- PA, self-extinguishing molded connector shell
- Convenient screw terminations

## Dimensional data



## Technical Data

Application Class: HNA acc. to DIN 40040  
(-40 °C / +90 °C / ≤ 100%rF)

Moulded Body: PA, self-extinguishing

Nominal Power: 4A

Nominal Voltage: 3+4poles, 125VAC/150VDC  
5poles, 30VAC/36VDC

Contact: CuZn, 2-4UM/CuSnZn

O-Ring: NBR

Body: PA, self-extinguishing  
Locknut: Nickel plated brass

Protection: IP 67  
Mode of Connection: Screw clamps

Insulation Group: C acc. to VDE 0110

Test Voltage: 3+4poles, 1,25 KV eff./60s.  
5poles, 1,0 KV eff./60s.

Insulation Resistance: > 10<sup>9</sup> Ω

## Catalog Number

Part-No	Poles	Face View female	Max. Wire section (mm <sup>2</sup> )	SW ...	Screw Joint for cable
R-FS4/3KZ/PG7	4		max. 0.75mm <sup>2</sup>	15	PG7 φ 4.0-6.0mm
R-FS4/3KZ/PG9				19	PG9 φ 6.0-8.0mm
R-FS4KZ/PG7	4		max. 0.75mm <sup>2</sup>	15	PG7 φ 4.0-6.0mm
R-FS4KZ/PG9				19	PG9 φ 6.0-8.0mm
R-FS5KZ/PG7	5		max. 0.75mm <sup>2</sup>	15	PG7 φ 4.0-6.0mm
R-FS5KZ/PG9				19	PG9 φ 6.0-8.0mm

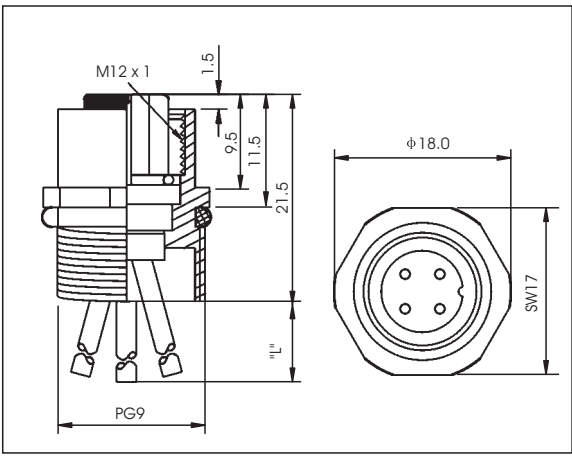
# EURO-STYLE QUICK DISCONNECT CABLES

## View



- Female Euro-style receptacle
- Front mounting, wire ends, thread chassis side PG9
- Back mounting with nut RMF9 (see page C-34)
- Solder contacts potted with epoxy

## Dimensional data



## Technical Data

Application Class:	HNA acc. to DIN 40040 (-25 °C / +90 °C / ≤ 100%rF)	O-Ring:	Viton
Moulded Body:	TPU, self-extinguishing	Protection:	IP 68
Nominal Power:	4A, 8 poles=1.5A	Contact Resistance:	≤ 5m Ω
Nominal Voltage:	3+4poles, 250VAC/300VDC 5poles, 30VAC/36VDC	Insulation Group:	C acc.to VDE 0110
Contact:	CuSn, brass, pre-nickeled and 0.3 microns gold-plated 8poles=CuZn, brass, pre-nickeled and 0.8 microns gold-plated	Test Voltage:	2.0 KV eff./60s. 8poles, 1.5 KV eff./60s.
Receptacle Housing:	Nickel plated brass	Insulation Resistance:	>10 <sup>9</sup> Ω
		CSA certified:	219967

## Catalog Number

Part-No	Poles	Face View female	Colour Code	Conductors		Conductor Insulation φ mm(single)
				Guage	Stranding	
R-FS4/3FZ/0.5/PG9	4		1=brown 2= - 3=blue 4=black	0.34mm <sup>2</sup>	42 x φ0.10	1.6
R-FS4FZ/0.5/PG9	4		1=brown 2=white 3=blue 4=black	0.34mm <sup>2</sup>	42 x φ0.10	1.6
R-FS5FZ/0.5/PG9	5		1=brown 2=white 3=blue 4=black 5=gray	0.34mm <sup>2</sup>	42 x φ0.10	1.6
				0.50mm <sup>2</sup>	16 x φ0.20	1.8
R-FS8FZ/0.5/PG9	8		1=white 2=brown 3=green 4=yellow 5=grey 6=pink 7=blue 8=red	0.25mm <sup>2</sup>	32 x φ0.10	1.6

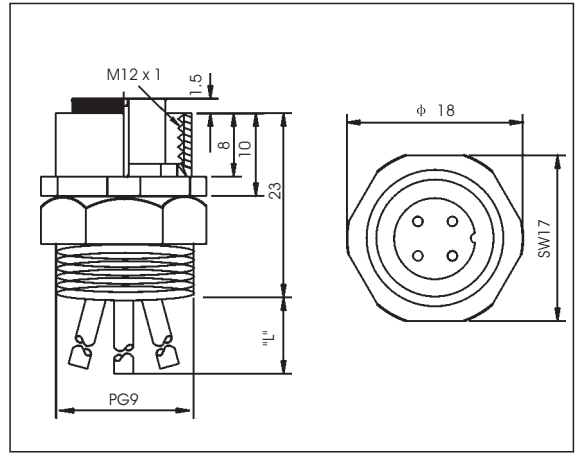
# EURO-STYLE QUICK DISCONNECT CABLES

## View



- Female Euro-style receptacle
- Front mounting, with positional insert wire ends, thread chassis side PG9
- Back mounting with nut RMF9(see page C-34)
- Solder contacts potted with epoxy

## Dimensional data



## Technical Data

Application Class: HNA acc. to DIN 40040  
 (-25 °C / +90 °C / ≤ 100%rF)

Moulded Body: TPU, self-extinguishing

Nominal Power: 4A

Nominal Voltage: 3+4poles, 250VAC/300VDC  
 5poles, 30VAC/36VDC

Contact: CuSn, brass, pre-nickel and  
 0.3 microns gold-plated

Contact Resistance: ≤ 5mΩ

Receptacle Housing: Nickel plated brass

O-Ring: Viton

Protection: IP 68

Insulation Group: Cacc.toVDE0110

Test Voltage: 2.0 KV eff./60s.

Insulation Resistance: > 10<sup>9</sup> Ω

CSA certified: 219967

## Catalog Number

Part-No	Poles	Face View female	Colour Code	Conductors		Conductor insulation φ mm(single)
				Guage	Stranding	
R-FS4/3FPZ/0.5/PG9	4		1=brown 2=- 3=blue 4=black	0.34mm <sup>2</sup>	42x φ 0.10	1.6
R-FS4FPZ/0.5/PG9	4		1=brown 2=white 3=blue 4=black	0.34mm <sup>2</sup>	42x φ 0.10	1.6
R-FS5FPZ/0.5/PG9	5		1=brown 2=white 3=blue 4=black 5=gray	0.34mm <sup>2</sup>	42x φ 0.10	1.6
				0.50mm <sup>2</sup>	16x φ 0.20	1.8
R-FS8FPZ/0.5/PG9	8		1=white 2=brown 3=green 4=yellow 5=grey 6=pink 5=blue 8=red	0.25mm <sup>2</sup>	32xφ0.10	1.6

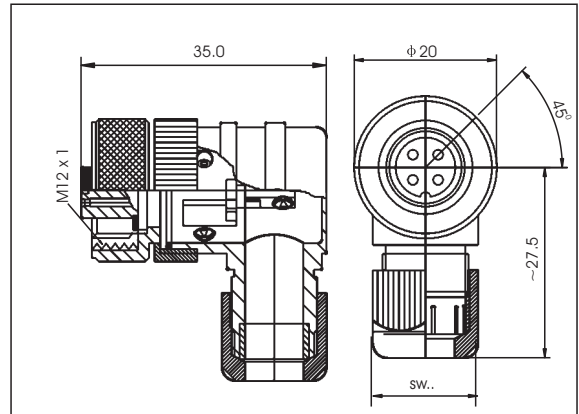
# EURO-STYLE QUICK DISCONNECT RECEPTACLES

## View



- Female Euro-style with locknut
- Right-angle style
- Nylon molded connector shell
- Convenient screw terminations

## Dimensional data



## Technical Data

Application Class: HNA acc. to DIN 40040  
 (-40 °C / +90 °C / ≤ 100%rF)

Moulded Body: PA self-extinguishing

Nominal Power: 4A

Nominal Voltage: 3+4poles, 125VAC/150VDC  
 5poles, 30VAC/36VDC

Contact: CuZn, 2-4UM CuSnZn

O-Ring: NBR

Body: PA, self-extinguishing

Locknut: Nickel plated brass

Protection: IP 67

Mode of Connection: Screw clamps

Insulation Group: C acc. to VDE 0110

Test Voltage: 3+4poles, 1,25 KV eff./60s.  
 5poles, 1,0 KV eff./60s.

Insulation Resistance: > 10<sup>9</sup> Ω

## Catalog Number

Part-No	Poles	Face View female	Max. Wire section	Screw Joint for cable	SW ...
R-FA4/3KZ/PG7	4		max. 0.75mm <sup>2</sup>	PG7 φ4.0-6.0mm	15
R-FA4/3KZ/PG9				PG9 φ6.0-8.0mm	19
R-FA4KZ/PG7	4		max. 0.75mm <sup>2</sup>	PG7 φ4.0-6.0mm	15
R-FA4KZ/PG9				PG9 φ6.0-8.0mm	19
R-FA5KZ/PG7	5		max. 0.75mm <sup>2</sup>	PG7 φ4.0-6.0mm	15
R-FA5KZ/PG9				PG9 φ6.0-8.0mm	19

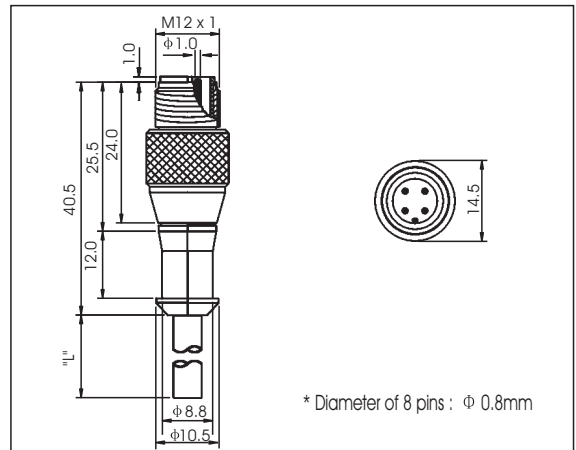
# EURO-STYLE QUICK DISCONNECT CABLES

## View



- Euro-style
- Screw locking with (auto) securing Safety nut
- With moulded Cable

## Dimensional data



## Technical Data

Application Class: HNA acc. to DIN 40040  
(-25 °C / +90 °C /  $\leq$  100%rF)

Moulded Body: TPU, self-extinguishing

Nominal Power: 4A , 8 poles=1.5A

Nominal Voltage: 3+4poles250VAC/300VDC  
5+8poles, 30VAC/36VDC

Contact: CuZn, pre-nickel and  
0.8 microns gold-plated

Body: TPU, self-extinguishing

Securing Safety Nut: Nickel plated brass

Protection: IP 68

Insulation Group: C acc.to VDE 0110

Test Voltage: 3+4poles, 2.0 KV eff./60s.  
5+8poles, 1.5 KV eff./60s.

Insulation Resistance:  $> 10^9 \Omega$

CSA certified: 219967

## Catalog Number

Part-No	Poles	Face View male	Color Code	Conductors		Outer Jacket	
				Guage	Stranding	$\phi$ mm	Material
R-MS3TZV062	3		1=brown 3=blue 4=black	0.34mm <sup>2</sup>	42 x $\phi$ 0.10	5.0	PVC
R-MS3TZV312				0.34mm <sup>2</sup>	42 x $\phi$ 0.10		PVC irradiated
R-MS3TZY042				0.34mm <sup>2</sup>	42 x $\phi$ 0.10		PUR/PVC
R-MS4/3TZV062	4		1=brown 2= - 3=blue 4=black	0.34mm <sup>2</sup>	42 x $\phi$ 0.10	5.0	PVC
R-MS4/3TZV312				0.34mm <sup>2</sup>	42 x $\phi$ 0.10		PVC irradiated
R-MS4/3TZY042				0.34mm <sup>2</sup>	42 x $\phi$ 0.10		PUR/PVC
R-MS4TZV072	4		1=brown 2=white 3=blue 4=black	0.25mm <sup>2</sup>	32 x $\phi$ 0.10	5.0	PVC
R-MS4TZV812				0.34mm <sup>2</sup>	42 x $\phi$ 0.10		PVC irradiated
R-MS4TZY872				0.25mm <sup>2</sup>	32 x $\phi$ 0.10		PUR/PVC
R-MS5TZU822	5		1=brown 2=white 3=blue 4=black 5=gray	0.50mm <sup>2</sup>	16 x $\phi$ 0.10	6.0	PUR
R-MS8TZU092	8		1=white 2=brown 3=green 4=yellow 5=grey 6=pink 7=blue 8=red	0.25mm <sup>2</sup>	32 x $\phi$ 0.10	6.0	PUR

Standard length: 2.0 m, 5.0 m, 7.5 m, 10.0 m. Other cable length or cable specifications on request.

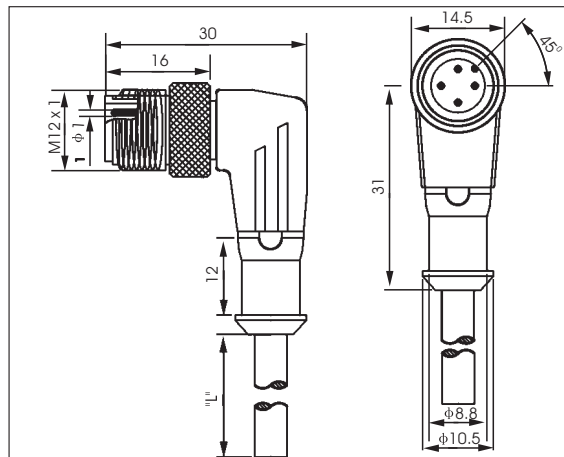
# EURO-STYLE QUICK DISCONNECT CABLES

## View



- Euro-style
- Right-angle style
- Screw locking with (auto) securing safety nut
- With moulded cable

## Dimensional data



## Technical Data

Application Class: HNA acc. to DIN 40040  
 (-25 °C +90 °C / ≤ 100%rF)

Moulded Body: TPU, self-extinguishing

Nominal Power: 4A

Nominal Voltage: 3+4poles, 250VAC/300VDC  
 5poles, 30VAC/36VDC

Contact: CuZn, pre-nickel and  
 0.8 microns gold-plated

Body : TPU, self-extinguishing

Securing Safety Nut: Nickel plated brass

Protection: IP 68

Insulation Resistance: C acc.to VDE 0110

Test Voltage: 3+4poles, 2.0 KV eff./60s.  
 5poles, 1.5 KV eff./60s.

Insulation Resistance: > 10<sup>9</sup> Ω

CSA certified: 219967

## Catalog Number

Part-No	Poles	Face View male	Color Code	Conductors		Outer Jacket	
				Guage	Stranding	φ mm	Material
R-MA3TZV062	3		1=brown 3=blue 4=black	0.34mm <sup>2</sup>	42x φ 0.10	5.0	PVC
R-MA3TZV312							PVC irradiated
R-MA3TZY042							PUR/PVC
R-MA4/3TZV062	4		1=brown 2=- 3=blue 4=black	0.34mm <sup>2</sup>	42x φ 0.10	5.0	PVC
R-MA4/3TZV312							PVC irradiated
R-MA4/3TZY042							PUR/PVC
R-MA4TZV072	4		1=brown 2=white 3=blue 4=black	0.25mm <sup>2</sup>	32x φ 0.10	5.0	PVC
R-MA4TZV812				0.34mm <sup>2</sup>	42x φ 0.10	5.0	PVC irradiated
R-MA4TZY872				0.25mm <sup>2</sup>	32x φ 0.10	5.0	PUR/PVC
R-MA5TZU822	5		1=brown 2=white 3=blue 4=black 5=gray	0.50mm <sup>2</sup>	16x φ 0.20	6.0	PUR

Standard length: 2.0 m, 5.0 m, 7.5 m, 10.0 m. Other cable length or cable specifications on request.

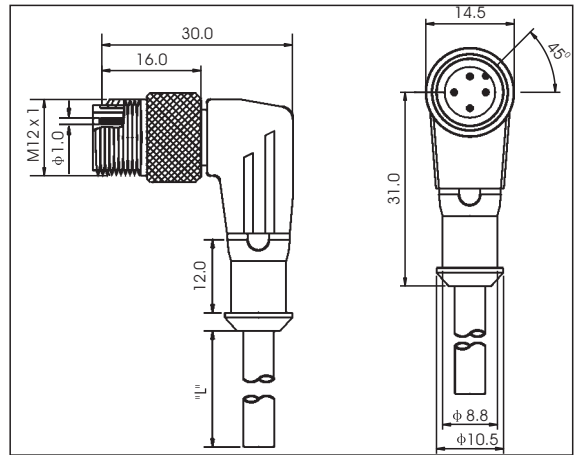
# EURO-STYLE QUICK DISCONNECT CABLES

## View



- Male Euro-style
- Right-angle style
- With built-in LED
- Screw locking with (auto) securing safety nut
- With moulded cable

## Dimensional data



## Technical Data

Application Class: HNA acc. to DIN 40040  
(-25 °C +90 °C / ≤100%rF)

Moulded Body: TPU, self-extinguishing

Nominal Power: 4A

Nominal Voltage: 3+4poles,250VAC/300VDC

5poles,30VAC/36VDC

Contact: CuZn, pre-nickeled and  
0.8 microns gold-plated

Body : TPU, self-extinguishing

Securing Safety Nut: Nickel plated brass

Protection: IP 68

Insulation Resistance: C acc.to VDE 0110

Test Voltage: 3+4poles,2.0 KV eff./60s.

5poles,1.5 KV eff./60s.

Insulation Resistance: > 10<sup>9</sup>Ω

CSA certified: 219967

## Catalog Number

Part-No	Poles	Face View male	Color Code	Conductors		Outer Jacket	
				Guage	Stranding	φ mm	Material
R-MA3TPV062	3		1=brown 3=blue 4=black	0.34mm <sup>2</sup>	42xφ0.10	5.0	PVC
R-MA4/3TPV062	4		1=brown 2=- 3=blue 4=black	0.34mm <sup>2</sup>	42xφ0.10	5.0	PVC
R-MA3TNV062	3		1=brown 3=blue 4=black	0.34mm <sup>2</sup>	42xφ0.10	5.0	PVC
R-MA4/3TNV062	4		1=brown 2=- 3=blue 4=black	0.34mm <sup>2</sup>	42xφ0.10	5.0	PVC
R-MA4/3TNV312	4		1=brown 2=- 3=blue 4=black	0.34mm <sup>2</sup>	42xφ0.10	5.0	PVC irradiated
R-MA4/3TNV042							PUR/PVC

Standard length: 2.0 m, 5.0 m, 7.5 m, 10.0 m. Other cable length or cable specifications on request.

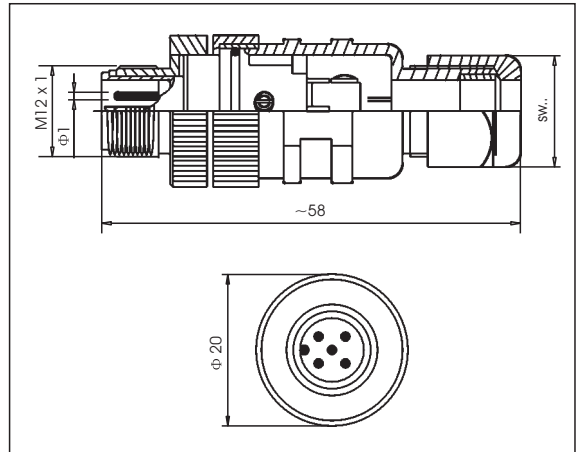
# EURO-STYLE QUICK DISCONNECT RECEPTACLES

## View



- Male Euro-style with locknut
- Nylon molded connector shell
- Convenient screw terminations

## Dimensional data



## Technical Data

Application Class: HNA acc. to DIN 40040  
 (-25 °C / +90 °C /  $\leq 100\%rF$ )

Moulded Body: PA, self-extinguishing

Nominal Power: 4A

Nominal Voltage: 3+4poles, 125VAC/150VDC  
 5poles, 30VAC/36VDC

Contact: CuSn, 2-4UM CuSnZn

O-Ring: NBR

Body: PA, self-extinguishing

Locknut: Nickel plated brass

Protection: IP 67

Mode of Connection: Screw clamps

Insulation Group: Cacc.to VDE 0110

Test Voltage: 3+4poles, 1,25 KV eff./60s.  
 5poles, 1,0 KV eff./60s.

Insulation Resistance:  $> 10^9 \Omega$

## Catalog Number

Part-No	Poles	Face View male	Max. Wire section	Screw Joint for cable	SW ...
R-MS3KZ/PG7	3		max. 0.75mm <sup>2</sup>	PG7 $\phi 4.0-6.0\text{mm}$	15
R-MS3KZ/PG9				PG9 $\phi 6.0-8.0\text{mm}$	19
R-MS4KZ/PG7	4		max. 0.75mm <sup>2</sup>	PG7 $\phi 4.0-6.0\text{mm}$	15
R-MS4KZ/PG9				PG9 $\phi 6.0-8.0\text{mm}$	19
R-MS5KZ/PG7	5		max. 0.75mm <sup>2</sup>	PG7 $\phi 4.0-6.0\text{mm}$	15
R-MS5KZ/PG9				PG9 $\phi 6.0-8.0\text{mm}$	19

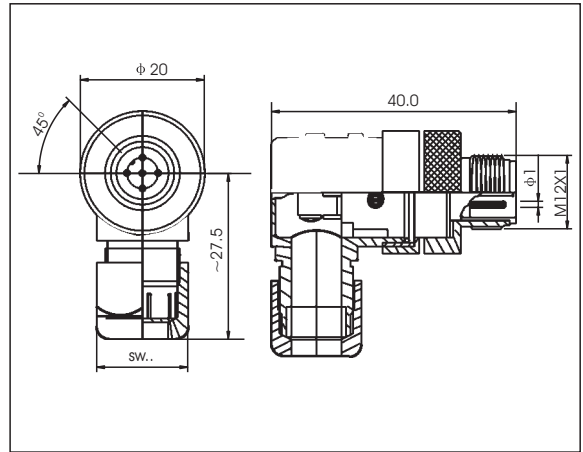
# EURO-STYLE QUICK DISCONNECT RECEPTACLES

## View



- Male Euro-style with locknut
- Right-angle type
- Nylon molded connector shell
- Convenient screw terminations

## Dimensional data



## Technical Data

Application Class: HNA acc. to DIN 40040  
 (-25 °C +90 °C / ≤ 100%rF)  
 Moulded Body: PA, self-extinguishing  
 Nominal Power: 4A  
 Nominal Voltage: 3+4poles, 125VAC/150VDC  
 5poles, 30VAC/36VDC  
 Contact: CuZn, 2-4UM/CuSnZn  
 O-Ring: NBR

Body: PA, self-extinguishing  
 Locknut: Nickel plated brass  
 Protection: IP 67  
 Mode of Connection: Screw clamps  
 Test Voltage: 3+4poles, 1,25 KV eff./60s.  
 5poles, 1,0 KV eff./60s.  
 Insulation Group: C acc.to VDE0110  
 Insulation Resistance: > 10<sup>9</sup> Ω

## Catalog Number

Part-No	Poles	Face View male	Max. Wire section	Screw Joint for cable	SW ...
R-MA3KZ/PG7	3		max. 0.75mm <sup>2</sup>	PG7 φ4.0-6.0mm	15
R-MA3KZ/PG9				PG9 φ6.0-8.0mm	19
R-MA4KZ/PG7	4		max. 0.75mm <sup>2</sup>	PG7 φ4.0-6.0mm	15
R-MA4KZ/PG9				PG9 φ6.0-8.0mm	19
R-MA5KZ/PG7	5		max. 0.75mm <sup>2</sup>	PG7 φ4.0-6.0mm	15
R-MA5KZ/PG9				PG9 φ6.0-8.0mm	19

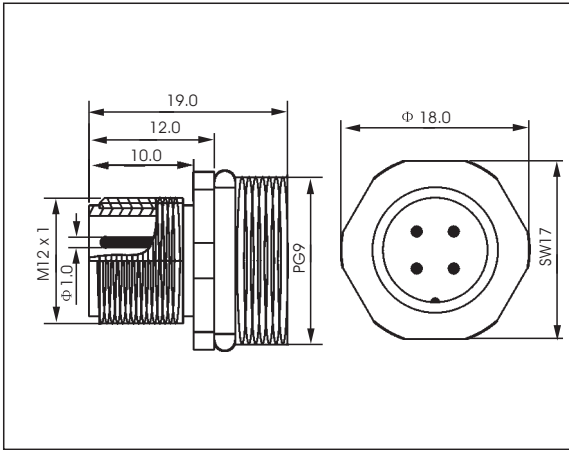
# EURO-STYLE QUICK DISCONNECT RECEPTACLES

## View



- Euro-style receptacles
- Front mounting, thread chassis side PG9
- Back mounting with nut RMF9(see page C-34)
- Attention !to ensure mechanical stability and impermeability The wire connections must be epoxy potted after cable assembly

## Dimensional data



## Technical Data

Application Class: HNA acc. to DIN 40040  
 (-25 °C /+90 °C / ≤ 100%rF)

Moulded Body: PA , self-extinguishing

Nominal Power: 4A

Nominal Voltage: 3+4poles, 250VAC/300VDC  
 5poles, 30VAC/36VDC

Contact: CuZn, brass, pre-nickel and  
 0.8 microns gold-plated

Chassis Plug Housing: Nickel plated brass

O-Ring: Viton

Protection: IP 68

Insulation Group: Cacc.toVDE0110

Test Voltage: 2.0 KV eff./60s.

Insulation Resistance: > 10<sup>9</sup>Ω

CSA certified: 219967

## Catalog Number

Part-No	Poles	Face View male	Color Code	Outer Jacket φ mm
R-MS3FZ/PG9	3		—	—
R-MS4FZ/PG9	4		—	—
R-MS5FZ/PG9	5		—	—
R-MS8FZ/PG9	8		—	—

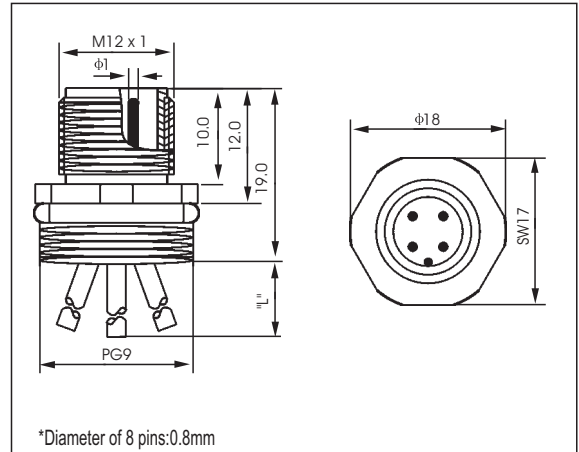
# EURO-STYLE QUICK DISCONNECT CABLES

## View



- Euro-style receptacles
- Front mounting, wire Ends, thread chassis side PG9
- Back mounting with nut RMF9(see page C-34)
- Solder contacts potted with epoxy

## Dimensional data



## Technical Data

Application Class: HNA acc. to DIN 40040  
 (-25 °C / +90 °C / ≤ 100%rF)

Moulded Body: PA, self-extinguishing  
 8poles TPU, Self-extinguishing

Nominal Power: 4A , 8 poles=1.5A

Nominal Voltage: 3+4poles,250VAC/300VDC  
 5+8poles,30VAC/36VDC

Contact: CuZn, pre-nickel and 0.8 microns gold-plated

Receptacle Housing: Nickel plated brass

O-Ring: Viton

Protection: IP 68

Insulation Group: Cacc.toVDE0110

Test Voltage: 2.0 KV eff./60s.  
 8poles=1.5 KV eff./60s.

Insulation Resistance: > 10<sup>9</sup>Ω

CSA certified: 219967

## Catalog Number

Part-No	Poles	Face View male	Color Code	Conductors		Conductor insulation φ mm(single)
				Guage	Stranding	
R-MS3FZ/0.5/PG9	3		1=brown 3=blue 4=black	0.34mm <sup>2</sup>	42x φ 0.10	1.6
R-MS4/3FZ/0.5/PG9	4		1=brown 2= - 3=blue 4=black	0.34mm <sup>2</sup>	42x φ 0.10	1.6
R-MS4FZ/0.5/PG9	4		1=brown 2=white 3=blue 4=black	0.34mm <sup>2</sup>	42x φ 0.10	1.6
R-MS5FZ/0.5/PG9	5		1=brown 2=white 3=blue 4=black 5=gray	0.34mm <sup>2</sup>	42x φ 0.10	1.6
				0.50mm <sup>2</sup>	16x φ 0.20	1.8
R-MS8FZ/0.5/PG9	8		1=white 2=brown 3=green 4=yellow 5=grey 6=pink 7=blue 8=red	0.25mm <sup>2</sup>	32x φ 0.10	1.6

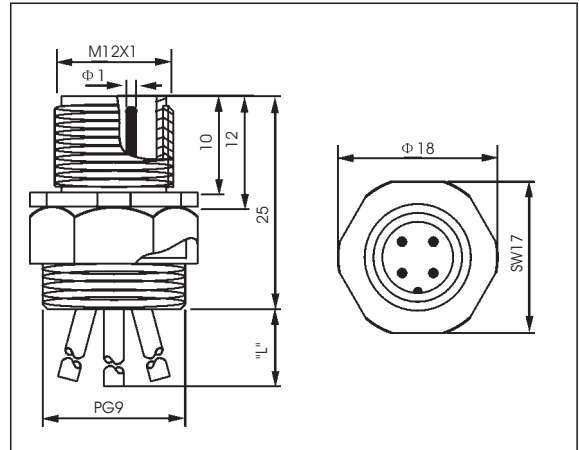
# EURO-STYLE QUICK DISCONNECT CABLES

## View



- Euro-style receptacle
- Front mounting, wire Ends, positionable insert ,thread chassis side PG9
- Solder contacts potted with epoxy
- Back mounting with nut RMF9 (see page C-34)

## Dimensional data



## Technical Data

Application Class: HNA acc. to DIN 40040  
(-25 °C /+90 °C / ≤ 100%rF)

Moulded Body: PA, self-extinguishing

Nominal Power: 4A

Nominal Voltage: 3+4poles, 250VAC/300VDC  
5poles, 30VAC/36VDC

Contact: CuZn, pre-nickel and  
0.8 microns gold-plated

Receptacle Housing: Nickel plated brass

O-Ring: Viton

Protection: IP 68

Insulation Group: Cacc.toVDE0110

Test Voltage: 2.0 KV eff./60s.

Insulation Resistance: >10<sup>9</sup> Ω

CSA certified: 219967

## Catalog Number

Part-No	Poles	Face View male	Color Code	Conductors		Conductor insulation Φ mm(single)
				Guage	Stranding	
R-MS3FPZ/0.5/PG9	3		1=brown 3=blue 4=black	0.34mm <sup>2</sup>	42x Φ 0.10	1.6
R-MS4/3FPZ/0.5/PG9	4		1=brown 2= - 3=blue 4=black	0.34mm <sup>2</sup>	42x Φ 0.10	1.6
R-MS4FPZ/0.5/PG9	4		1=brown 2=white 3=blue 4=black	0.34mm <sup>2</sup>	42x Φ 0.10	1.6
R-MS5FPZ/0.5/PG9	5		1=brown 2=white 3=blue 4=black 5=gray	0.34mm <sup>2</sup>	42x Φ 0.10	1.6
				0.50mm <sup>2</sup>	16x Φ 0.20	1.8
R-MS8FPZ/0.5/PG9	8		1=white 2=brown 3=green 4=yellow 5=grey 6=pink 7=blue 8=red	0.25mm <sup>2</sup>	32 x Φ 0.10	1.6

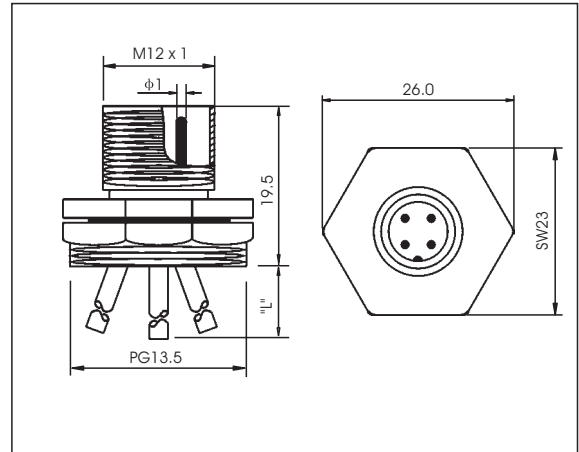
# EURO-STYLE QUICK DISCONNECT CABLES

## View



- Euro-style receptacle back mounting with nut RMF13.5 (see page C-34)
- Front mounting, wire ends, thread chassis side PG13.5
- Solder contacts potted with epoxy

## Dimensional data



## Technical Data

Application Class: HNA acc. to DIN 40040  
 (-25 °C / +90 °C / ≤ 100%rF)

Moulded Body: PA, self-extinguishing

Nominal Power: 4A

Nominal Voltage: 3+4poles, 250VAC/300VDC  
 5poles, 30VAC/36VDC

Contact: CuZn, pre-nickel and  
 0.8 microns gold-plated

Receptacle Housing: Nickel plated brass

O-Ring: Viton

Protection: IP 68

Insulation Group: Cacc.toVDE0110

Test Voltage: 2.0 KV eff./60s.

Insulation Resistance: > 10<sup>9</sup>Ω

CSA certified: 219967

## Catalog Number

Part-No	Poles	Face View male	Color Code	Conductors		Conductor insulation φ mm(single)
				Guage	Stranding	
R-MS3FZ/0.5/PG13.5	3		1=brown 3=blue 4=black	0.34mm <sup>2</sup>	42x φ 0.10	1.6
R-MS4/3FZ/0.5/PG13.5	4		1=brown 2= - 3=blue 4=black	0.34mm <sup>2</sup>	42x φ 0.10	1.6
R-MS4FZ/0.5/PG13.5	4		1=brown 2=white 3=blue 4=black	0.34mm <sup>2</sup>	42x φ 0.10	1.6
R-MS5FZ/0.5/PG13.5	5		1=brown 2=white 3=blue 4=black 5=gray	0.34mm <sup>2</sup>	42x φ 0.10	1.6
				0.50mm <sup>2</sup>	16x φ 0.20	1.8
R-MS8FZ/0.5/PG13.5	8		1=white 2=brown 3=green 4=yellow 5=grey 6=pink 7=blue 8=red	0.25mm <sup>2</sup>	32x φ 0.10	1.6

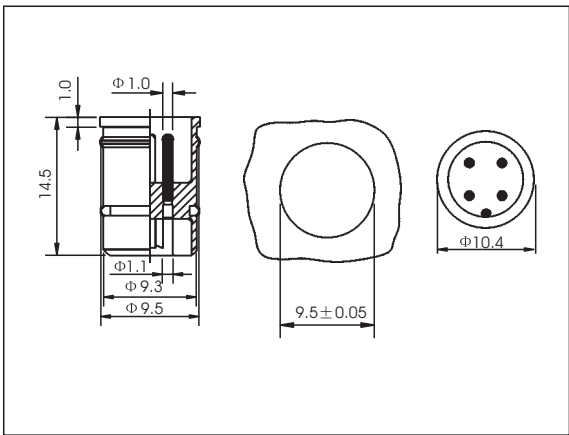
# EURO-STYLE QUICK DISCONNECT RECEPTACLES

## View



- Euro-style plug insert for proximity switch M12
- Viton o-ring seal

## Dimensional data



## Technical Data

Application Class:	HLE acc. to DIN 40040 (-25 °C / +110 °C / ≤ 75%rF)	Mode of Connection:	Solder types
Moulded Body:	PA, self-extinguishing	O-Ring:	Viton
Nominal Voltage:	60VAC/75VDC 250VAC/300VDC (Solder Contacts potted with epoxy)	Protection:	IP 68
Contact:	CuZn, brass, pre-nickeled and 0.8 microns gold-plated	Test Voltage:	4poles 2.0 KV eff./60s. 5poles 1.5 KV eff./60s.
Nominal Power:	4A	Insulation Resistance:	> 10 <sup>9</sup> Ω
		CSA certified:	219967

## Catalog Number

Part-No	Poles	Face View male	Shaft- φ mm	Ventilation hole φ mm
R-MS4	4		9.5 mm/9.3mm	—
R-MS5	5		9.5 mm/9.3mm	—

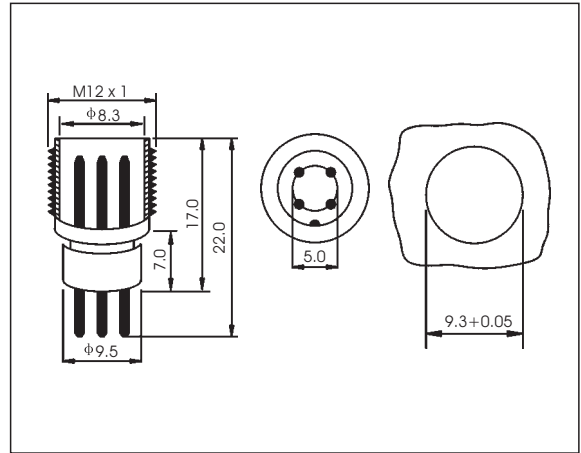
# EURO-STYLE QUICK DISCONNECT RECEPTACLES

## View



- Euro-style plug insert for proximity switch M12
- Viton o-ring seal

## Dimensional data



## Technical Data

Application Class: HLE acc. to DIN 40040  
(-25 °C / +110 °C / ≤ 100%rF)

Moulded Body: PA, self-extinguishing

Nominal Voltage: 60VAC/75VDC  
250VAC/300VDC (Solder Contacts potted with epoxy)

Contact: CuZn, brass ,pre-nickeled and 0.8 microns gold-plated

Nominal Power: 4A

Mode of Connection; Solder types

O-Ring: Viton

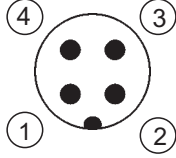
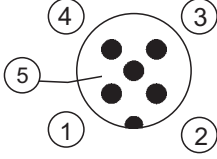
Protection IP 68

Test Voltage: 4poles 2.0 KV eff./60s.  
5poles 1.5 KV eff./60s.

Insulation Resistance: > 10<sup>9</sup>Ω

CSA certified: 219967

## Catalog Number

Part-No	Poles	Face View male	Shaft- $\phi$ mm	Ventilation Hole $\phi$ mm
R-MS4/M12	4		9.5 mm/9.3mm	—
R-MS5/M12	5		9.5 mm/9.3mm	—

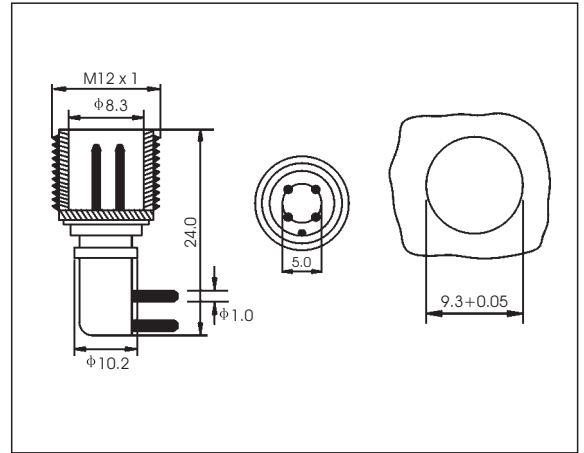
# EURO-STYLE QUICK DISCONNECT RECEPTACLES

## View



- Euro-style plug insert for proximity switch M12
- Viton O-ring seal

## Dimensional data



## Technical Data

Application Class: HLE acc. to DIN 40040  
 (-25 °C / +110 °C / ≤ 100%rF)

Moulded Body: PA, self-extinguishing

Nominal Voltage: 60VAC/75VDC  
 250VAC/300VDC (Solder contacts potted with epoxy)

Contact: CuZn, brass, pre-nickel and 0.8 microns gold-plated

Nominal Power: 4A

Mode of Connection: Solder types

O-Ring: Viton

Protection: IP 68

Test Voltage: 4poles 2.0 KV eff./60s.  
 5poles 1.5 KV eff./60s.

Insulation Resistance: > 10<sup>9</sup>Ω

CSA certified: 219967

## Catalog Number

Part-No	Poles	Face View male	Shaft- $\phi$ mm	Ventilation Hole $\phi$ mm
R-MA4/M12	4		9.5 mm/9.3mm	—
R-MA5/M12	5		9.5 mm/9.3mm	—

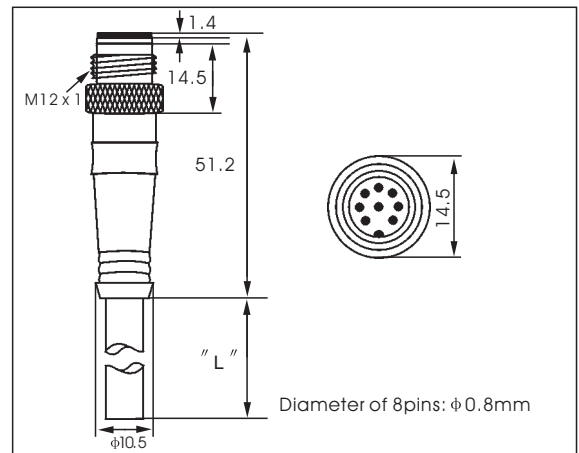
# EURO-STYLE QUICK DISCONNECT CABLES

## View



- Euro-style
- Screw locking with (auto) securing Safety nut
- With shielded cable

## Dimensional data



## Technical Data

Application Class: HNA acc. to DIN 40040  
 (-25 °C / +90 °C / ≤ 100%rF)

Moulded Body: TPU, self-extinguishing

Nominal Power: 8 poles=1.5A

Nominal Voltage: 3+4poles, 250VAC/300VDC  
 5+8poles, 30VAC/36VDC

Contact: CuZn, pre-nickeled and  
 0.8 microns gold-plated

Body: TPU, self-extinguishing

Securing Safety Nut: Nickel plated brass

Protection: IP 68

Insulation Group: C acc.to VDE 0110

Test Voltage: 3+4poles, 2.0 KV eff./60s.  
 5+8poles, 1.5 KV eff./60s.

Insulation Resistance: >10<sup>9</sup> Ω

CSA certified: 219967

## Catalog Number

Part-No	Poles	Face View male	Color Code	Conductors		Outer Jacket	
				Guage	Stranding	φ mm	Material
R-MS8TZV962	8		1=white 2=brown 3=green 4=yellow 5=grey 6=pink 7=blue 8=red	0.50mm <sup>2</sup>	65 x φ0.10	7.2	PVC
R-MS8TZU1022	8		1=white 2=brown 3=green 4=yellow 5=grey 6=pink 7=blue 8=red	0.50mm <sup>2</sup>	65 x φ0.10	7.2	PUR

Standard length: 2.0 m, 5.0 m, 7.5 m, 10.0 m. Other cable length or cable specifications on request.

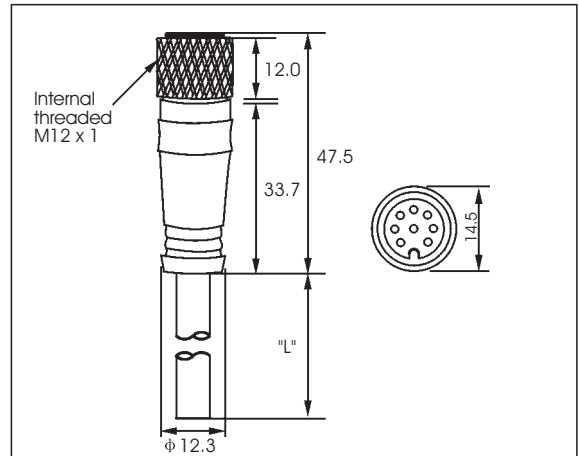
# EURO-STYLE QUICK DISCONNECT CABLES

## View



- Female Euro-style
- Screw locking with (auto) securing safety nut
- With shielded cable

## Dimensional data



## Technical Data

Application Class: HNA acc. to DIN 40040  
 (-25°C / +90°C / ≤ 100%rF)

Moulded Body: TPU, self-extinguishing

Nominal Power: 8 poles=1.5A

Nominal Voltage: 3+4poles, 250VAC/300VDC  
 5+8poles, 30VAC/36VDC

Contact: CuZn, brass, pre-nickeled and 0.3 microns gold-plated  
 8poles=CuZn, pre-nickeled and 0.8 microns gold-plated

Body: TPU, self-extinguishing

Securing Safety Nut: Nickel plated brass

O-Ring: Viton

Protection: IP 68

Insulation Group: C acc.to VDE 0110

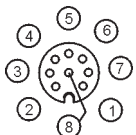
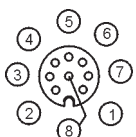
Test Voltage: 3+4poles, 2.0 KV eff./60s.  
 5+8poles, 1.5 KV eff./60s.

Contact Resistance: ≤ 5mΩ

Insulation Resistance: >10<sup>9</sup>Ω

CSA certified: 219967

## Catalog Number

Part-No	Poles	Face View female	Color Code	Conductors		Outer Jacket	
				Guage	Stranding	φ mm	Material
R-FS8TZV962	8		1=white 2=brown 3=green 4=yellow 5=grey 6=pink 7=blue 8=red	0.50mm <sup>2</sup>	65 x φ0.10	7.2	PVC
R-FS8TZU1022	8		1=white 2=brown 3=green 4=yellow 5=grey 6=pink 7=blue 8=red	0.50mm <sup>2</sup>	65 x φ0.10	7.2	PUR

Standard length: 2.0 m, 5.0 m, 7.5 m, 10.0 m. Other cable length or cable specifications on request.

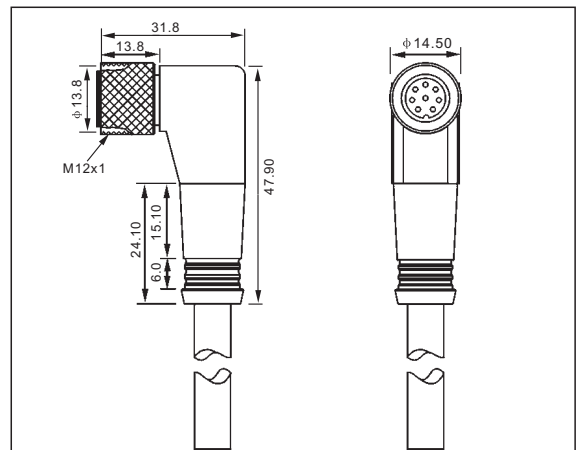
# EURO-STYLE QUICK DISCONNECT CABLES

## View



- Female Euro-style
- Right-angle
- Screw locking with (auto) securing Safety nut
- With shielded Cable

## Dimensional data



## Technical Data

Application Class: HNA acc. to DIN 40040  
 (-25 °C / +90 °C / ≤ 100%rF)

Moulded Body: TPU, self-extinguishing

Nominal Power: 8 poles=1.5A

Nominal Voltage: 3+4poles, 250VAC/300VDC  
 5+8poles, 30VAC/36VDC

Contact: CuZn, pre-nickeled and  
 0.8 microns gold-plated

Body: TPU, self-extinguishing

Securing Safety Nut: Nickel plated brass

Protection: IP 68

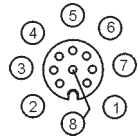
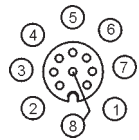
Insulation Group: C acc.to VDE 0110

Test Voltage: 3+4poles, 2.0 KV eff./60s.  
 5+8poles, 1.5 KV eff./60s.

Insulation Resistance: >10<sup>9</sup> Ω

CSA certified: 219967

## Catalog Number

Part-No	Poles	Face View female	Color Code	Conductors		Outer Jacket	
				Guage	Stranding	φ mm	Material
R-FA8TZV962	8		1=white 2=brown 3=green 4=yellow 5=grey 6=pink 7=blue 8=red	0.50mm <sup>2</sup>	65 x φ0.10	7.2	PVC
R-FA8TZU1022	8		1=white 2=brown 3=green 4=yellow 5=grey 6=pink 7=blue 8=red	0.50mm <sup>2</sup>	65 x φ0.10	7.2	PUR

Standard length: 2.0 m, 5.0 m, 7.5 m, 10.0 m. Other cable length or cable specifications on request.

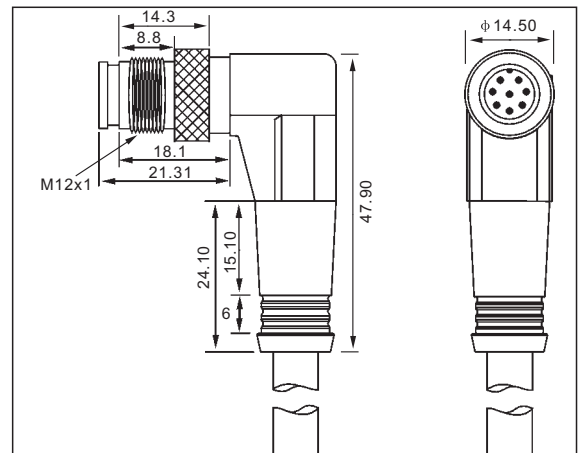
# EURO-STYLE QUICK DISCONNECT CABLES

## View



- Euro-style
- Right-angle style
- Screw locking with (auto) securing Safety nut
- With shielded Cable

## Dimensional data



## Technical Data

Application Class: HNA acc. to DIN 40040  
 (-25 °C / +90 °C / ≤ 100%rF)

Moulded Body: TPU, self-extinguishing

Nominal Power: 8 poles=1.5A

Nominal Voltage: 3+4poles, 250VAC/300VDC  
 5+8poles, 30VAC/36VDC

Contact: CuZn, pre-nickeled and  
 0.8 microns gold-plated

Body: TPU, self-extinguishing

Securing Safety Nut: Nickel plated brass

Protection: IP 68

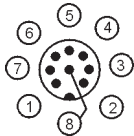
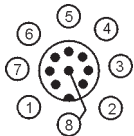
Insulation Group: C acc.to VDE 0110

Test Voltage: 3+4poles, 2.0 KV eff./60s.  
 5+8poles, 1.5 KV eff./60s.

Insulation Resistance: >10<sup>9</sup> Ω

CSA certified: 219967

## Catalog Number

Part-No	Poles	Face View male	Color Code	Conductors		Outer Jacket	
				Guage	Stranding	φ mm	Material
R-MA8TZV962	8		1=white 2=brown 3=green 4=yellow 5=grey 6=pink 7=blue 8=red	0.50mm <sup>2</sup>	65 x φ0.10	7.2	PVC
R-MA8TZU1022	8		1=white 2=brown 3=green 4=yellow 5=grey 6=pink 7=blue 8=red	0.50mm <sup>2</sup>	65 x φ0.10	7.2	PUR

Standard length: 2.0 m, 5.0 m, 7.5 m, 10.0 m. Other cable length or cable specifications on request.

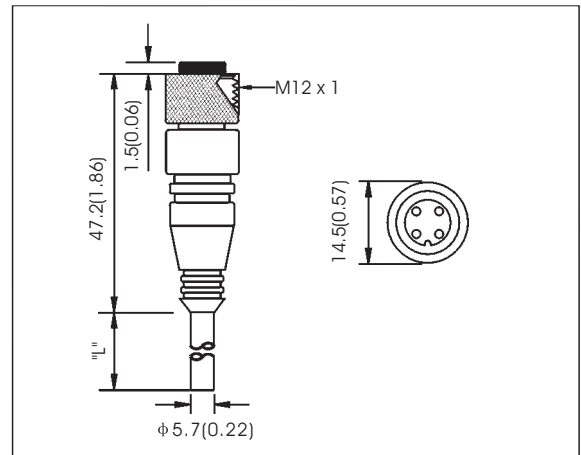
# EURO-STYLE QUICK DISCONNECT CABLES

## View



- Female Euro-style
- Screw locking with (auto) securing safety nut
- With moulded cable

## Dimensional data



## Technical Data

Application Class: HNA acc. to DIN 40040  
(-25 °C / +90 °C /  $\leq 100\%rF$ )

Moulded Body: PVC, self-extinguishing

Nominal Power: 4A(CSA=3A), 8 poles=1.5A

Nominal Voltage: 3+4poles, 250VAC/300VDC  
5+8poles, 30VAC/36VDC

Contact: CuSn, brass, pre-nickel and 0.3 microns gold-plated  
8poles=CuZn, pre-nickel and 0.8 microns gold-plated

Body: PVC, self-extinguishing

Securing Safety Nut: Nickel plated brass

O-Ring: Viton

Protection: IP 68

Insulation Group: C acc.to VDE 0110

Test Voltage: 3+4poles, 2.0 KV eff./60s.  
5+8poles, 1.5 KV eff./60s.

Contact Resistance:  $\leq 5m\Omega$

Insulation Resistance:  $>10^9\Omega$

CSA certified: 219967

## Catalog Number

Part-No	Poles	Face View female	Color Code	Conductors		Outer Jacket	
				Guage	Stranding	$\phi$ mm	Material
R-FS4/3TZV972	4		1=brown 2=- 3=blue 4=black	0.25mm <sup>2</sup>	19 x $\phi$ 0.12 x 1C	5.7	PVC
				0.93mm <sup>2</sup>	19 x $\phi$ 0.25 x 2C		

Standard length: 2.0 m and 5.0 m. 7.5m, 10.0m. Other cable length or cable specifications on request.

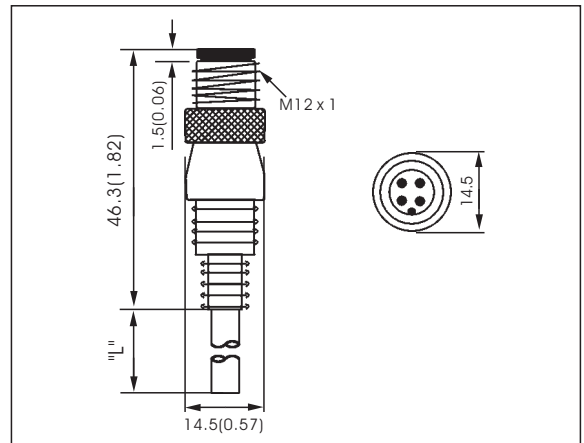
# EURO-STYLE QUICK DISCONNECT CABLES

## View



- Euro-style
- Screw locking with (auto) securing Safety nut
- With moulded Cable

## Dimensional data



## Technical Data

Application Class: HNAcc. to DIN 40040  
(-25°C/+90°C/≤100%rF)

Moulded Body: PVC, self-extinguishing

Nominal Power: 4A, 8 poles=1.5A

Nominal Voltage: 3+4 poles 250VAC/300VDC

Body: TPU, self-extinguishing

Contact: CuZn, pre-nickeled and  
0.8 microns gold-plated

Securing Safety Nut : Nickel plated brass

Protection: IP 68

Insulation Group: C acc.to VDE 0110

Test Voltage: 3+4 poles, 2.0 KV eff./60s.  
5+8 poles, 1.5 KV eff./60s.

Insulation Resistance:  $>10^9 \Omega$

CSA certified: 219967

## Catalog Number

Part-No	Poles	Face View male	Color Code	Conductors		Outer Jacket	
				Guage	Stranding	φ mm	Material
R-MS4TZV702	4		1=brown 2=white 3=blue 4=black	0.34mm <sup>2</sup>	7 x φ0.25	6.2	PVC

Standard length: 2.0 m and 5.0 m. Other cable length or cable specifications on request.

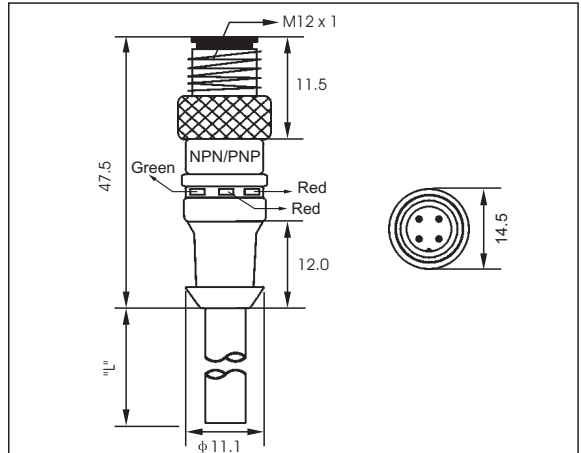
# EURO-STYLE QUICK DISCONNECT CABLES

## View



- Male Euro-style
- With built-in LEDs
- Screw locking with (auto) securing Safety nut
- With moulded Cable

## Dimensional data



## Technical Data

Application Class: HNA acc. to DIN 40040  
(-25 °C / +90 °C / ≤ 100%rF)

Moulded Body: TPU, self-extinguishing

Nominal Power: 4A(CSA=3A)

Nominal Voltage: 10-30VDC

Contact: CuZn, brass, pre-nickeled and 0.3 microns gold-plated

O-Ring: Viton

Body: TPU, self-extinguishing

Securing Safety Nut: Nickel plated brass


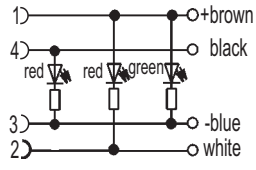
Protection: IP 68

Insulation Group: C acc. to VDE 0110

Contact Resistance: ≤ 5m Ω

Insulation Resistance: > 10<sup>9</sup> Ω

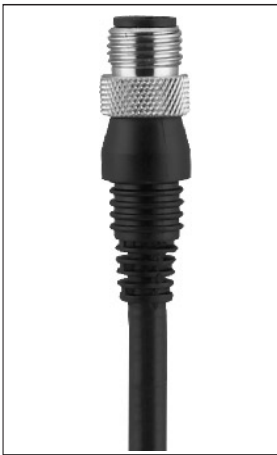
## Catalog Number

Part-No	Poles	Face View Male	Color Code	Conductors		Outer Jacket		Circuit LED-indicator
				Guage	Stranding	φ (mm)	Material	
R-MS4TN/PV992	4		1=brown 2=white 3=blue 4=black	0.80mm <sup>2</sup>	16 x φ 0.25	6.2	PVC	<p>npn/pnp-normally closed/open =2red-green</p> 

Standard length: 2.0 m, 3.0 m, 4.0 m, 5.0 m. Other cable length or cable specifications on request.

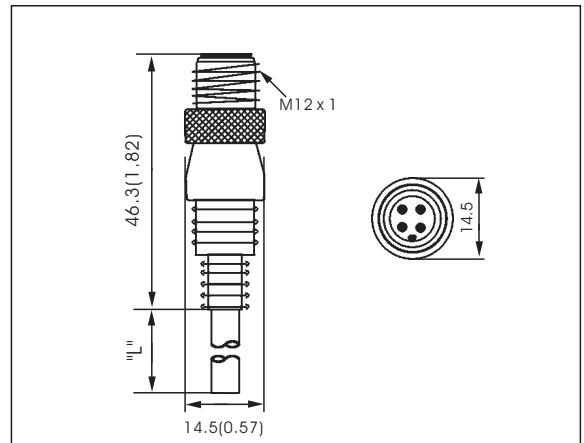
# EURO-STYLE QUICK DISCONNECT CABLES

## View



- Euro-style
- Screw locking with (auto) securing Safety nut
- With moulded Cable

## Dimensional data



## Technical Data

Application Class: HNAcc. to DIN 40040  
(-25°C/+90°C/≤100%rF)

Moulded Body: PVC, self-extinguishing

Nominal Power: 4A, 8 poles=1.5A

Nominal Voltage: 3+4 poles250VAC/300VDC

Body: TPU, self-extinguishing

Contact: CuZn, pre-nickel and  
0.8 microns gold-plated

Securing Safety Nut : Nickel plated brass

Protection: IP 68

Insulation Group: C acc.to VDE 0110

Test Voltage: 3+4 poles, 2.0 KV eff./60s.  
5+8 poles, 1.5 KV eff./60s.

Insulation Resistance: >10<sup>9</sup> Ω

CSA certified: 219967

## Catalog Number

Part-No	Poles	Face View male	Color Code	Conductors		Outer Jacket	
				Guage	Stranding	φ mm	Material
R-MS4TZV982	4		1=brown 2=white 3=blue 4=black	0.34mm <sup>2</sup>	7 x φ0.25	6.2	PVC

Standard length: 2.0 m and 5.0 m. Other cable length or cable specifications on request.

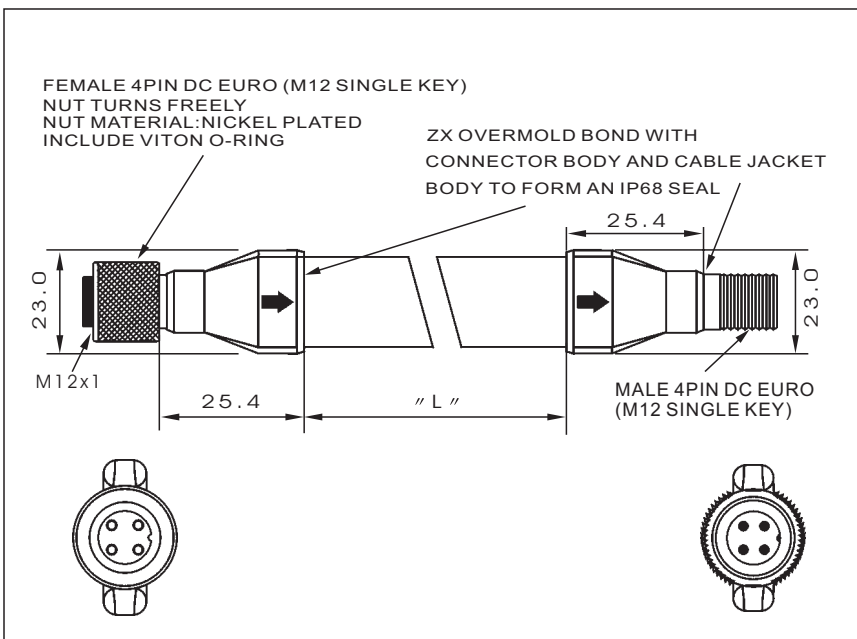
# CABLE EXTENSIONS, IP68 (M12 TO M12)

## View



- Euro-style (female) screw locking with (auto) securing safety nut
- Cable Extensions
- Euro-style (male) with screw-lock and moulded cable safety nut
- Black

## Dimensional data



MALE				FEMALE			
PIN1	PIN2	PIN3	PIN4	PIN1	PIN2	PIN3	PIN4
BRN	WHT	BLU	BLK	BRN	WHT	BLU	BLK

## Technical Data

Application Class:	GNA acc. To DIN 40040 (-40 °C / +90 °C / ≤ 100%rF)	Withdrawal Force/Contact:	≥ 3N
Moulded Body:	PVC self-extinguishing	Protection:	IP 68
Nominal Power:	4A	Water Pressure Resistance:	10 bar
Nominal Voltag:	250VAC	Insulation Group:	C acc.to VDE 0110
Locknut:	Nickel plated brass	Contact Resistance:	≤ 5mΩ
Contact:	CuZn, 3 microns silver-plated and 0.25 microns gold-plated	Test Voltage:	2+3poles, 2.0 KV eff./60s. 4+5poles, 1.5 KV eff./60s.
Insertion Force/Contact:	≥ 3N	Insulation Resistance:	>10 <sup>9</sup> Ω
		CSA certified:	219967

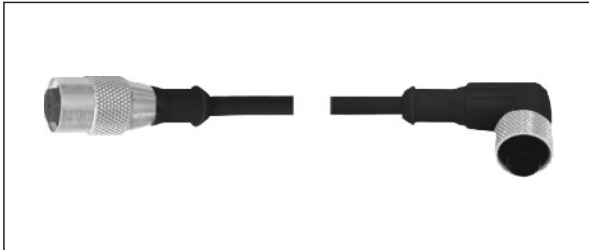
## Catalog Number

Part-No	Poles	Face View female/male	Color Code	Conductors		Outer Jacket	
				Guage	Stranding	mm(width)	Material
R-FS4TZ+ MS4TZV71xx/Flat	4		1=brown 2=white 3=blue 4=black	0.71mm <sup>2</sup>	40 x φ 0.15	20.0	PVC

Standard length: 0.3m, 0.6m, 1.0m, 1.5m, 2.0m. Other cable length or cable specifications on request.

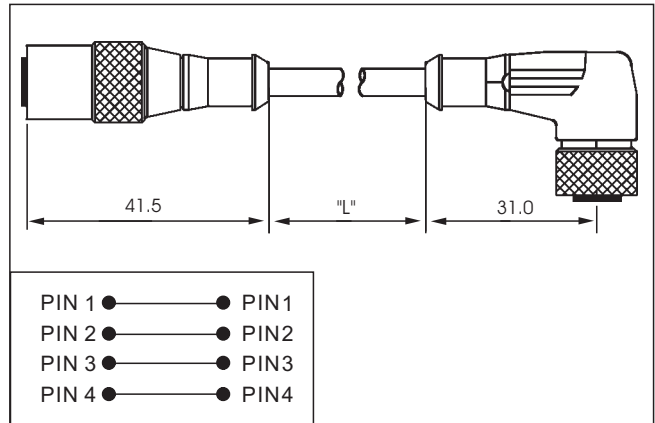
# CABLE EXTENSIONS, IP68 (M12 TO M12)

## View



- Cable Extensions
- Female euro-style (M12) screw locking with (auto) securing safety nut
- Female euro-style (M12) right angle style Screw locking with (auto) securing safety nut

## Dimensional data



## Technical Data

Application Class: HNA acc. to DIN 40040  
 (-25 °C/+ 90 °C / ≤ 100%rF)  
 Body: TPU, self-extinguishing  
 Normal Power: 4A  
 Normal Voltage: 250VAC/300VDC  
 Securing Safety Nut: Nickel plated brass  
 Protection: IP 68, NEMA 6P  
 (only in full locked position)

Shock: IEC-68-2-27  
 Vibration: IEC-68-2-6  
 Contact Resistance: ≤ 5m Ω  
 Dielectric Withstanding  
 Voltage: 2KVAC RMS/60sec  
 Insulation Resistance: > 10<sup>9</sup> Ω  
 CSA certified: 219967

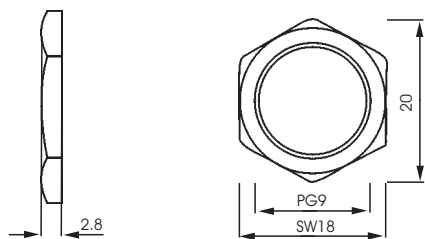
## Order Information

Part -No	Poles	(4 pole female insert front view)	(4 pole female insert front view)	Color code	Conductors		Outer Jacket	
					Guage	Stranding	φ mm	Material
R-FS4TZV07xx+ R-FA4TZV07xx	4			1=brown 2=white 3=blue 4=black	0.25mm <sup>2</sup>	32 x 0.10	5.0	PVC

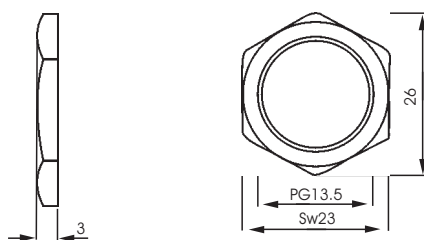
Standard length: 2.0 m and 5.0 m. Other cable length or cable specifications on request.

# EURO-STYLE QUICK DISCONNECT ACCESSORIES

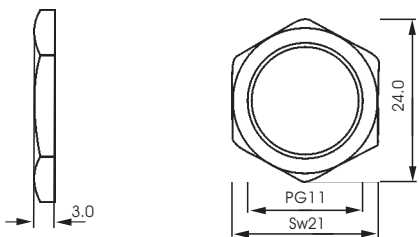
## RMF 9



## RMF 13.5



## RMF11



## Technical Data

Fixing nut for chassis plug PG.../9/11/13.5

Material: CuZn,brass,nickeled