

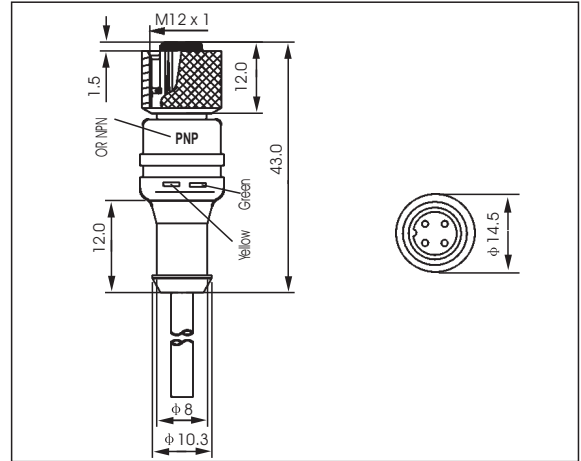
EURO-STYLE QUICK DISCONNECT CABLES

View



- Female Euro-style
- With built-in LED
- Screw locking with (auto) securing safety nut
- With moulded cable

Dimensional data



Technical Data

Application Class: HNA acc. to DIN 40040
(-25 °C / +90 °C / ≤ 100%rF)

Moulded Body: TPU, self-extinguishing

Nominal Power: 4A(CSA=3A)

Nominal Voltage: 10-30VDC

Contact: CuSn, brass, pre-nickeled and 0.3 microns gold-plated

O-Ring: Viton

Body: TPU, self-extinguishing

Securing Safety Nut: Nickel plated brass

Protection: IP 68

Insulation Group: C acc. to VDE 0110

Contact Resistance: ≤ 5m Ω

Insulation Resistance: > 10⁹ Ω

Catalog Number

Part-No	Poles	Face View female	Color Code	Conductors		Outer Jacket		Circuit LED-indicator
				Guage	Stranding	ϕ (mm)	Material	
R-FS4/3TPV062	4		1=brown 2=- 3=blue 4=black	0.34mm ²	42x ϕ 0.10	5.0	PVC	<p>npn-normally open =yellow-green</p>
R-FS4/3TPV312				0.34mm ²	42x ϕ 0.10	5.0	PVC irradiated	
R-FS4/3TPY042				0.34mm ²	42x ϕ 0.10	5.0	PUR/PVC	
R-FS4TPV072	4		1=brown 2=white 3=blue 4=black	0.25mm ²	32x ϕ 0.10	5.0	PVC	<p>npn-normally closed/open =yellow-green</p>
R-FS4TPV812				0.34mm ²	42x ϕ 0.10	5.0	PVC irradiated	
R-FS4TPY872				0.25mm ²	32x ϕ 0.10	5.0	PUR/PVC	

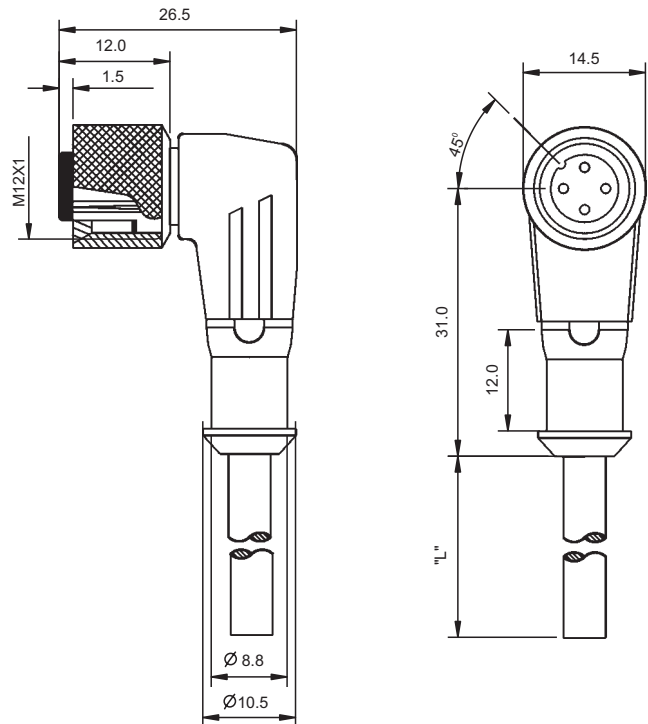
Standard length: 2.0 m, 5.0 m, 7.5 m, 10.0 m. Other cable length or cable specifications on request.

EURO-STYLE QUICK DISCONNECT CABLES

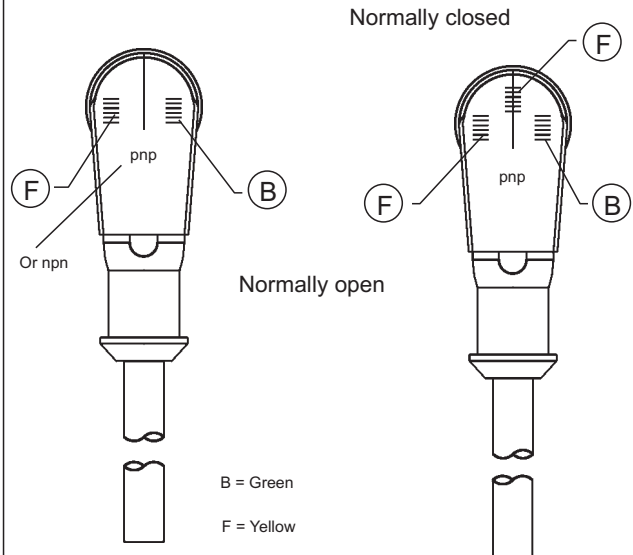
View



Dimensional data



- Female Euro-style
- Right-angle style
- With built-in LED
- Screw locking with (auto) securing safety nut
- With moulded cable



Technical Data

Application Class: HNA acc. to DIN 40040
 (-25 °C / +90 °C / ≤ 100%rF)

Moulded Body: TPU, self-extinguishing

Nominal Power: 4A(CSA=3A)

Nominal Voltage: 10-30VDC

Contact: CuSn, brass, pre-nickeled and 0.3 microns gold-plated

O-Ring: Viton

Body: TPU, self-extinguishing

Securing Safety Nut: Nickel plated brass





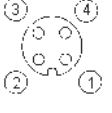
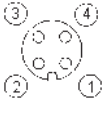
Protection: IP 68

Insulation Group: C acc. to VDE 0110

Contact Resistance: ≤ 5mΩ

Insulation Resistance: > 10⁹Ω

EURO-STYLE QUICK DISCONNECT CABLES

Part-No.	Poles	Face View female	Color Code	Conductors		Outer Jacket		Circuit LED-indicator
				Guage	Stranding	φ mm	Material	
R-FA4/3TPV062/A	4		1=brown 2=- 3=blue 4=black	0.34mm ²	42xφ0.10	5.0	PVC	<p>A type pnp-normally open =yellow-green</p>
R-FA4/3TPV312/A							PVC irradiated	
R-FA4/3TPY042/A							PUR/PVC	
R-FA4/3TNV062/C	4		1=brown 2=- 3=blue 4=black	0.34mm ²	42xφ0.10	5.0	PVC	<p>C type npn-normally open =yellow-green</p>
R-FA4/3TNV312/C							PVC irradiated	
R-FA4/3TNY042/C							PUR/PVC	
R-FA4TPV072/F	4		1=brown 2=white 3=blue 4=black	0.25mm ²	32xφ0.10	5.0	PVC	<p>F type pnp-normally closed/open =yellow-green</p>
R-FA4TPV812/F				0.34mm ²	42xφ0.10		PVC irradiated	
R-FA4TPY872/F				0.25mm ²	32xφ0.10		PUR/PVC	
R-FA4TNV072/G	4		1=brown 2=white 3=blue 4=black	0.25mm ²	32xφ0.10	5.0	PVC	<p>G type npn-normally closed/open =yellow-green</p>
R-FA4TNV812/G				0.34mm ²	42xφ0.10		PVC irradiated	
R-FA4TNY872/G				0.25mm ²	32xφ0.10		PUR/PVC	
R-FA4/3TPV062/H	4		1=brown 2=black 3=blue 4=-	0.34mm ²	42xφ0.10	5.0	PVC	<p>H type pnp-normally closed =yellow-green</p>
R-FA4/3TPV312/H							PVC irradiated	
R-FA4/3TPY042/H							PUR/PVC	
R-FA4TPV072/P	4		1=brown 2=white 3=blue 4=black	0.25mm ²	32xφ0.10	5.0	PVC	<p>P type pnp-normally closed/open =yellow-yellow-green</p>
R-FA4TPV812/P				0.34mm ²	42xφ0.10		PVC irradiated	
R-FA4TPY872/P				0.25mm ²	32xφ0.10		PUR/PVC	

Standard length: 2.0 m, 5.0 m, 7.5 m, 10.0 m. Other cable length or cable specifications on request.