

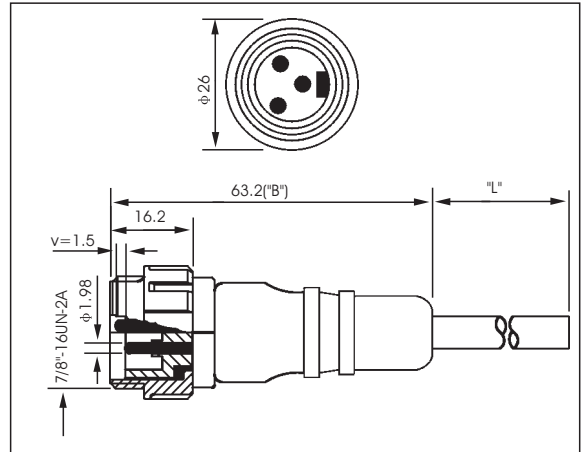
# MINI-STYLE QUICK DISCONNECT CABLES

## View



- Mini-style
- With locknut and moulded Cable ,orange

## Dimensional data



## Technical Data

Application Class: GNAcc. to DIN 40040  
 (-40 °C / +9 °C / ≤ 100%)

Moulded Body: TPU, self-extinguishing

Nominal Power: 2+3poles 12A/ 4+5poles 9A

Nominal Voltage: 250VAC

Contact: CuZn, 3 microns silver-plated  
 and 0.25 microns gold-plated

Body: TPU, self-extinguishing

Protection: IP 68

Water Pressure Resistance: 10 bar

Insulation Group: C acc.to VDE 0110

Test Voltage: 2+3poles, 2.5 KV eff./60s./  
 4+5poles, 1.5 KV eff./60s.

Insulation Resistance: > 10<sup>9</sup> Ω

CSA certified: 219967

## Catalog Number

Part-No	Poles	Face View male	Color Code	Conductors		Outer Jacket	
				Guage	Stranding	φ mm	Material
Z-MS2PAV012	2		1=brown 2=blue	0.75mm <sup>2</sup>	22xφ 0.20	6.8	PVC
Z-MS3PAV032	3		1=brown 2=yellow/green 3=blue	0.75mm <sup>2</sup>	22xφ 0.20	7.2	PVC
Z-MS3PAV082/B			1=brown 2=black 3=blue	0.50mm <sup>2</sup>	16xφ 0.20	6.3	
Z-MS4PAV422	4		1=brown 2=white 3=blue 4=black	0.50mm <sup>2</sup>	16xφ 0.20	6.3	PVC
Z-MS5PAV022	5		1=black 2=blue 3=yellow/green 4=brown 5=white	0.50mm <sup>2</sup>	16xφ 0.20	6.8	PVC

Standard length: 2.0 m and 5.0 m. Other cable length or cable specifications on request.

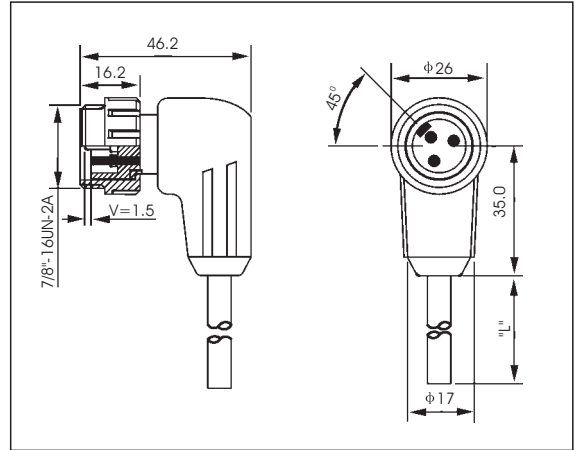
# MINI-STYLE QUICK DISCONNECT CABLES

## View



- Right-angle style
- With screw-lock and moulded cable
- Orange

## Dimensional data



## Technical Data

Application Class: GNA acc. to DIN 40040  
 (-40 °C / +90 °C / ≤ 100%rF)

Moulded Body: TPU, self-extinguishing

Nominal Power: 2+3poles 12A / 4+5poles 9A

Nominal Voltage: 250VAC

Contact: CuZn, 3 microns silver-plated  
 and 0.25 microns gold-plated

Body : TPU, self-extinguishing

Protection : IP 68

Water Pressure Resistance: 10 bar

Insulation Group: C acc.to VDE 0110

Test Voltage: 2+3poles, 2.5 KV eff./60s./  
 4+5poles, 1.5 KV eff./60s.

Insulation Resistance: >10<sup>9</sup> Ω

CSA certified: 219967

## Catalog Number

Part-No	Poles	Face View male	Color Code	Conductors		Outer Jacket	
				Guage	Stranding	φ mm	Material
Z-MA2PAV012	2		1=brown 2=blue	0.75mm <sup>2</sup>	22xφ 0.20	6.8	PVC
Z-MA3PAV032	3		1=brown 2=yellow/green 3=blue	0.75mm <sup>2</sup>	22xφ 0.20	7.2	PVC
Z-MA3PAV082/B			1=brown 2=black 3=blue	0.50mm <sup>2</sup>	16xφ 0.20	6.3	
Z-MA4PAV422	4		1=brown 2=white 3=blue 4=black	0.50mm <sup>2</sup>	16xφ 0.20	6.3	PVC
Z-MA5PAV022	5		1=black 2=blue 3=yellow/green 4=brown 5=white	0.50mm <sup>2</sup>	16xφ 0.20	6.8	PVC

Standard length: 2.0 m and 5.0 m. Other cable length or cable specifications on request.

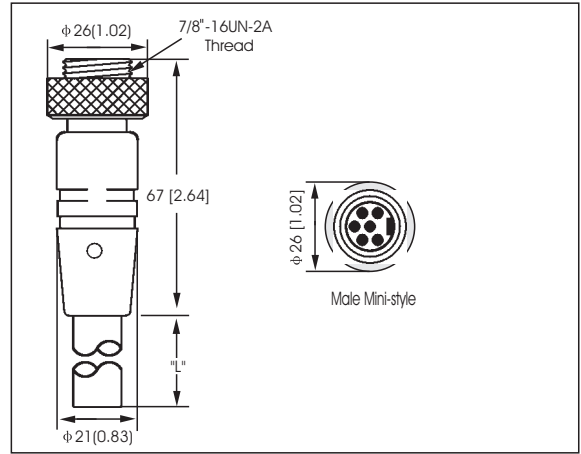
# MINI-STYLE QUICK DISCONNECT CABLES

## View



- With locknut and Moulded cable
- Orange.

## Dimensional data



## Technical Data

Application Class: GNAcc. to DIN 40040  
 (-40 °C / +90 °C / ≤ 100%)  
 Moulded Body: TPU, self-extinguishing  
 Nominal Power: 2+3poles 12A/ 4+5poles 9A  
 Nominal Voltage: 250VAC  
 Body: TPU, self-extinguishing  
 locking Nut: Nickel plated brass  
 Contact: CuZn, 3 microns silver-plated and 0.25 microns gold-plated  
 Insertion Force/Contact: ≤ 3N

Withdrawal Force/Contact: ≥ 1N  
 Protection: IP 68  
 Water Pressure Resistance: 10 bar  
 Insulation Group: C acc.to VDE 0110  
 Contact Resistance: ≤ 5mΩ  
 Test Voltage: 2+3poles, 2.5 KV eff./60s./  
 4+5poles, 1.5 KV eff./60s.  
 Insulation Resistance: >10<sup>9</sup>Ω  
 CSA certified: 219967

## Catalog Number

Part-No	Poles	Face View male	Color Code	Conductors		Outer Jacket	
				Guage	Stranding	φ mm	Material
Z-MS2KAV012	2		1=brown 2=blue	0.75mm <sup>2</sup>	22x φ0.20	6.8	PVC
Z-MS3KAV082	3		1=brown 2=black 3=blue	0.50mm <sup>2</sup>	16 x φ0.20	6.3	PVC
Z-MS4KAV422	4		1=brown 2=white 3=blue 4=black	0.50mm <sup>2</sup>	16 x φ0.20	6.3	PVC
Z-MS5KAV432	5		1=black 2=blue 3=yellow/ green 4=brown 5=white	0.50mm <sup>2</sup>	16 x φ0.20	6.8	PVC
Z-MS6KAV442	6		1=black 2=blue 3=yellow 4=brown 5=white 6=green	0.50mm <sup>2</sup>	16 x φ0.20	6.8	PVC

Standard length: 2.0 m and 5.0 m. Other cable length or cable specifications on request.

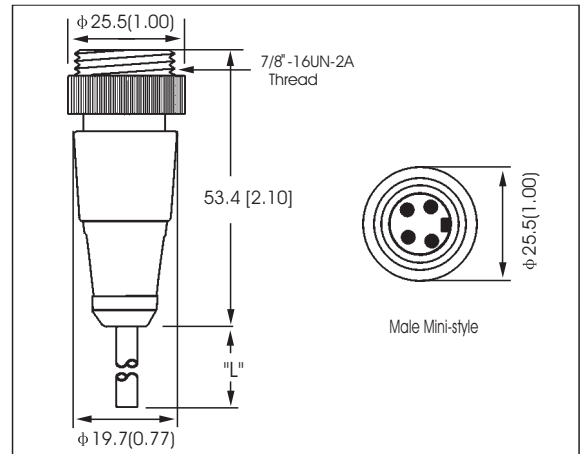
# MINI-STYLE QUICK DISCONNECT CABLES

## View



- With locknut and Moulded cable
- Yellow
- Male Mini-style

## Dimensional data



## Technical Data

Application Class: GNAacc. to DIN 40040  
 (-40 °C / +90 °C /  $\leq 100\%$ )

Moulded Body: TPU, self-extinguishing

Nominal Power: 2+3poles 12A / 4+5poles 9A

Nominal Voltage: 250VAC

Body: TPU, self-extinguishing

Locking Nut: Painting Aluminum

Contact: CuZn, 3 microns silver-plated and 0.25 microns gold-plated

Insertion Force/Contact:  $\leq 3N$

Withdrawal Force/Contact:  $\geq 1N$

Protection: IP 68

Water Pressure Resistance: 10 bar

Insulation Group: C acc.to VDE 0110

Contact Resistance:  $\leq 5m \Omega$

Test Voltage: 2+3poles, 2.5 KV eff./60s.  
 4+5poles, 1.5 KV eff./60s.

Insulation Resistance:  $>10^9 \Omega$

CSA certified: 219967

## Catalog Number

Part-No	Poles	Face View male	Color Code	Conductors		Outer Jacket	
				Guage	Stranding	$\phi$ mm	Material
Z-MS4KAY762	4		1=brown 2=white 3=blue 4=black	0.34mm <sup>2</sup>	26 x $\phi 0.13$	5.3	PUR

Standard length: 2.0 m and 5.0 m. Other cable length or cable specifications on request.