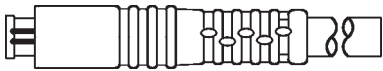
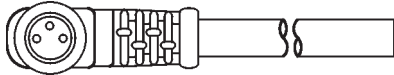


PICO-STYLE INDEX



Page:B-02
Page:B-04

Pico-style/Female/Male/
Straight



Page:B-06
Page:B-08
Page:B-10

Pico-style/Female/Male/
Straight/Right Angle



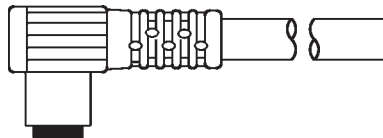
Page:B-12
Page:B-14
Page:B-16
Page:B-18

Pico-style/Female/Male/
Straight/Right Angle



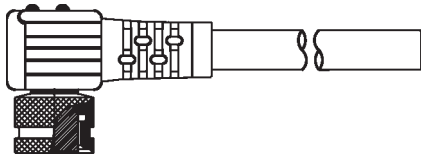
Page:B-20
Page:B-21
Page:B-22
Page:B-23

Pico-style/Female/Male/
Straight/Right Angle(Black)



Page:B-24

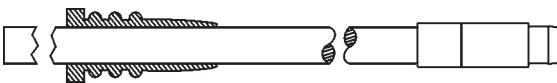
Pico-style/Female
Right Angle/With LED



Page:B-26

Pico-style/Female/Right Angle/With LED

Page:B-28



Pico-style/Male/Female/Straight

Page:B-29



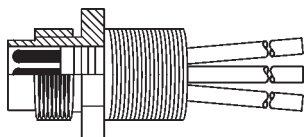
Pico-style/Male/Female/Straight

Page:B-30

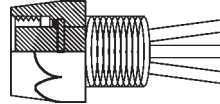


Pico-style/Male/Female/Straight

Page:B-31

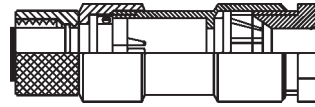


Pico-style/Receptacle



Page:B-32

Pico-style/receptacle



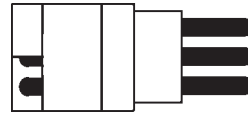
Page:B-33

Pico-style/Female/Straight



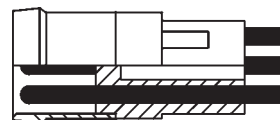
Page:B-34

Pico-style/Male/Straight



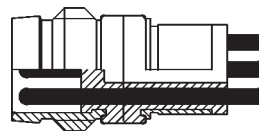
Page:B-35

Pico-style/Plug



Page:B-36

Pico-style/Plug



Page:B-37

Pico-style/Plug



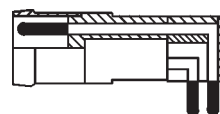
Page:B-38

Pico-style/Plug



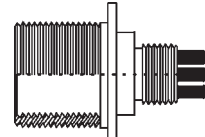
Page:B-39

Pico-style/Plug



Page:B-40

Euro-style/Plug



Page:B-41

Euro-style/Receptacle

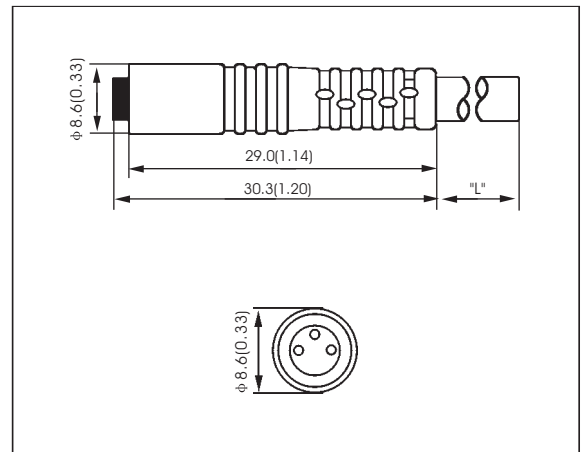
PICO-STYLE QUICK DISCONNECT CABLES

View



- Female Pico-style
- Snap-in device
- With moulded cable
- PUR/PVC offers superior resistance to oils and chemicals and abrasions

Dimensional data



Technical Data

Application Class: HNE acc.to DIN 40040
(-25 °C / +90 °C / ≤ 75%rF)

Moulded Body: TPU, self-extinguishing

Nominal Power: 4A

Nominal Voltage: 60VAC/75VDC

Contact: CuZn, pre-nickel and
0.8microns gold-plated

Body: TPU, self-extinguishing

O-Ring: Viton

Protection: IP 65

Contact Resistance: ≤ 5m Ω

Insulation Group: C acc.to VDE 0110

Test Voltage: 1.5 KV eff./ 60 s.

Insulation Resistance: >10⁹ Ω

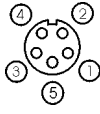
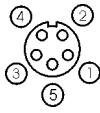
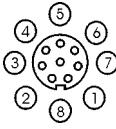
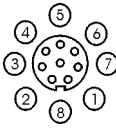
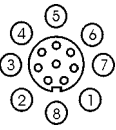
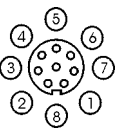
CSA certified: 219967

Catalog Number

Part-No	Poles	Face View female	Color Code	Conductors		Outer Jacket	
				Guage	Stranding	φ mm	Material
C-FS3/2NZV062	3		1=brown 3=blue 4=-	0.34mm ²	42 x φ0.10	5.0	PVC
C-FS3/2NZU042	3		1=brown 3=blue 4=-	0.34mm ²	42 x φ0.10	5.0	PUR
C-FS5NZV1092	5		1=brown 2=white 3=blue 4=black 5=gray	0.34mm ²	42x φ0.10	6.0	PVC
C-FS5NZU1102	5		1=brown 2=white 3=blue 4=black 5=gray	0.50mm ²	16x φ0.20	6.0	PUR

Standard length: 2.0 m and 5.0 m. 7.5m, 10.0m. Other cable length or cable specifications on request.

PICO-STYLE QUICK DISCONNECT CABLES

Catalog Number							
Part-No	Poles	Face View female	Color Code	Conductors		Outer Jacket	
				Guage	Stranding	φ mm	Material
C-FA5NZV1092	5		1=brown 2=white 3=blue 4=black 5=gray	0.34mm ²	42x φ 0.10	6.0	PVC
C-FA5NZU1102	5		1=brown 2=white 3=blue 4=black 5=gray	0.50mm ²	16x φ 0.20	6.0	PUR
C-FS8NZV1112	8		1=white 2=brown 3=green 4=yellow 5=grey 6=pink 7=blue 8=red	0.50mm ²	65x φ 0.10	7.2	PVC
C-FS8NZU1122	8		1=white 2=brown 3=green 4=yellow 5=grey 6=pink 7=blue 8=red	0.50mm ²	65x φ 0.10	7.2	PUR
C-FA8NZV1112	8		1=white 2=brown 3=green 4=yellow 5=grey 6=pink 7=blue 8=red	0.50mm ²	65x φ 0.10	7.2	PVC
C-FA8NZU1122	8		1=white 2=brown 3=green 4=yellow 5=grey 6=pink 7=blue 8=red	0.50mm ²	65x φ 0.10	7.2	PUR

Standard length: 2.0 m and 5.0 m. 7.5m, 10.0m. Other cable length or cable specifications on request.

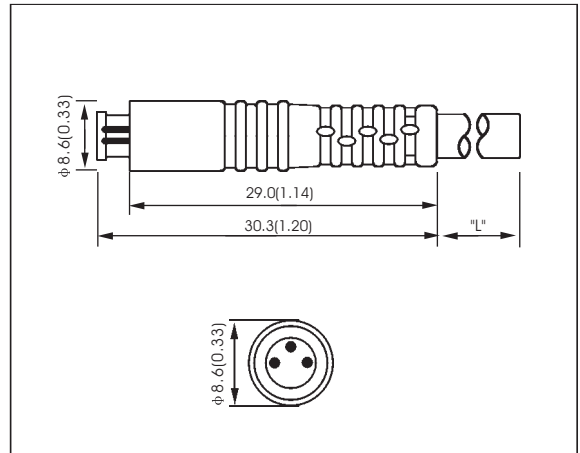
PICO-STYLE QUICK DISCONNECT CABLES

View



- Male Pico-style
- Snap-in device
- With moulded cable
- PUR/PVC offers superior resistance to oils and chemicals and abrasions

Dimensional data



Technical Data

Application Class: HNE acc.to DIN 40040
(-25 °C / +90 °C / ≤ 75%rF)

Moulded Body: TPU, self-extinguishing

Nominal Power: 4A

Nominal Voltage: 60VAC/75VDC

Contact: CuZn, pre-nickel and
0.8microns gold-plated

Body: TPU, self-extinguishing

O-Ring: Viton

Protection: IP 65

Contact Resistance: ≤ 5mΩ

Insulation Group: C acc.to VDE 0110

Test Voltage: 1.5 KV eff./ 60 s.

Insulation Resistance: >10⁹Ω


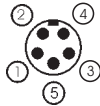
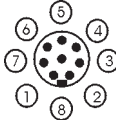



CSA certified: 219967

Catalog Number

Part-No	Poles	Face View male	Color Code	Conductors		Outer Jacket	
				Guage	Stranding	φ mm	Material
C-MS3/2NZV062	3		1=brown 3=blue 4=-	0.34mm ²	42 x φ0.10	5.0	PVC
C-MS3/2NZU042	3		1=brown 3=blue 4=-	0.34mm ²	42 x φ0.10	5.0	PUR
C-MS5NZV1092	5		1=brown 2=white 3=blue 4=black 5=gray	0.34mm ²	42x φ 0.10	6.0	PVC
C-MS5NZU1102	5		1=brown 2=white 3=blue 4=black 5=gray	0.50mm ²	16x φ 0.20	6.0	PUR

Standard length: 2.0 m and 5.0 m. 7.5m, 10.0m. Other cable length or cable specifications on request.

PICO-STYLE QUICK DISCONNECT CABLES

Catalog Number							
Part-No	Poles	Face View male	Color Code	Conductors		Outer Jacket	
				Guage	Stranding	φ mm	Material
C-MA5NZV1092	5		1=brown 2=white 3=blue 4=black 5=gray	0.34mm ²	42x φ 0.10	6.0	PVC
C-MA5NZU1102	5		1=brown 2=white 3=blue 4=black 5=gray	0.50mm ²	16x φ 0.20	6.0	PUR
C-MS8NZV1112	8		1=white 2=brown 3=green 4=yellow 5=grey 6=pink 7=blue 8=red	0.50mm ²	65x φ 0.10	7.2	PVC
C-MS8NZU1122	8		1=white 2=brown 3=green 4=yellow 5=grey 6=pink 7=blue 8=red	0.50mm ²	65x φ 0.10	7.2	PUR
C-MA8NZV1112	8		1=white 2=brown 3=green 4=yellow 5=grey 6=pink 7=blue 8=red	0.50mm ²	65x φ 0.10	7.2	PVC
C-MA8NZU1122	8		1=white 2=brown 3=green 4=yellow 5=grey 6=pink 7=blue 8=red	0.50mm ²	65x φ 0.10	7.2	PUR

Standard length: 2.0 m and 5.0 m. 7.5m, 10.0m. Other cable length or cable specifications on request.

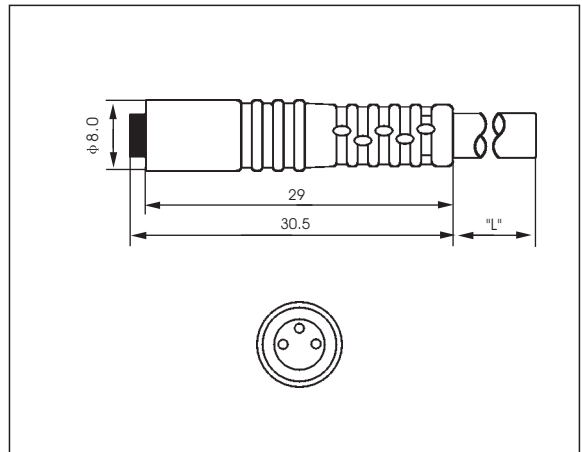
PICO-STYLE QUICK DISCONNECT CABLES

View



- Female Pico-style
- Snap-in device
- With moulded cable
- PUR/PVC offers superior resistance to oils and chemicals and abrasions

Dimensional data



Technical Data

Application Class: HNE acc.to DIN 40040
 (-25 °C / +90 °C / ≤ 75%rF)

Moulded Body: TPU, self-extinguishing

Nominal Power: 4A

Nominal Voltage: 60VAC/75VDC

Contact: CuZn, pre-nickel and
 0.8microns gold-plated

Body: TPU, self-extinguishing

O-Ring: Viton

Protection: IP 65

Contact Resistance: ≤ 5mΩ

Insulation Group: C acc.to VDE 0110

Test Voltage: 1.5 KV eff./ 60 s.

Insulation Resistance: >10⁹ Ω

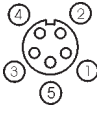
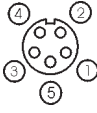
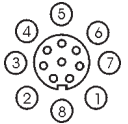
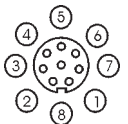
CSA certified: 219967

Catalog Number

Part-No	Poles	Face View female	Color Code	Conductors		Outer Jacket	
				Guage	Stranding	φ mm	Material
C-FS3NZV062	3		1=brown 3=blue 4=black	0.34mm ²	42 x φ0.10	5.0	PVC
C-FS3NZY042				0.34mm ²	42 x φ0.10	5.0	PUR/PVC
C-FS4NZV072	4		1=brown 2=white 3=blue 4=black	0.25mm ²	32 x φ 0.10	5.0	PVC
C-FS4NZY872				0.25mm ²	32 x φ 0.10	5.0	PUR/PVC

Standard length: 2.0 m, 3.0 m, 7.5 m, 10.0 m. Other cable length or cable specifications on request.

PICO-STYLE QUICK DISCONNECT CABLES

Catalog Number							
Part-No	Poles	Face View female	Color Code	Conductors		Outer Jacket	
				Guage	Stranding	φ mm	Material
C-FS5NZV1092/A	5		1=brown 2=white 3=blue 4=black 5=gray	0.34mm ²	42x φ 0.10	6.0	PVC
C-FS5NZY1102	5		1=brown 2=white 3=blue 4=black 5=gray	0.50mm ²	16x φ 0.20	6.0	PUR/PVC
C-FS8NZV1112/A	8		1=white 2=brown 3=green 4=yellow 5=grey 6=pink 7=blue 8=red	0.50mm ²	65x φ 0.10	7.2	PVC
C-FS8NZY1122	8		1=white 2=brown 3=green 4=yellow 5=grey 6=pink 7=blue 8=red	0.50mm ²	65x φ 0.10	7.2	PUR/PVC

Standard length: 2.0 m, 3.0 m, 7.5 m, 10.0 m. Other cable length or cable specifications on request.

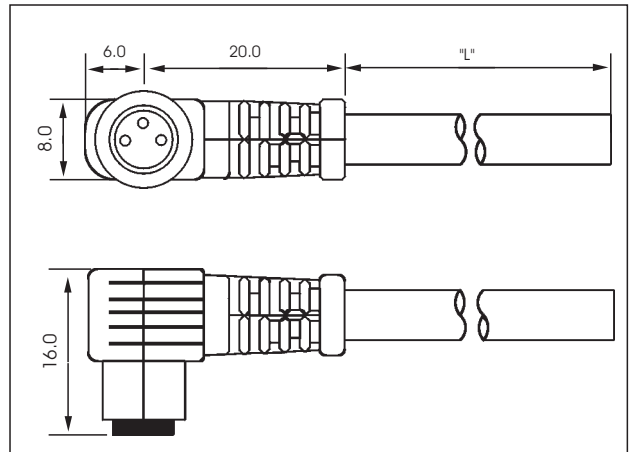
PICO-STYLE QUICK DISCONNECT CABLES

View



- Female pico-style
- Right-angle
- Snap-in device
- With moulded cable

Dimensional data



Technical Data

Application Class: HNE acc. to DIN 40040
 (-25 °C / +90 °C / ≤ 75%rF)

Moulded Body: TPU, self-extinguishing

Nominal Power: 4A

Nominal Voltage: 60 VAC/75 VDC

Contact: CuZn, pre-nickel and
 0.8 microns gold-plated

Body: TPU, self-extinguishing

O-Ring: Viton

Protection: IP 65

Contact Resistance: ≤ 5m Ω

Insulation Group: C acc.to VDE 0110

Test Voltage: 1.5 KV eff./ 60 s.

Insulation Resistance: >10⁹ Ω

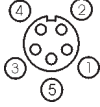
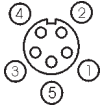
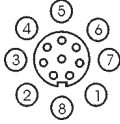
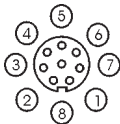
CSA certified: 219967

Catalog Number

Part-No	Poles	Face View female	Color Code	Conductors		Outer Jacket	
				Guage	Stranding	φ mm	Material
C-FA3NZV062	3		1=brown 3=blue 4=black	0.34mm ²	42 x φ0.10	5.0	PVC
C-FA3NZY042				0.34mm ²	42 x φ0.10	5.0	PUR/PVC
C-FA4NZV072	4		1=brown 2=white 3=blue 4=black	0.25mm ²	32 x φ0.10	5.0	PVC
C-FA4NZY872				0.25mm ²	32 x φ0.10	5.0	PUR/PVC

Standard length: 2.0 m, 3.0 m, 7.5 m, 10.0 m. Other cable length or cable specifications on request.

PICO-STYLE QUICK DISCONNECT CABLES

Catalog Number							
Part-No	Poles	Face View female	Color Code	Conductors		Outer Jacket	
				Guage	Stranding	φ mm	Material
C-FA5NZV1132	5		1=brown 2=white 3=blue 4=black 5=gray	0.34mm ²	42x φ 0.10	6.0	PVC
C-FA5NZY1142	5		1=brown 2=white 3=blue 4=black 5=gray	0.50mm ²	16x φ 0.20	6.0	PUR
C-FA8NZV1152	8		1=white 2=brown 3=green 4=yellow 5=grey 6=pink 7=blue 8=red	0.50mm ²	65x φ 0.10	7.2	PVC
C-FA8NZY1162	8		1=white 2=brown 3=green 4=yellow 5=grey 6=pink 7=blue 8=red	0.50mm ²	65x φ 0.10	7.2	PUR

Standard length: 2.0 m, 3.0 m, 7.5 m, 10.0 m. Other cable length or cable specifications on request.

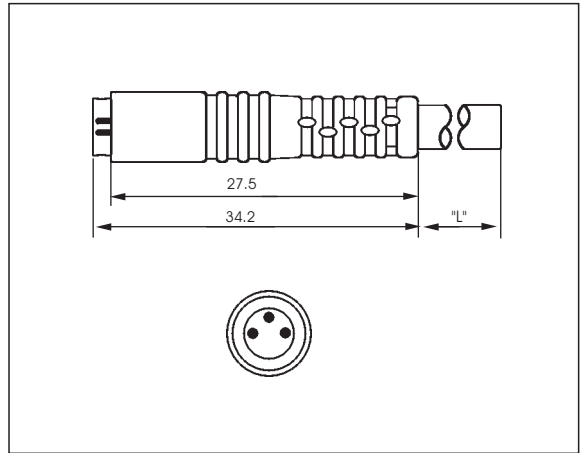
PICO-STYLE QUICK DISCONNECT CABLES

View



- Straight Male pico-style
- Snap-in and locking device
- With moulded cable

Dimensional data



Technical Data

Application Class: HNE acc.to DIN 40040
 (-25 °C +90 °C / ≤ 75%rF)

Moulded Body: PA6.6,self-extinguishing

Nominal Power: 4A

Nominal Voltage: 60VAC/75VDC

Contact: CuZn,pre-nickeled and
 0.8 microns gold-plated

Body: TPU,self-extinguishing

Insulation Group: C acc.to VDE 0110

Protection: IP 65

Test Voltage: 1.5 KV eff./ 60 s.

Insulation Resistance: >10⁹Ω





CSA certified: 219967

Catalog Number

Part-No	Poles	Face View male	Color Code	Conductors		Outer Jacket	
				Guage	Stranding	φ mm	Material
C-MS3NZV062	3		1=brown 3=blue 4=black	0.34mm ²	42 x φ0.10	5.0	PVC
C-MS3NZY042				0.34mm ²	42 x φ0.10	5.0	PUR/PVC
C-MS4NZV072	4		1=brown 2=white 3=blue 4=black	0.25mm ²	32 x φ0.10	5.0	PVC
C-MS4NZY872				0.25mm ²	32 x φ0.10	5.0	PUR/PVC

Standard length: 2.0 m, 5.0 m, 7.5 m, 10.0 m. Other cable length or cable specifications on request.

PICO-STYLE QUICK DISCONNECT CABLES

Catalog Number							
Part-No	Poles	Face View male	Color Code	Conductors		Outer Jacket	
				Guage	Stranding	φ mm	Material
C-MS5NZV1092/A	5		1=brown 2=white 3=blue 4=black 5=gray	0.34mm ²	42x φ 0.10	6.0	PVC
C-MS5NZY1102	5		1=brown 2=white 3=blue 4=black 5=gray	0.50mm ²	16x φ 0.20	6.0	PUR
C-MS8NZV1112/A	8		1=white 2=brown 3=green 4=yellow 5=grey 6=pink 7=blue 8=red	0.50mm ²	65x φ 0.10	7.2	PVC
C-MS8NZY1122	8		1=white 2=brown 3=green 4=yellow 5=grey 6=pink 7=blue 8=red	0.50mm ²	65x φ 0.10	7.2	PUR

Standard length: 2.0 m, 5.0 m, 7.5 m, 10.0 m. Other cable length or cable specifications on request.

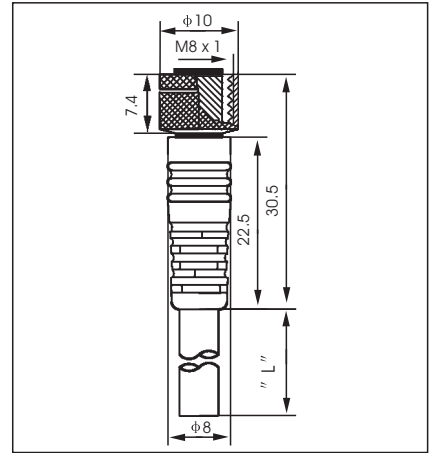
PICO-STYLE QUICK DISCONNECT CABLES

View



- Female pico-style
- Screw locking with (auto) securing safety nut
- With moulded cable

Dimensional data



Technical Data

Application Class: HNE acc.to DIN 40040
 (-25 °C / +90 °C / ≤ 75%rF)
 Moulded Body: TPU, self-extinguishing
 Nominal Power: 4A
 Nominal Voltage: 60VAC/75VDC
 Contact: CuZn, pre-nickel and
 0.8microns gold-plated
 O-Ring: Viton

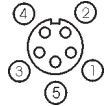
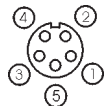
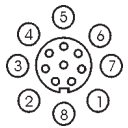
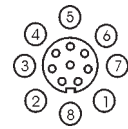
Body: TPU, self-extinguishing
 Securing Safety Nut: Nickel plated brass
 Protection: IP 67
 Contact Resistance: ≤ 5m Ω
 Insulation Group: C acc.to VDE 0110
 Test Voltage: 1.5 KV eff./ 60 s.
 Insulation Resistance: >10⁹Ω
 CSA certified: 219967

Catalog Number

Part-No	Poles	Face View female	Color Code	Conductors		Outer Jacket	
				Guage	Stranding	φmm	Material
C-FS3TZV062	3		1=brown 3=blue 4=black	0.34mm ²	42x φ 0.10	5.0	PVC
C-FS3TZY042	3		1=brown 3=blue 4=black	0.34mm ²	42x φ 0.10	5.0	PUR/PVC
C-FS4TZV072	4		1=brown 2=white 3=blue 4=black	0.25mm ²	32x φ 0.10	5.0	PVC
C-FS4TZY872	4		1=brown 2=white 3=blue 4=black	0.25mm ²	32x φ 0.10	5.0	PUR/PVC

Standard length: 2.0 m, 3.0 m, 7.5 m, 10.0 m. Other cable length or cable specifications on request.

PICO-STYLE QUICK DISCONNECT CABLES

Catalog Number							
Part-No	Poles	Face View female	Color Code	Conductors		Outer Jacket	
				Guage	Stranding	φmm	Material
C-FS5TZV1132	5		1=brown 2=white 3=blue 4=black 5=gray	0.34mm ²	42x φ 0.10	6.0	PVC
C-FS5TZY1142	5		1=brown 2=white 3=blue 4=black 5=gray	0.50mm ²	16x φ 0.20	6.0	PUR/PVC
C-FS8TZV1152	8		1=white 2=brown 3=green 4=yellow 5=grey 6=pink 7=blue 8=red	0.50mm ²	65x φ 0.10	7.2	PVC
C-FS8TZY1162	8		1=white 2=brown 3=green 4=yellow 5=grey 6=pink 7=blue 8=red	0.50mm ²	65x φ 0.10	7.2	PUR/PVC

Standard length: 2.0 m, 3.0 m, 7.5 m, 10.0 m. Other cable length or cable specifications on request.

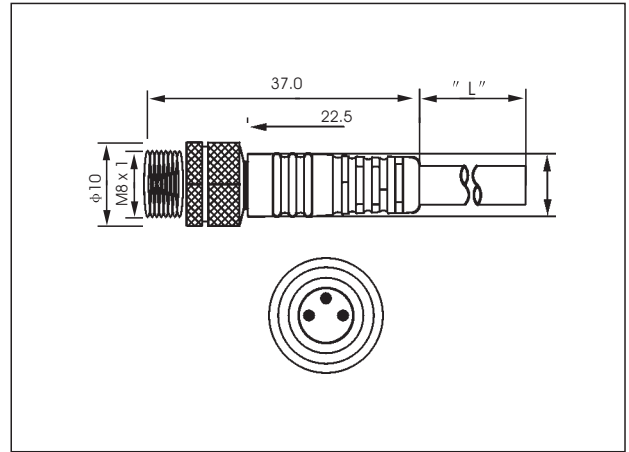
PICO-STYLE QUICK DISCONNECT CABLES

View



- Pico-style
- With freely rotating locking screw
- Moulded cable

Dimensional data



Technical Data

Application Class: HNE acc. to DIN 40040
(-25 °C / +90 °C / ≤ 75%rF)

Moulded Body: TPU, self-extinguishing

Nominal Power: 4A

Nominale Voltage: 60VAC/75VDC

Contact: CuZn, pre-nickel and
0.8 microns gold-plated





Body: TPU, self-extinguishing
Insulation Group: C acc.to VDE 0110
Securing Safety Nut: Nickel plated brass
Protection: IP 67
Test Voltage: 1.5 KV eff./ 60 s.
Insulation Resistance: >10⁹ Ω
CSA certified: 219967

Catalog Number

Part-No	Poles	Face view male	Color code	Conductors		Outer Jacket	
				Guage	Stranding	φ mm	Material
C-MS3TZV062	3		1=brown 3=blue 4=black	0.34mm ²	42 x φ0.10	5.0	PVC
C-MS3TZY042				0.34mm ²	42 x φ0.10	5.0	PUR/PVC
C-MS4TZV072	4		1=brown 2=white 3=blue 4=black	0.25mm ²	32 x φ0.10	5.0	PVC
C-MS4TZY872				0.25mm ²	32 x φ0.10	5.0	PUR/PVC

Standard length: 2.0 m, 5.0 m, 7.5 m, 10.0 m. Other cable length or cable specifications on request.

PICO-STYLE QUICK DISCONNECT CABLES

Catalog Number							
Part-No	Poles	Face View male	Color Code	Conductors		Outer Jacket	
				Guage	Stranding	φmm	Material
C-MS5TZV1132	5		1=brown 2=white 3=blue 4=black 5=gray	0.34mm ²	42x φ 0.10	6.0	PVC
C-MS5TZY1142	5		1=brown 2=white 3=blue 4=black 5=gray	0.50mm ²	16x φ 0.20	6.0	PUR/PVC
C-MS8TZV1152	8		1=white 2=brown 3=green 4=yellow 5=grey 6=pink 7=blue 8=red	0.50mm ²	65x φ 0.10	7.2	PVC
C-MS8TZY1162	8		1=white 2=brown 3=green 4=yellow 5=grey 6=pink 7=blue 8=red	0.50mm ²	65x φ 0.10	7.2	PUR/PVC

Standard length: 2.0 m, 3.0 m, 7.5 m, 10.0 m. Other cable length or cable specifications on request.

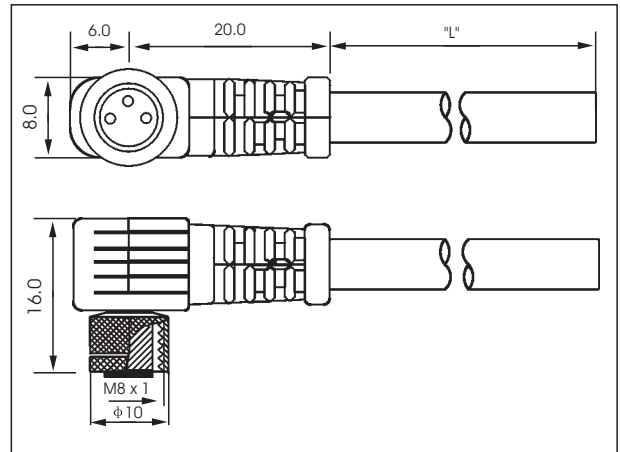
PICO-STYLE QUICK DISCONNECT CABLES

View



- Female pico-style
- Right-angle
- With built-in LED
- Screw locking with (auto) securing safety nut
- With moulded cable

Dimensional data



Technical Data

Application Class: HNE acc.to DIN 40040
 (-25 °C / +90 °C / ≤ 75%rF)
 Moulded Body: TPU, self-extinguishing
 Nominal Power: 4A
 Nominal Voltage: 60VAC/75VDC
 Contact: CuZn, pre-nickeled and
 0.8microns gold-plated
 O-Ring: Viton

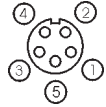
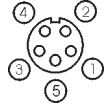
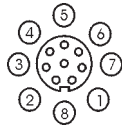
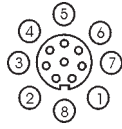
Body: TPU, self-extinguishing
 Securing Safety Nut: Nickel plated brass
 Protection: IP 67
 Contact Resistance: ≤ 5m Ω
 Insulation Group: C acc.to VDE 0110
 Test Voltage: 1.5 KV eff./ 60 s.
 Insulation Resistance: >10⁹Ω
 CSA certified: 219967

Catalog Number

Part-No	Poles	Face View female	Color Code	Conductors		Outer Jacket	
				Guage	Stranding	φmm	Material
C-FA3TZV062	3		1=brown 3=blue 4=black	0.34mm ²	42x φ 0.10	5.0	PVC
C-FA3TZY042	3		1=brown 3=blue 4=black	0.34mm ²	42x φ 0.10	5.0	PUR/PVC
C-FA4TZV072	4		1=brown 2=white 3=blue 4=black	0.25mm ²	32x φ 0.10	5.0	PVC
C-FA4TZY872	4		1=brown 2=white 3=blue 4=black	0.25mm ²	32x φ 0.10	5.0	PUR/PVC

Standard length: 2.0 m, 3.0 m, 7.5 m, 10.0 m. Other cable length or cable specifications on request.

PICO-STYLE QUICK DISCONNECT CABLES

Catalog Number							
Part-No	Poles	Face View female	Color Code	Conductors		Outer Jacket	
				Guage	Stranding	φmm	Material
C-FA5TZV1132	5		1=brown 2=white 3=blue 4=black 5=gray	0.34mm ²	42x φ 0.10	6.0	PVC
C-FA5TZY1142	5		1=brown 2=white 3=blue 4=black 5=gray	0.50mm ²	16x φ 0.20	6.0	PUR/PVC
C-FA8TZV1152	8		1=white 2=brown 3=green 4=yellow 5=grey 6=pink 7=blue 8=red	0.50mm ²	65x φ 0.10	7.2	PVC
C-FA8TZY1162	8		1=white 2=brown 3=green 4=yellow 5=grey 6=pink 7=blue 8=red	0.50mm ²	65x φ 0.10	7.2	PUR/PVC

Standard length: 2.0 m, 3.0 m, 7.5 m, 10.0 m. Other cable length or cable specifications on request.

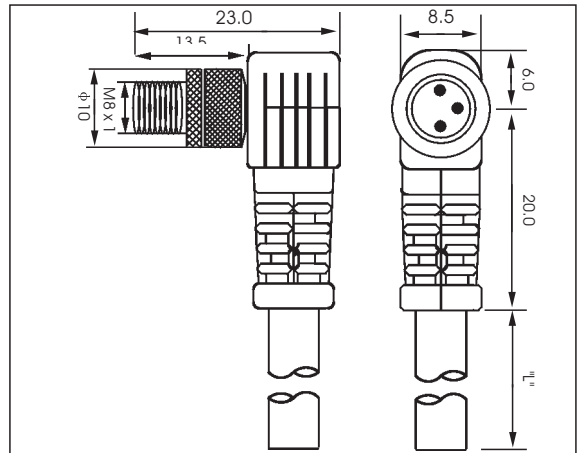
PICO-STYLE QUICK DISCONNECT CABLES

View



- Right-angle
- With freely rotating locking screw
- Moulded cable

Dimensional data



Technical Data

Application Class: HNE acc.to DIN 40040
 (-25 °C / +90 °C / ≤ 75%rF)

Moulded Body: TPU, self-extinguishing

Nominal Power: 4A

Nominal Voltage: 60VAC/75VDC

Contact: CuZn, pre-nickelated and 0.8microns gold-plated

Body: TPU, self-extinguishing

Insulation Group: C acc.to VDE 0110

Securing Safety Nut: Nickel plated brass

Protection: IP 67

Test Voltage: 1.5 KV eff./ 60 s.

Insulation Resistance: > 10⁹Ω

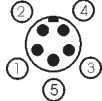
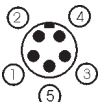
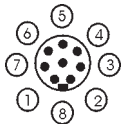

CSA certified: 219967

Catalog Number

Part-No	Poles	Face View male	Color Code	Conductors		Outer Jacket	
				Guage	Stranding	φ mm	Material
C-MA3TZV062	3		1=brown 3=blue 4=black	0.34mm ²	42 x φ0.10	5.0	PVC
C-MA3TZY042	3		1=brown 3=blue 4=black	0.34mm ²	42 x φ0.10	5.0	PUR/PVC
C-MA4TZV072	4		1=brown 2=white 3=blue 4=black	0.25mm ²	32 x φ0.10	5.0	PVC
C-MA4TZY872	4		1=brown 2=white 3=blue 4=black	0.25mm ²	32 x φ0.10	5.0	PUR/PVC

Standard length: 2.0 m, 5.0 m, 7.5 m, 10.0 m. Other cable length or cable specifications on request.

PICO-STYLE QUICK DISCONNECT CABLES

Catalog Number							
Part-No	Poles	Face View male	Color Code	Conductors		Outer Jacket	
				Guage	Stranding	φmm	Material
C-MA5TZV1132	5		1=brown 2=white 3=blue 4=black 5=gray	0.34mm ²	42x φ 0.10	6.0	PVC
C-MA5TZY1142	5		1=brown 2=white 3=blue 4=black 5=gray	0.50mm ²	16x φ 0.20	6.0	PUR/PVC
C-MA8TZV1152	8		1=white 2=brown 3=green 4=yellow 5=grey 6=pink 7=blue 8=red	0.50mm ²	65x φ 0.10	7.2	PVC
C-MA8TZY1162	8		1=white 2=brown 3=green 4=yellow 5=grey 6=pink 7=blue 8=red	0.50mm ²	65x φ 0.10	7.2	PUR/PVC

Standard length: 2.0 m, 3.0 m, 7.5 m, 10.0 m. Other cable length or cable specifications on request.

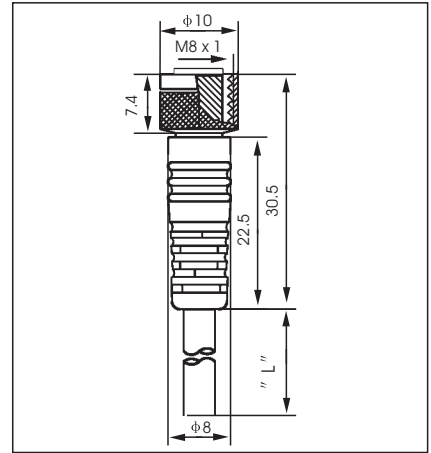
PICO-STYLE QUICK DISCONNECT CABLES

View



- Female pico-style
- Screw locking with (auto) securing safety nut
- With moulded cable

Dimensional data

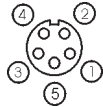
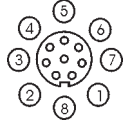


Technical Data

Application Class: HNE acc.to DIN 40040
 (-25 °C / +90 °C / ≤ 75%rF)
 Moulded Body: TPU, self-extinguishing
 Nominal Power: 4A
 Nominal Voltage: 60VAC/75VDC
 Contact: CuZn, pre-nickel and
 0.8microns gold-plated
 O-Ring: Viton

Body: TPU, self-extinguishing
 Securing Safety Nut: Nickel plated brass
 Protection: IP 67
 Contact Resistance: ≤ 5m Ω
 Insulation Group: C acc.to VDE 0110
 Test Voltage: 1.5 KV eff./ 60 s.
 Insulation Resistance: >10⁹Ω
 CSA certified: 219967

Catalog Number

Part-No	Poles	Face View female	Color Code	Conductors		Outer Jacket	
				Guage	Stranding	φmm	Material
C-FS5TZV1092	5		1=brown 2=white 3=blue 4=black 5=gray	0.34mm ²	42x φ 0.10	6.0	PVC
C-FS8TZV1112	8		1=white 2=brown 3=green 4=yellow 5=grey 6=pink 7=blue 8=red	0.50mm ²	65x φ 0.10	7.2	PVC

Standard length: 2.0 m, 3.0 m, 7.5 m, 10.0 m. Other cable length or cable specifications on request.

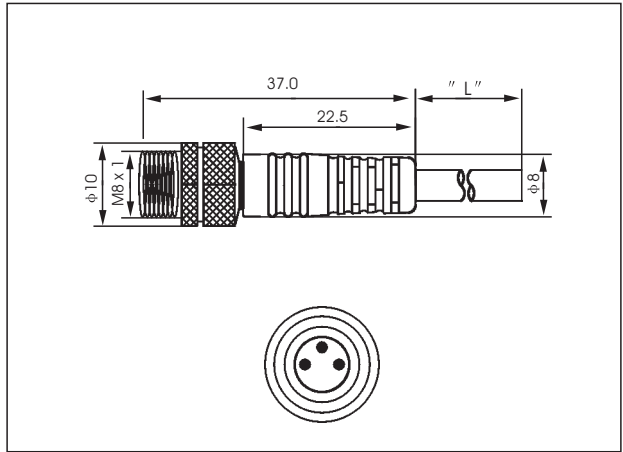
PICO-STYLE QUICK DISCONNECT CABLES

View



- Pico-style
- With freely rotating locking screw
- Moulded cable

Dimensional data



Technical Data

Application Class:	HNE acc. to DIN 40040 (-25 °C / +90 °C / ≤ 75%rF)	Body:	TPU, self-extinguishing
Moulded Body:	TPU, self-extinguishing	Insulation Group:	C acc.to VDE 0110
Nominal Power:	4A	Securing Safety Nut:	Nickel plated brass
Nominale Voltage:	60VAC/75VDC	Protection:	IP 67
Contact:	CuZn, pre-nickelated and 0.8 microns gold-plated	Test Voltage:	1.5 KV eff./ 60 s.
		Insulation Resistance:	>10 ⁹ Ω
		CSA certified:	219967

Catalog Number

Part-No	Poles	Face view male	Color code	Conductors		Outer Jacket	
				Guage	Stranding	φ mm	Material
C-MS5TZV1092	5		1=brown 2=white 3=blue 4=black 5=gray	0.34mm ²	42x φ 0.10	6.0	PVC
C-MS8TZV1112	8		1=white 2=brown 3=green 4=yellow 5=grey 6=pink 7=blue 8=red	0.50mm ²	65x φ 0.10	7.2	PVC

Standard length: 2.0 m, 5.0 m, 7.5 m, 10.0 m. Other cable length or cable specifications on request.

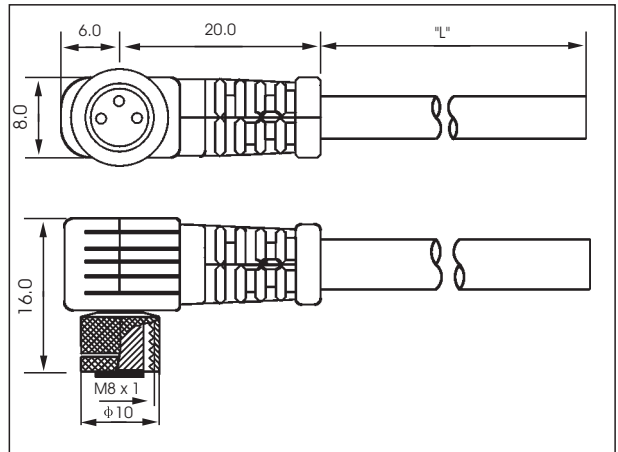
PICO-STYLE QUICK DISCONNECT CABLES

View



- Female pico-style
- Right-angle
- With built-in LED
- Screw locking with (auto) securing safety nut
- With moulded cable

Dimensional data



Technical Data

Application Class: HNE acc.to DIN 40040
 (-25 °C / +90 °C / ≤ 75%rF)

Moulded Body: TPU, self-extinguishing

Nominal Power: 4A

Nominal Voltage: 60VAC/75VDC

Contact: CuZn, pre-nickeled and
 0.8microns gold-plated

O-Ring: Viton

Body: TPU, self-extinguishing

Securing Safety Nut: Nickel plated brass

Protection: IP 67

Contact Resistance: ≤ 5m Ω

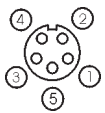
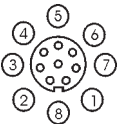
Insulation Group: C acc.to VDE 0110

Test Voltage: 1.5 KV eff./ 60 s.

Insulation Resistance: >10⁹Ω

CSA certified: 219967

Catalog Number

Part-No	Poles	Face View female	Color Code	Conductors		Outer Jacket	
				Guage	Stranding	φmm	Material
C-FA5TZV1092	5		1=brown 2=white 3=blue 4=black 5=gray	0.34mm ²	42x φ 0.10	6.0	PVC
C-FA8TZV1112	8		1=white 2=brown 3=green 4=yellow 5=grey 6=pink 7=blue 8=red	0.50mm ²	65x φ 0.10	7.2	PVC

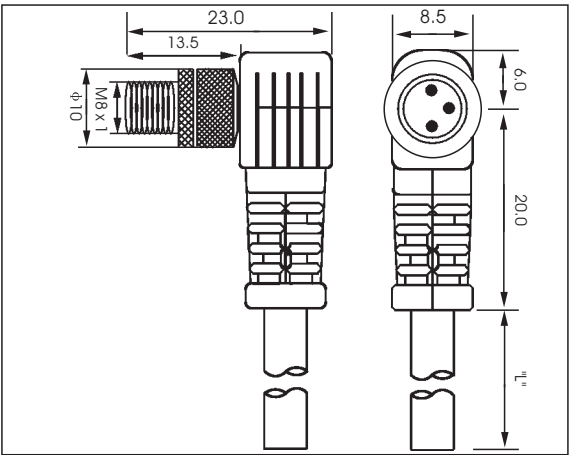
Standard length: 2.0 m, 3.0 m, 7.5 m, 10.0 m. Other cable length or cable specifications on request.

PICO-STYLE QUICK DISCONNECT CABLES

View Dimensional data



- Right-angle
- With freely rotating locking screw
- Moulded cable



Technical Data

Application Class:	HNE acc.to DIN 40040 (-25 °C / +90 °C / ≤ 75%rF)	Body:	TPU, self-extinguishing
Moulded Body:	TPU, self-extinguishing	Insulation Group:	C acc.to VDE 0110
Nominal Power:	4A	Securing Safety Nut:	Nickel plated brass
Nominal Voltage:	60VAC/75VDC	Protection:	IP 67
Contact:	CuZn, pre-nickel and 0.8microns gold-plated	Test Voltage:	1.5 KV eff./ 60 s.
		Insulation Resistance:	> 10 ⁹ Ω
		CSA certified:	219967

Catalog Number

Part-No	Poles	Face View male	Color Code	Conductors		Outer Jacket	
				Guage	Stranding	φ mm	Material
C-MA5TZV1092	5		1=brown 2=white 3=blue 4=black 5=gray	0.34mm ²	42x φ 0.10	6.0	PVC
C-MA8TZV1112	8		1=white 2=brown 3=green 4=yellow 5=grey 6=pink 7=blue 8=red	0.50mm ²	65x φ 0.10	7.2	PVC

Standard length: 2.0 m, 5.0 m, 7.5 m, 10.0 m. Other cable length or cable specifications on request.

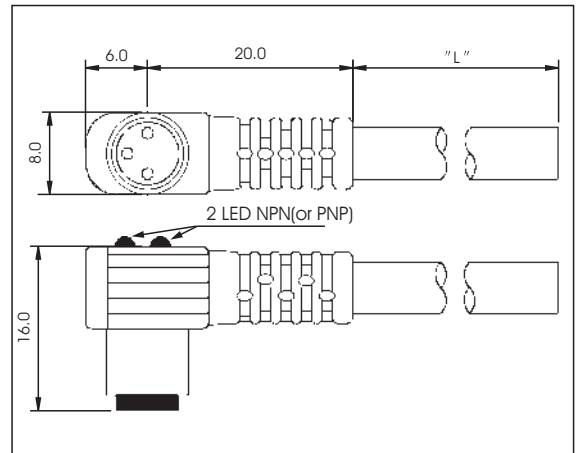
PICO-STYLE QUICK DISCONNECT CABLES

View



- Female Pico-style
- Right-angle
- With built-in LED
- Snap-in device
- With moulded cable

Dimensional data



Technical Data

Application Class: HNE acc.to DIN 40040
 (-25 °C / +110 °C / ≤ 75%rF)

Moulded Body: TPU, self-extinguishing

Nominal Power: 4A

Nominal Voltage: 10-30 VDC

Contact: CuZn, pre-nickel and 0.8microns gold-plated

Body: TPU, self-extinguishing

O-Ring: Viton

Protection: IP 65

Contact Resistance: ≤ 5mΩ

Insulation Group: C acc.to VDE 0110

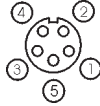
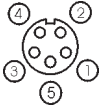
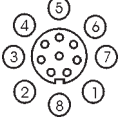
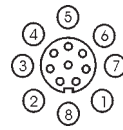


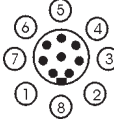

Insulation Resistance: >10⁹Ω

Catalog Number

Part-No	Poles	Face View female/male	Color Code	Conductors		Outer Jacket		Circuit LED-indicator
				Guage	Stranding	φ mm	Material	
C-FA3NPV062	3	Female 	1=brown 3=blue 4=black	0.34mm ²	42 x φ0-10	5.0	PVC	pnp-normally open =yellow-green
C-FA3NPY042				0.34mm ²	42 x φ0-10	5.0	PUR/PVC	
C-FA3NNV062	3	Female 	1=brown 3=blue 4=black	0.34mm ²	42 x φ0-10	5.0	PVC	npn-normally open =yellow-green
C-FA3NNY042				0.34mm ²	42 x φ0-10	5.0	PUR/PVC	

Standard length: 2.0 m, 3.0 m, 7.5 m, 10.0 m. Other cable length or cable specifications on request.

PICO-STYLE QUICK DISCONNECT CABLES

Catalog Number							
Part-No	Poles	Face View female/male	Color Code	Conductors		Outer Jacket	
				Guage	Stranding	φ mm	Material
C-FS5NNV1132	5	Female 	1=brown 2=white 3=blue 4=black 5=gray	0.34mm ²	42x φ 0.10	6.0	PVC
C-FS5NNY1142				0.50mm ²	16x φ 0.20		PUR/PVC
C-FA5NPV1132	5	Female 	1=brown 2=white 3=blue 4=black 5=gray	0.34mm ²	42x φ 0.10	6.0	PVC
C-FA5NPY1142				0.50mm ²	16x φ 0.20		PUR/PVC
C-FS8NNV1152	8	Female 	1=white 2=brown 3=green 4=yellow 5=grey 6=pink 7=blue 8=red	0.50mm ²	65x φ 0.10	7.2	PVC
C-FS8NNY1162							PUR/PVC
C-FA8NNV1152	8	Female 	1=white 2=brown 3=green 4=yellow 5=grey 6=pink 7=blue 8=red	0.50mm ²	65x φ 0.10	7.2	PVC
C-FA8NNY1162							PUR/PVC
C-MS5NNV1132	5	Male 	1=brown 2=white 3=blue 4=black 5=gray	0.34mm ²	42x φ 0.10	6.0	PVC
C-MS5NNY1142				0.50mm ²	16x φ 0.20		PUR/PVC
C-MA5NNV1132	5	Male 	1=brown 2=white 3=blue 4=black 5=gray	0.34mm ²	42x φ 0.10	6.0	PVC
C-MA5NNY1142				0.50mm ²	16x φ 0.20		PUR/PVC
C-MS8NNV1152	8	Male 	1=white 2=brown 3=green 4=yellow 5=grey 6=pink 7=blue 8=red	0.50mm ²	65x φ 0.10	7.2	PVC
C-MS8NNY1162							PUR/PVC
C-MA8NNV1152	8	Male 	1=white 2=brown 3=green 4=yellow 5=grey 6=pink 7=blue 8=red	0.50mm ²	65x φ 0.10	7.2	PVC
C-MA8NNY1162							PUR/PVC

Standard length: 2.0 m, 3.0 m, 7.5 m, 10.0 m. Other cable length or cable specifications on request.

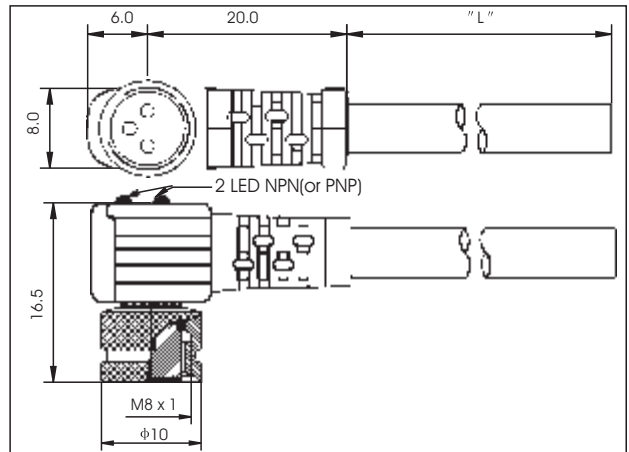
PICO-STYLE QUICK DISCONNECT CABLES

View



- Female pico-style
- Right-angle
- With built-in LED
- Screw locking with (auto) securing safety nut
- With moulded cable

Dimensional data



Technical Data

Application Class: HNE acc. to DIN 40040
(-25 °C / +90 °C / ≤ 75%rF)

Moulded Body: TPU, self-extinguishing

Nominal Power: 4A

Nominal Voltage: 10-30 VDC

Contact: CuZn, pre-nickeled and
0.8 microns gold-plated

Body: TPU, self-extinguishing

Securing Safety Nut: Nickel plated brass

O-Ring: Viton

Protection: IP 68

Contact Resistance: ≤ 5m Ω

Insulation Group: C acc.to VDE 0110

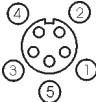
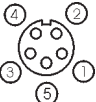






Insulation Resistance: >10⁹Ω

Catalog Number

Part-No	Poles	Face View female/male	Color Code	Conductors		Outer Jacket		Circuit LED-indicator
				Guage	Stranding	φ mm	Material	
C-FA3TPV062	3	Female 	1=brown 3=blue 4=black	0.34mm ²	42x φ 0.10	5.0	PVC	pnp-normally open =yellow-green
C-FA3TPY042				0.34mm ²	42x φ 0.10	5.0	PUR/PVC	
C-FA3TNV062	3	Female 	1=brown 3=blue 4=black	0.34mm ²	42x φ 0.10	5.0	PVC	npn-normally open =yellow-green
C-FA3TNY042				0.34mm ²	42x φ 0.10	5.0	PUR/PVC	

Standard length: 2.0 m, 3.0 m, 7.5 m, 10.0 m. Other cable length or cable specifications on request.

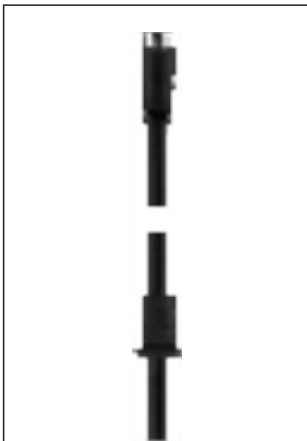
PICO-STYLE QUICK DISCONNECT CABLES

Catalog Number							
Part-No	Poles	Face View female/male	Color Code	Conductors		Outer Jacket	
				Guage	Stranding	φ mm	Material
C-FS5TNV1132	5	Female 	1=brown 2=white 3=blue 4=black 5=gray	0.34mm ²	42x φ 0.10	6.0	PVC
C-FS5TNY1142				0.50mm ²	16x φ 0.20		PUR/PVC
C-FA5TNV1132	5	Female 	1=brown 2=white 3=blue 4=black 5=gray	0.34mm ²	42x φ 0.10	6.0	PVC
C-FA5TNY1142				0.50mm ²	16x φ 0.20		PUR/PVC
C-FS8TPV1152	8	Female 	1=white 2=brown 3=green 4=yellow 5=grey 6=pink 7=blue 8=red	0.50mm ²	65x φ 0.10	7.2	PVC
C-FS8TPY1162							PUR/PVC
C-FA8TNV1152	8	Female 	1=white 2=brown 3=green 4=yellow 5=grey 6=pink 7=blue 8=red	0.50mm ²	65x φ 0.10	7.2	PVC
C-FA8TNY1162							PUR/PVC
C-MS5TNV1132	5	Male 	1=brown 2=white 3=blue 4=black 5=gray	0.34mm ²	42x φ 0.10	6.0	PVC
C-MS5TNY1142				0.50mm ²	16x φ 0.20		PUR/PVC
C-MA5TNV1132	5	Male 	1=brown 2=white 3=blue 4=black 5=gray	0.34mm ²	42x φ 0.10	6.0	PVC
C-MA5TNY1142				0.50mm ²	16x φ 0.20		PUR/PVC
C-MS8TNV1152	8	Male 	1=white 2=brown 3=green 4=yellow 5=grey 6=pink 7=blue 8=red	0.50mm ²	65x φ 0.10	7.2	PVC
C-MS8TNY1162							PUR/PVC
C-MA8TNV1152	8	Male 	1=white 2=brown 3=green 4=yellow 5=grey 6=pink 7=blue 8=red	0.50mm ²	65x φ 0.10	7.2	PVC
C-MA8TNY1162							PUR/PVC

Standard length: 2.0 m, 3.0 m, 7.5 m, 10.0 m. Other cable length or cable specifications on request.

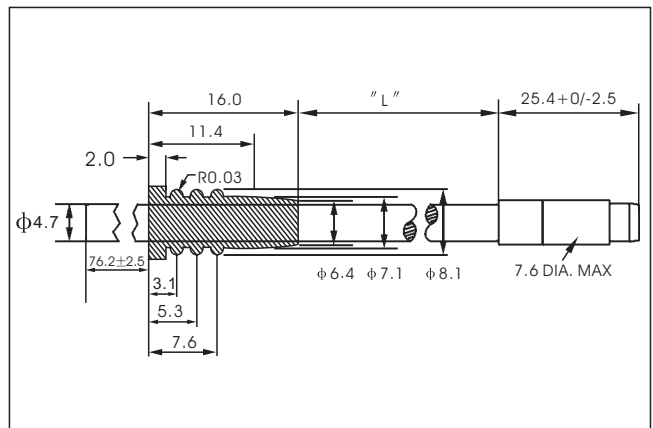
PICO-STYLE QUICK DISCONNECT CABLES

View



- Straight Male Pico-style
- Snap-in and locking device
- With moulded cable

Dimensional data



Technical Data

Application Class: HNE acc.to DIN 40040
 (-25 °C / +90 °C / ≤ 75%rF)

Moulded Body: PA6.6, self-extinguishing

Nominal Power: 4A

Nominal Voltage: 60VAC/75VDC

Contact: CuZn, pre-nickel and
 0.8 microns gold-plated

Body: TPU & PVC, self-extinguishing

Insulation Group: C acc.to VDE 0110

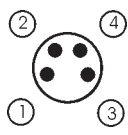
Protection: IP 65

Test Voltage: 1.5 KV eff. / 60 s.

Insulation Resistance: >10⁹Ω


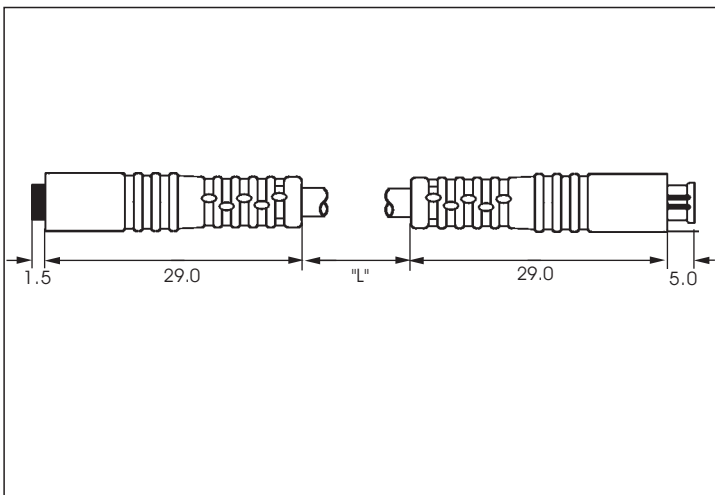
CSA certified: 219967

Catalog Number

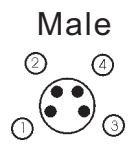
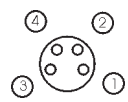
Part-No	Poles	Face View male	Color Code	Conductors		Outer Jacket	
				Guage	Stranding	φ mm	Material
C-MS4NZV072 +Overmolding	4		1=brown 2=white 3=blue 4=black	0.15mm ²	13 x φ 0.12	5.0	PVC

Standard length: 2.0 m, 5.0 m, 7.5 m, 10.0 m. Other cable length or cable specifications on request.

CABLE EXTENSIONS, IP68(M8 TO M8)

View	Dimensional data
	
<ul style="list-style-type: none"> ● Cable Extensions ● Male pico-style (M8) ● Snap-in and locking device ● Female pico-style (M8) ● Snap-in and locking device 	

Technical Data	
Application Class:	HNE acc.to DIN 40040 (-25 °C /+90 °C / ≤ 75%rF)
Moulded Body:	TPU, self-extinguishing
Nominal Power:	4A
Nominal Voltage:	60VAC/75VDC
Contact:	CuZn, pre-nickeled and 0.8microns gold-plated
Body:	TPU, self-extinguishing
O-Ring:	Viton
Protection:	IP 68
Contact Resistance:	≤ 5mΩ
Insulation Group:	C acc.to VDE 0110
Test Voltage:	1.5 KV eff./ 60 s.
Insulation Resistance:	>10 ⁹ Ω
CSA certified:	219967

Catalog Number							
Part-No	Poles	Face View male/female	Color Code	Conductors		Outer Jacket	
				Guage	Stranding	φ mm	Material
C-FS4NZV072 + C-MS4NZV072	4	<p style="text-align: center;">Male</p>  <p style="text-align: center;">Female</p> 	1=brown 2=white 3=blue 4=black	0.25mm ²	32 x φ 0.10	5.0	PVC
Standard length: 0.3m, 0.6m, 1.0m, 1.5m, 2.0m. Other cable length or cable specifications on request.							

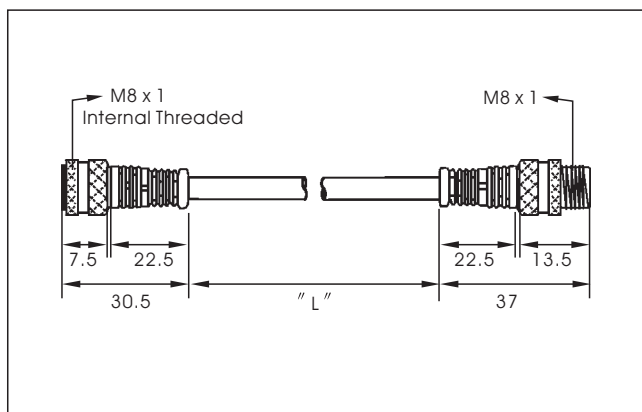
CABLE EXTENSIONS, IP68 (M8 TO M8)

View



- Cable Extensions
- Male Pico-style (M8)
- Female Pico-style (M8)
- Screw locking with (auto) securing safety nut

Dimensional data



Technical Data

Application Class: HNE acc.to DIN 40040
(-25 °C / +90 °C / ≤ 75%rF)

Moulded Body: TPU, self-extinguishing

Nominal Power: 4A

Nominal Voltage: 60VAC/75VDC

Contact: CuZn, pre-nickeled and
0.8microns gold-plated

O-Ring: Viton

Body: TPU, self-extinguishing

Securing Safety nut: Nickel plated brass

Protection: IP 67

Contact Resistance: ≤ 5mΩ

Insulation Group: C acc.to VDE 0110

Test Voltage: 1.5 KV eff./ 60 s.

Insulation Resistance: >10⁹Ω

CSA certified: 219967

Catalog Number

Part-No	Poles	Face View male/female	Color Code	Conductors		Outer Jacket	
				Guage	Stranding	φ mm	Material
C-MS4TZV072+C-FS4TZV072	4	<p>Male</p> <p>Female</p>	<p>1=brown 2=white 3=blue 4=black</p>	0.25mm ²	32 x φ 0.10	5.0	PVC

Standard length: 0.3m, 0.6m, 1.0m, 1.5m, 2.0m. Other cable length or cable specifications on request.

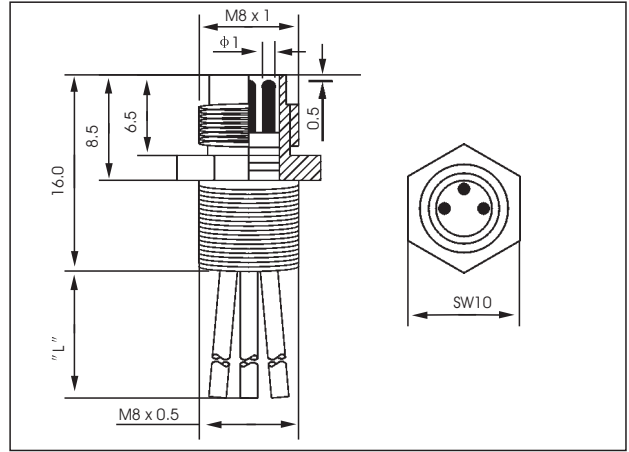
PICO-STYLE QUICK DISCONNECT CABLES

View



- Pico-style receptacle
- Front mounting
- Snap-in/locking device
- With wire ends
- Thread chassis side M8x0.5
- Solder contacts potted with epoxy

Dimensional data



Technical Data

Application Class: HNE acc. to DIN 40040
 (-25 °C / +90 °C / ≤ 75%rF)
 Insert: POM
 Nominal Power: 4A
 Nominal Voltage: 60VAC/75VDC
 Contact: CuZn, pre-nickel and
 0.8 microns gold-plated

Receptacle Housing: Nickel plated brass
 O-Ring: Viton
 Protection: IP 65
 Insulation Group: C acc. to VDE 0110
 Test Voltage: 1.5 KV eff./ 60 s.
 Insulation Resistance: >10⁹ Ω
 CSA certified: 219967

Catalog Number

Part-No	Poles	Face view male	Color code	Conductors		Conductor insulation φ mm(single)
				Guage	Stranding	
C-MS3FZ/0.5/M8	3		1=brown 3=blue 4=black	0.25mm ²	32x φ 0.10	1.4
C-MS4FZ/0.5/M8	4		1=brown 2=white 3=blue 4=black	0.25mm ²	32x φ 0.10	1.4

Standard length: 2.0 m, 3.0 m, 7.5 m, 10.0 m. Other cable length or cable specifications on request.

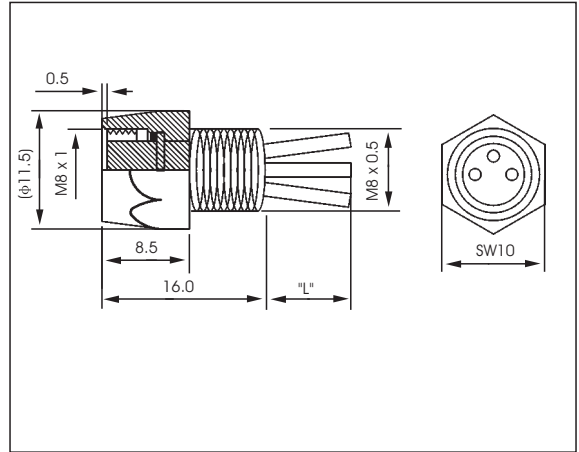
PICO-STYLE QUICK DISCONNECT CABLES

View



- Female Pico-style receptacle
- Front mounting, locking device with wire ends thread chassis side M8x0.5
- Potted with epoxy

Dimensional data



Technical Data

Application Class: HNE acc.to DIN 40040
(-25 °C / +90 °C / ≤ 75%rF)

Insert: POM

Nominal Power: 4A

Nominal Voltage: 60VAC/75VDC

Contact: CuZn, pre-nickeled and
0.8microns gold-plated

Receptacle Housing: Nickel plated brass

O-Ring: Viton

Protection: IP 67

Contact Resistance: 5m Ω

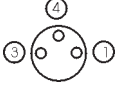

Insulation Group: C acc.to VDE 0110

Test Voltage: 1.5 KV eff./ 60 s.

Insulation Resistance: > 10⁹Ω

CSA certified: 219967

Catalog Number

Part-No	Poles	Face View female	Color Code	Conductors		Conductor insulation φ mm(single)
				Guage	Stranding	
C-FS3FZ/0.5/M8	3		1=brown 3=blue 4=black	0.25mm ²	32x φ 0.10	1.8
C-FS4FZ/0.5/M8	4		1=brown 2=white 3=blue 4=black	0.25mm ²	32x φ 0.10	1.8

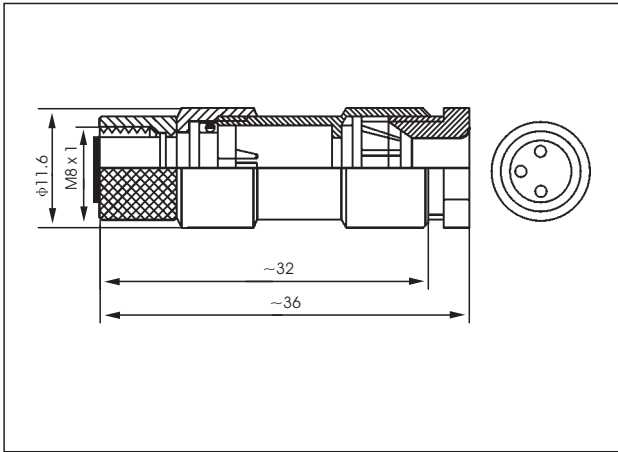
Standard length: 2.0 m, 3.0 m, 7.5 m, 10.0 m. Other cable length or cable specifications on request.

PICO-STYLE QUICK DISCONNECT RECEPTACLES

View Dimensional data



- Female pico-style
- With locknut
- Field connector allow for easy installation
- Can be used to retro-fit hard wired devices or cable assemblies



Technical Data

Application Class: HNE acc. to DIN 40040
 (-25 °C / +90 °C / ≤ 75%rF)
 Nominal Power: 4A
 Nominal Voltage: 60 VAC/75 VDC
 Contact: CuZn, pre-nickel and
 0.8 microns gold-plated

Body: PA 6.6
 Insulation Group: C acc.to VDE 0110
 Locknut: Nickel plated brass
 Protection: IP 67(only in fully locked position)
 O-Ring: NBR
 Test Voltage: 1.0 KV eff./60s.
 Insulation Resistance > 10⁹Ω
 CSA certified: 219967

Catalog Number

Part-No	Poles	Face View female	Max. Wire section	Screw Joint for cable
C-FS3KZ	3		Max 0.25mm ²	cable passage 3.5 - 5.0mm
C-FS4KZ	4		Max 0.25mm ²	cable passage 3.5 - 5.0mm

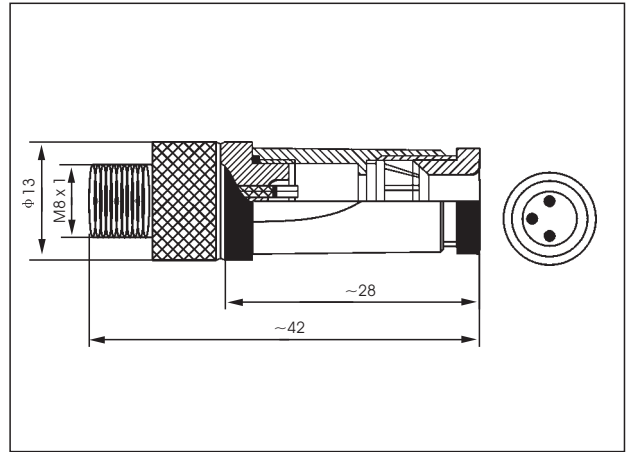
PICO-STYLE QUICK DISCONNECT RECEPTACLES

View



- With freely rotating locknut

Dimensional data

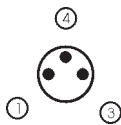



Technical Data

Application Class: HNE acc. to DIN 40040
 (-25 °C / +90 °C / ≤ 75%rF)
 Nominal Power: 4A
 Nominal Voltage: 60VAC/75VDC
 Contact: CuZn, pre-nickeled and
 0.8 microns gold-plated
 Body: Nickel plated brass

Insulation Group: C acc. to VDE 0110
 Locknut: Nickel plated brass
 Protection: IP 67 (only in fully locked position)
 Mode of Connection: Screw clamp
 Test Voltage: 1.0 KV eff./60s.
 Insulation Resistance: >10⁹ Ω
 CSA certified: 219967

Catalog Number

Part-No	Poles	Face View male	Max. Wire section	Screw Joint for cable
C-MS3KZ	3		Max 0.25mm ²	cable passage 3.5 - 5.0mm
C-MS4KZ	4		Max 0.25mm ²	cable passage 3.5 - 5.0mm

Standard length: 2.0 m, 5.0 m, 7.5 m, 10.0 m. Other cable length or cable specifications on request.

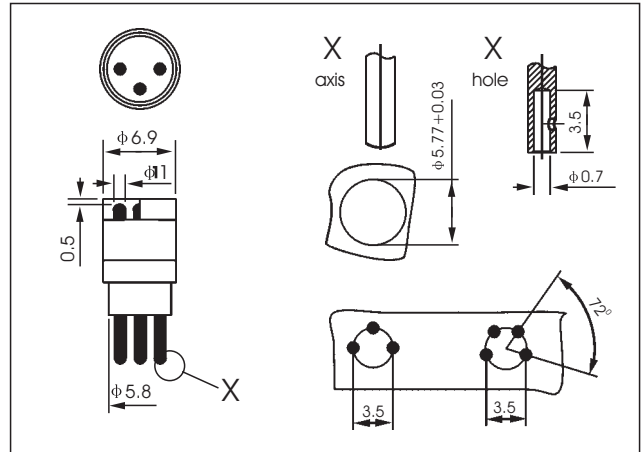
PICO-STYLE QUICK DISCONNECT RECEPTACLES

View



- Pico-style insert
- For proximity switch M8
- Snap-in device
- With long solder Contacts

Dimensional data



Technical Data

Application Class: HNE acc.to DIN 40040
(-25 °C / +90 °C / ≤ 75%rF)

Nominal Power: 4A

Nominal Voltage: 60VAC/75VDC

Contact: CuZn, pre-nickeled and
0.8microns gold-plated

Moulded Body: PA 6.6 GF, self-extinguishing

Protection: IP 65

Mode of Connection: Solder types

Insulation Group: C acc.to VDE 0110

Test Voltage: 1.5 KV eff. / 60 s.

Insulation Resistance: >10⁹Ω

CSA certified: 219967

Catalog Number

Part-No	Poles	Face View male	Contact (Soldering side)	Max. Wire section
C-MS3NZ-G	3		Empty conductor	Max 0.25 mm ²
C-MS4NZ-G	4		Empty conductor	Max 0.25 mm ²
C-MS3NZ-F	3		Solid conductor	—
C-MS4NZ-F	4		Solid conductor	—

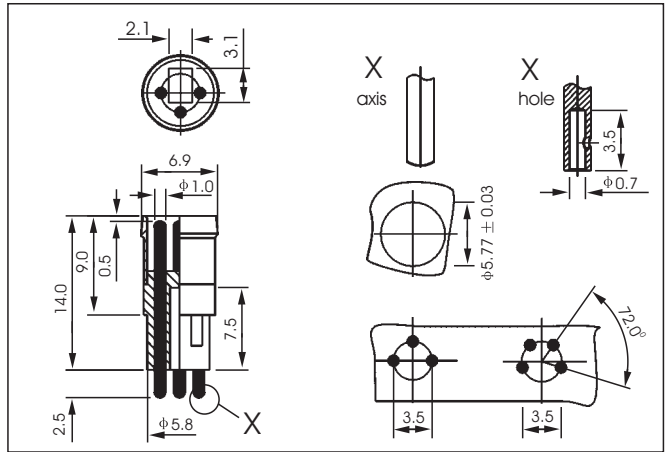
PICO-STYLE QUICK DISCONNECT RECEPTACLES

View



- Pico-style insert
- for proximity switch M8
- Snap-in device
- Transparent washer

Dimensional data



Technical Data

Application Class: HNE acc. to DIN 40040
 (-25 °C / +90 °C / ≤ 75%rF)

Nominal Power: 4A

Nominal Voltage: 60VAC/75VDC

Contact: CuZn, pre-nickel and
 0.8 microns gold-plated

Moulded Body: PA 6.6 GF, self-extinguishing

Protection: IP 65

Mode of Connection: Solder type

Insulation Group: C acc. To VDE 0110

Test Voltage: 1.5KV eff./60s.

Insulation Resistance: >10⁹ Ω

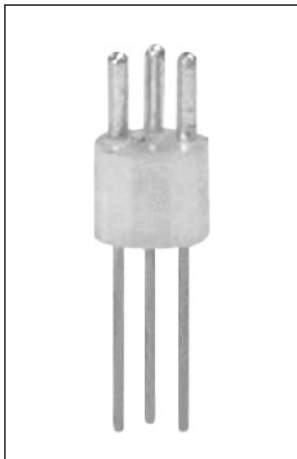
CSA certified: 219967

Catalog Number

Part-No	Poles	Face View male	Contact (Soldering side)	Max. Wire section
C-MS3NN/P-J	3		Empty conductor	Max 0.25 mm ²
C-MS4NN/P-J	4		Empty conductor	Max 0.25 mm ²
C-MS3NN/P-H	3		Solid conductor	-
C-MS4NN/P-H	4		Solid conductor	-

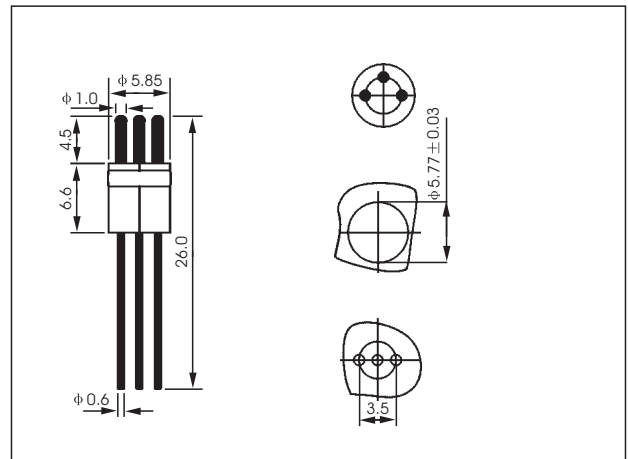
PICO-STYLE QUICK DISCONNECT RECEPTACLES

View



- Pico-style plug insert for proximity switch M8
- With long solder contacts

Dimensional data



Technical Data

Application Class: HNE acc. to DIN 40040
(-25 °C / +90 °C / ≤ 75%rF)

Nominal Power: 4A

Nominal Voltage: 60VAC/75VDC

Contact: CuZn, pre-nickeled and
0.8 microns gold-plated

Moulded Body: PA 6.6 GF, self-extinguishing

Mode of connection: Solder type

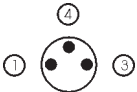
Insulation Group: C acc.to VDE 0110

Test Voltage: 1.5KV eff./60s.

Insulation Resistance: >10⁹ Ω

CSA certified: 219967

Catalog Number

Part-No	Poles	Face View male	Max. Wire section	Contact (Soldering side)
C-MS3-L	3		—	Sold conductor

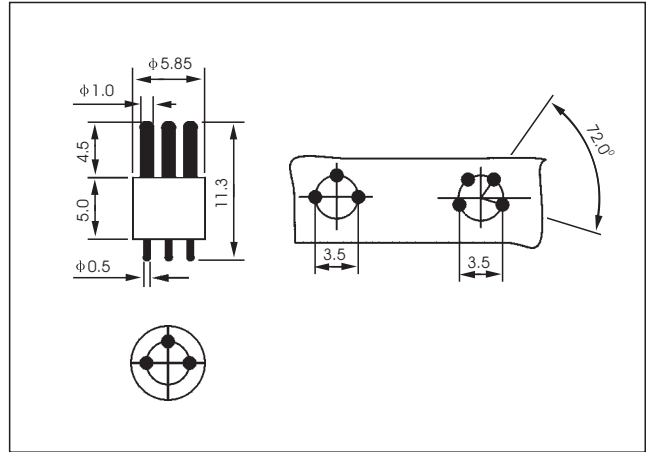
PICO-STYLE QUICK DISCONNECT RECEPTACLES

View



- Pico-style plug insert for proximity switch M8
- With short solder contacts

Dimensional data



Technical Data

Application Class: HNE acc.to DIN 40040
(-25 °C / +90 °C / ≤ 75%rF)

Nominal Power: 4A

Nominal Voltage: 60VAC/75VDC

Contact: CuZn, pre-nickeled and
0.8microns gold-plated

Moulded Body: PA 6.6 GF, self-extinguishing

Mode of Connection: Solder types

Insulation Group: C acc.to VDE 0110

Test Voltage: 1.5 KV eff./ 60 s.

Insulation Resistance: > 10⁹Ω

CSA certified: 219967

Catalog Number

Part-No	Poles	Face View male	Ventilation Hole φ mm	Contact (Soldering side)
C-MS3-S	3		-	Sold conductor
C-MS4-S	4		-	Sold conductor

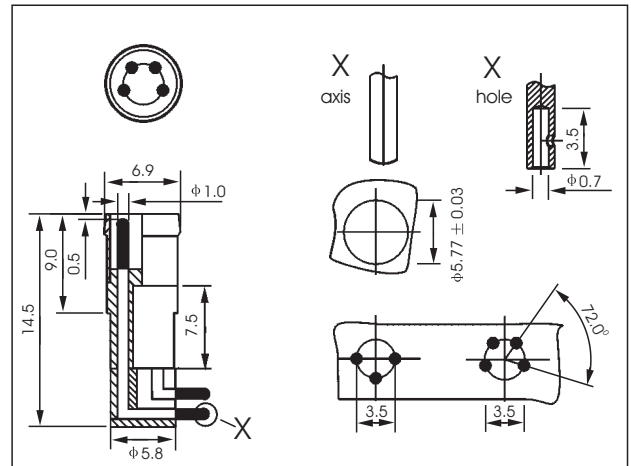
PICO-STYLE QUICK DISCONNECT RECEPTACLES

View



- Pico-style insert
- for proximity switch M8
- Snap-in device

Dimensional data



Technical Data

Application Class: HNE acc. to DIN 40040
 (-25 °C / +90 °C / $\leq 75\%rF$)

Nominal Power: 4A

Nominal Voltage: 60VAC/75VDC

Contact: CuZn, pre-nickel and
 0.8 microns gold-plated

Moulded Body: PA 6.6 GF, self-extinguishing

Protection: IP 65

Mode of Connection: Solder type

Insulation Group: C acc. To VDE 0110

Test Voltage: 1.5KV eff./60s.

Insulation Resistance: $>10^9 \Omega$

CSA certified: 219967

Catalog Number

Part-No	Poles	Face View male	Contact (Soldering side)	Max. Wire section
C-MA3NN/P-J	3		Empty conductor	Max 0.25 mm ²
C-MA4NN/P-J	4		Empty conductor	Max 0.25 mm ²
C-MA3NN/P-H	3		Solid conductor	-
C-MA4NN/P-H	4		Solid conductor	-

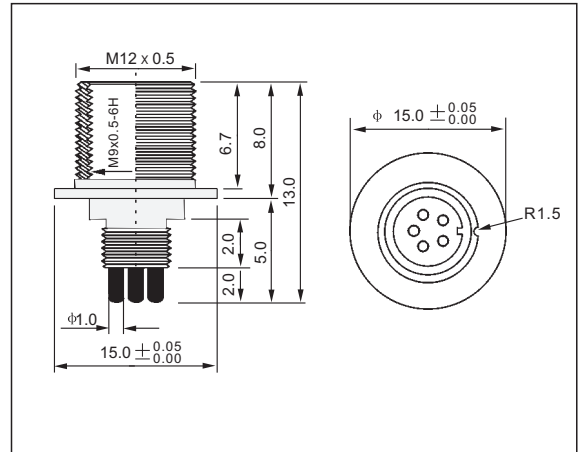
EURO-STYLE QUICK DISCONNECT RECEPTACLES

View



- Euro-style receptacles
- Front mounting, wire ends, thread chassis side PG9
- Back mounting with nut RMF9(see page C-34)
- Solder contacts potted with epoxy

Dimensional data



Technical Data

Application Class: HNA acc. to DIN 40040
 (-25 °C / +90 °C / ≤ 100%rF)

Moulded Body: PA, self-extinguishing
 8poles TPU, Self-extinguishing

Nominal Power: 4A , 8 poles=1.5A

Nominal Voltage: 3+4poles, 250VAC/300VDC
 5+8poles, 30VAC/36VDC

Contact: CuZn, pre-nickeled and 0.8 microns gold-plated

Receptacle Housing: Nickel plated brass

O-Ring: Viton

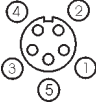
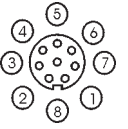
ProtEction: IP 68

Insulation Group: Cacc.toVDE0110

Test Voltage: 2.0 KV eff./60s.
 8poles=1.5 KV eff./60s.

Insulation Resistance: > 10⁹Ω

Catalog Number

Part-No	Poles	Face View Female	Color Code	Conductors		Conductor insulation φ mm(single)
				Guage	Stranding	
FS5FZ/0.5/PG9/M12	5		1=brown 2=white 3=blue 4=black 5=gray	0.34mm ²	42 x φ 0.10	1.6
				0.50mm ²	16 x φ 0.20	1.8
FS8FZ/0.5/PG9/M12	8		1=white 2=brown 3=green 4=yellow 5=grey 6=pink 7=blue 8=red	0.25mm ²	32 x φ 0.10	1.6