

SIGNAL TOWER

MLD57

NPN/PNP
IP20



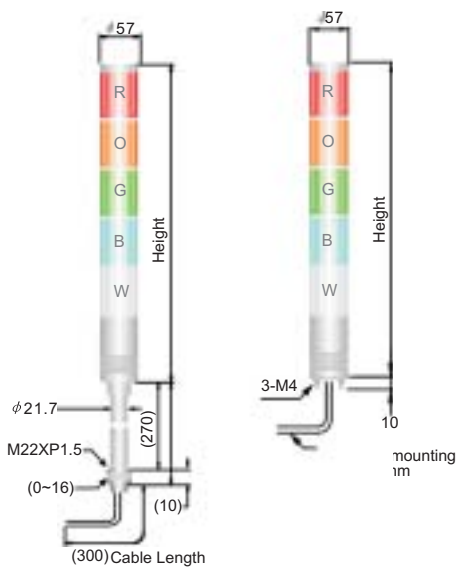
Optional parts



Optional parts



Dimensions

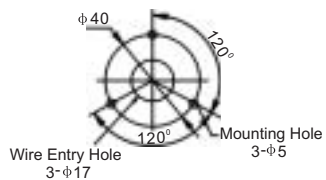


Height (mm)

1Light : 160
2Lights : 226
3Lights : 292
4Lights : 358
5Lights : 424

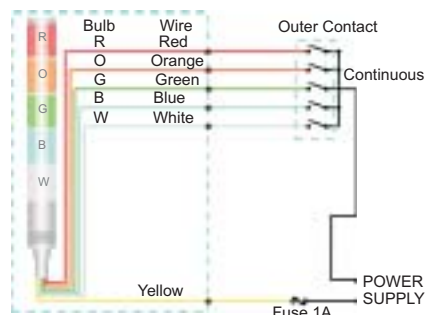
Height (mm)

1Light : 160
2Lights : 226
3Lights : 292
4Lights : 358
5Lights : 424

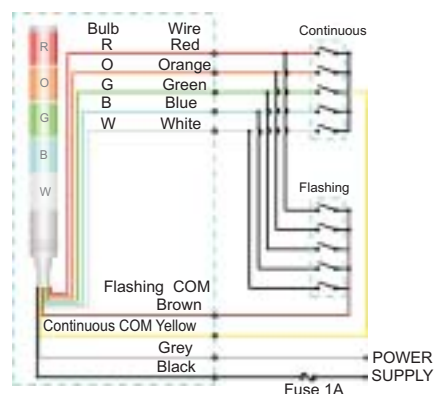


Wiring Diagram In Direct Power Connection

Continuous type



Flashing type



Wire colour

Bulb Unit Colour	Wire Colour
Red Unit	Red Wire
Orange Unit	Orange Wire
Green Unit	Green Wire
Blue Unit	Blue Wire
White Unit	White Wire

Describing

- Colours: Red, Orange, Green, Blue, White (combination in photo is standard; for other combinations, please contact us)
- Lens: Polycarbonate resin with superior resistance to impact and heat.
- The unique vibration absorbing structure using new materials helps reduce vibration and impact from all machines and Devices, greatly extending bulb life.
- Long-life vibration-resistant bulbs are used.
- Colour combinations can be easily changed.
- Various types of information can displayed by using different colours controlled by several (1 to 5) external signals.
- Prism-cut lens disperses the light source, improving visibility.
- The CSA & CE marking is available. The CSA approval number is 219967-143081.
- Custom poles up to 1000mm long are available as an extra cost option.
- For operating the external contact or switch, use a toggle switch, relay switch, limit switch, etc. (No-contact or relay for Flashing model cannot be used due to the influence of leak current.)
- As the body of 12V models is grounded, when using 12V AC, always use an insulation transformer power source.
- This series has Continuous Light and Continuous/Flashing type according to operation methods.
- This series has normal, with pole, Paint, Paint and with pole type according to Distinguish code..
- For details information, please refer to selection guide.
- Vibration Resistance: 10~55HZ Frequency, 0.5mm amplitude in Y direction for 40 minutes.
- Shock resistance 500m/s² acceleration (approx. 50G) in Y direction for three times.

Type

With pole

Style	Rated Voltage	Bulb	Model		Wire type
			Continuous Light	Continuous/Flashing Light	
1 Light	AC/DC 12V	12V 10W	MLD57-BA1C-11	MLD57-BC1C-11	Power source and Lead wire UL AWM1430 105° 300V VW-1 AWG20
	AC/DC 24V	30V 10W	MLD57-BA1F-11	MLD57-BC1F-11	
	AC 110V	110V 15W	MLD57-BA1M-11	MLD57-BC1M-11	
	AC 220V	220V 15W	MLD57-BA1N-11	MLD57-BC1N-11	
2 Light	AC/DC 12V	12V 10W	MLD57-BA1C-21	MLD57-BC1C-21	
	AC/DC 24V	30V 10W	MLD57-BA1F-21	MLD57-BC1F-21	
	AC 110V	110V 15W	MLD57-BA1M-21	MLD57-BC1M-21	
	AC 220V	220V 15W	MLD57-BA1N-21	MLD57-BC1N-21	
3 Light	AC/DC 12V	12V 10W	MLD57-BA1C-31	MLD57-BC1C-31	
	AC/DC 24V	30V 10W	MLD57-BA1F-31	MLD57-BC1F-31	
	AC 110V	110V 15W	MLD57-BA1M-31	MLD57-BC1M-31	
	AC 220V	220V 15W	MLD57-BA1N-31	MLD57-BC1N-31	
4 Light	AC/DC 12V	12V 10W(5W Flashing)	MLD57-BA1C-41	MLD57-BC1C-41	
	AC/DC 24V	30V 10W	MLD57-BA1F-41	MLD57-BC1F-41	
	AC 110V	110V 15W	MLD57-BA1M-41	MLD57-BC1M-41	
	AC 220V	220V 15W	MLD57-BA1N-41	MLD57-BC1N-41	
5 Light	AC/DC 12V	12V 10W(5W Flashing)	MLD57-BA1C-51	MLD57-BC1C-51	
	AC/DC 24V	30V 10W	MLD57-BA1F-51	MLD57-BC1F-51	
	AC 110V	110V 15W	MLD57-BA1M-51	MLD57-BC1M-51	
	AC 220V	220V 15W	MLD57-BA1N-51	MLD57-BC1N-51	

Without pole

Style	Rated Voltage	Bulb	Model		Wire type
			Continuous Light	Continuous/Flashing Light	
1 Light	AC/DC 12V	12V 10W	MLD57-BA0C-11	MLD57-BC0C-11	Power source and Lead wire UL AWM1430 105° 300V VW-1 AWG20
	AC/DC 24V	30V 10W	MLD57-BA0F-11	MLD57-BC0F-11	
	AC 110V	110V 15W	MLD57-BA0M-11	MLD57-BC0M-11	
	AC 220V	220V 15W	MLD57-BA0N-11	MLD57-BC0N-11	
2 Light	AC/DC 12V	12V 10W	MLD57-BA0C-21	MLD57-BC0C-21	
	AC/DC 24V	30V 10W	MLD57-BA0F-21	MLD57-BC0F-21	
	AC 110V	110V 15W	MLD57-BA0M-21	MLD57-BC0M-21	
	AC 220V	220V 15W	MLD57-BA0N-21	MLD57-BC0N-21	
3 Light	AC/DC 12V	12V 10W	MLD57-BA0C-31	MLD57-BC0C-31	
	AC/DC 24V	30V 10W	MLD57-BA0F-31	MLD57-BC0F-31	
	AC 110V	110V 15W	MLD57-BA0M-31	MLD57-BC0M-31	
	AC 220V	220V 15W	MLD57-BA0N-31	MLD57-BC0N-31	
4 Light	AC/DC 12V	12V 10W(5W Flashing)	MLD57-BA0C-41	MLD57-BC0C-41	
	AC/DC 24V	30V 10W	MLD57-BA0F-41	MLD57-BC0F-41	
	AC 110V	110V 15W	MLD57-BA0M-41	MLD57-BC0M-41	
	AC 220V	220V 15W	MLD57-BA0N-41	MLD57-BC0N-41	
5 Light	AC/DC 12V	12V 10W(5W Flashing)	MLD57-BA0C-51	MLD57-BC0C-51	
	AC/DC 24V	30V 10W	MLD57-BA0F-51	MLD57-BC0F-51	
	AC 110V	110V 15W	MLD57-BA0M-51	MLD57-BC0M-51	
	AC 220V	220V 15W	MLD57-BA0N-51	MLD57-BC0N-51	