

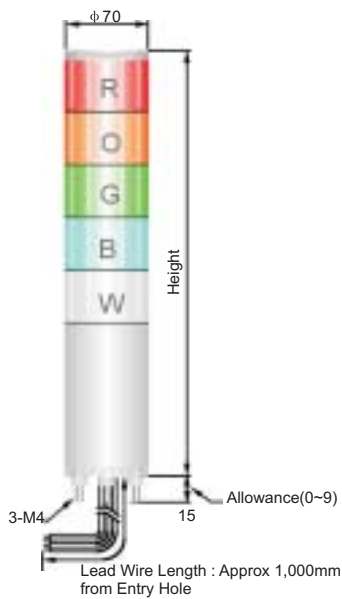
## MOD70



### Optional parts

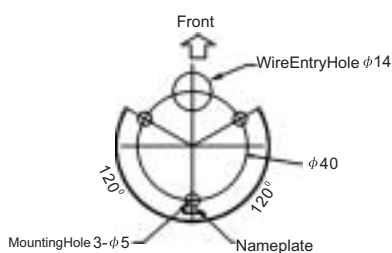


### Dimensions

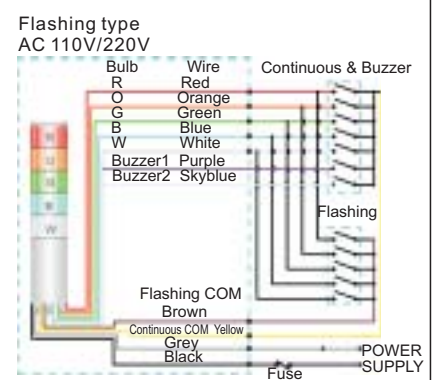
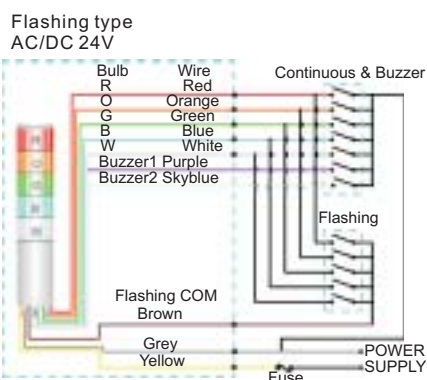
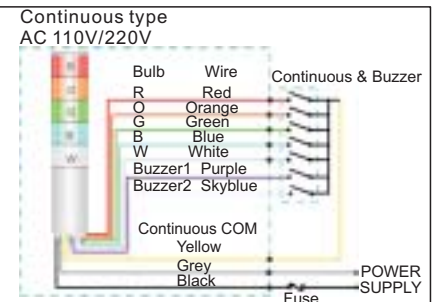
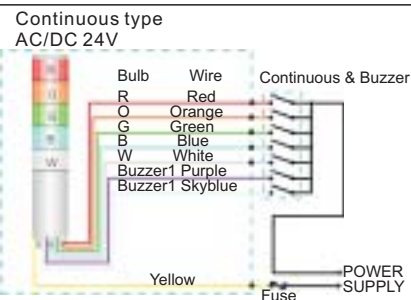


#### Height (mm)

- 1Light : 221
- 2Lights : 252
- 3Lights : 294
- 4Lights : 335
- 5Lights : 376



### Wiring Diagram In Direct Power Connection



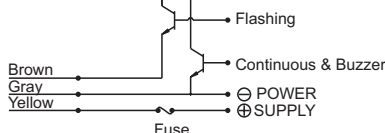
#### Wire colour

Bulb Unit Colour	Wire Colour
Red Unit	Red Wire
Orange Unit	Orange Wire
Green Unit	Green Wire
Blue Unit	Blue Wire
White Unit	White Wire

#### Open collector (24V)

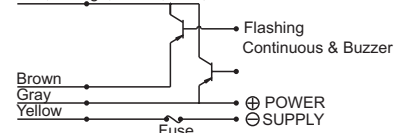
NPN transistor

Red, Orange, Green, Blue, White



PNP transistor

Red, Orange, Green, Blue, White



# SIGNAL TOWER

## Describing

- Colours: Red, Orange, Green, Blue, Clear( combination in photo is standard; for other combinations, please contact us)
- Lens: Polycarbonate resin with superior resistance to impact and heat.
- Unique vibration absorbing structure and newly developed vibration resistant bulb help to reduce vibration and impact from all machineries and greatly extend bulb life.
- Bayonet base bulb not to be loosen by vibration.
- Newly developed prism cut lens offers the brightest light available and improved the visibility from all directions.
- Meets IP-54 for wash-down requirements.
- The buzzer has 2 different gentle sounds high volume; 80dB/m
- Snap-in connectors make the unit easily detachable.
- This model contains open-collector type NPN, PNP transistor which allows direct connection to Programmable Controller. (24V type only)
- The CSA & CE marking is available. The CSA approval number is 219967-143081.
- This series has Continuous, Continuous/Flashing, Continuous with warning sound and Continuous/Flashing with warning sound type according to operation methods.
- This series has normal, with pole type according to Distinguish code.
- For details information, please refer to selection guide.
- Vibration Resistance: 10~55HZ Frequency, 0.5mm amplitude in Y direction for 40 minutes.
- Shock resistance 500m/s<sup>2</sup> acceleration(approx.50G)in Y direction for three times.

## Type

### ■ With pole

Style	Rated Voltage	Bulb	Model				Wire type
			Continuous Light	Continuous / Flashing Light	Continuous Light With Warning Sound	Continuous/Flashing Light With Warning Sound	
1 Light	AC/DC 24V	28V 11W	MOD70-BA1F-11	MOD70-BC1F-11	MOD70-BD1F-11	MOD70-BF1F-11	Power source and Lead wire UL AWM1430 105° 300V VW-1 AWG20
	AC 110V	110V 12W	MOD70-BA1M-11	MOD70-BC1M-11	MOD70-BD1M-11	MOD70-BF1M-11	
	AC 220V	250V 11W	MOD70-BA1N-11	MOD70-BC1N-11	MOD70-BD1N-11	MOD70-BF1N-11	
2 Light	AC/DC 24V	28V 11W	MOD70-BA1F-21	MOD70-BC1F-21	MOD70-BD1F-21	MOD70-BF1F-21	
	AC 110V	110V 12W	MOD70-BA1M-21	MOD70-BC1M-21	MOD70-BD1M-21	MOD70-BF1M-21	
	AC 220V	250V 11W	MOD70-BA1N-21	MOD70-BC1N-21	MOD70-BD1N-21	MOD70-BF1N-21	
3 Light	AC/DC 24V	28V 11W	MOD70-BA1F-31	MOD70-BC1F-31	MOD70-BD1F-31	MOD70-BF1F-31	
	AC 110V	110V 12W	MOD70-BA1M-31	MOD70-BC1M-31	MOD70-BD1M-31	MOD70-BF1M-31	
	AC 220V	250V 11W	MOD70-BA1N-31	MOD70-BC1N-31	MOD70-BD1N-31	MOD70-BF1N-31	
4 Light	AC/DC 24V	28V 11W	MOD70-BA1F-41	MOD70-BC1F-41	MOD70-BD1F-41	MOD70-BF1F-41	
	AC 110V	110V 12W	MOD70-BA1M-41	MOD70-BC1M-41	MOD70-BD1M-41	MOD70-BF1M-41	
	AC 220V	250V 11W	MOD70-BA1N-41	MOD70-BC1N-41	MOD70-BD1N-41	MOD70-BF1N-41	
5 Light	AC/DC 24V	28V 11W	MOD70-BA1F-51	MOD70-BC1F-51	MOD70-BD1F-51	MOD70-BF1F-51	
	AC 110V	110V 12W	MOD70-BA1M-51	MOD70-BC1M-51	MOD70-BD1M-51	MOD70-BF1M-51	
	AC 220V	220V 15W	MOD70-BA1N-51	MOD70-BC1N-51	MOD70-BD1N-51	MOD70-BF1N-51	

### ■ Without pole

Style	Rated Voltage	Bulb	Model				Wire type
			Continuous Light	Continuous / Flashing Light	Continuous Light With Warning Sound	Continuous/Flashing Light With Warning Sound	
1 Light	AC/DC 24V	28V 11W	MOD70-BA0F-11	MOD70-BC0F-11	MOD70-BD0F-11	MOD70-BF0F-11	Power source and Lead wire UL AWM1430 105° 300V VW-1 AWG20
	AC 110V	110V 12W	MOD70-BA0M-11	MOD70-BC0M-11	MOD70-BD0M-11	MOD70-BF0M-11	
	AC 220V	250V 11W	MOD70-BA0N-11	MOD70-BC0N-11	MOD70-BD0N-11	MOD70-BF0N-11	
2 Light	AC/DC 24V	28V 11W	MOD70-BA0F-21	MOD70-BC0F-21	MOD70-BD0F-21	MOD70-BF0F-21	
	AC 110V	110V 12W	MOD70-BA0M-21	MOD70-BC0M-21	MOD70-BD0M-21	MOD70-BF0M-21	
	AC 220V	250V 11W	MOD70-BA0N-21	MOD70-BC0N-21	MOD70-BD0N-21	MOD70-BF0N-21	
3 Light	AC/DC 24V	28V 11W	MOD70-BA0F-31	MOD70-BC0F-31	MOD70-BD0F-31	MOD70-BF0F-31	
	AC 110V	110V 12W	MOD70-BA0M-31	MOD70-BC0M-31	MOD70-BD0M-31	MOD70-BF0M-31	
	AC 220V	250V 11W	MOD70-BA0N-31	MOD70-BC0N-31	MOD70-BD0N-31	MOD70-BF0N-31	
4 Light	AC/DC 24V	28V 11W	MOD70-BA0F-41	MOD70-BC0F-41	MOD70-BD0F-41	MOD70-BF0F-41	
	AC 110V	110V 12W	MOD70-BA0M-41	MOD70-BC0M-41	MOD70-BD0M-41	MOD70-BF0M-41	
	AC 220V	250V 11W	MOD70-BA0N-41	MOD70-BC0N-41	MOD70-BD0N-41	MOD70-BF0N-41	
5 Light	AC/DC 24V	28V 11W	MOD70-BA0F-51	MOD70-BC0F-51	MOD70-BD0F-51	MOD70-BF0F-51	
	AC 110V	110V 12W	MOD70-BA0M-51	MOD70-BC0M-51	MOD70-BD0M-51	MOD70-BF0M-51	
	AC 220V	220V 15W	MOD70-BA0N-51	MOD70-BC0N-51	MOD70-BD0N-51	MOD70-BF0N-51	

## MOD70



NPN/PNP  
IP65



### Optional parts



STZ-50L

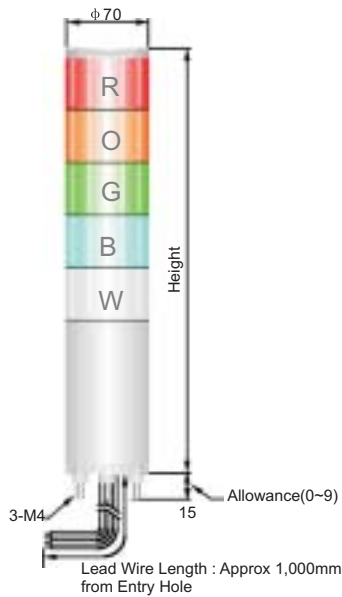


STZ-50T



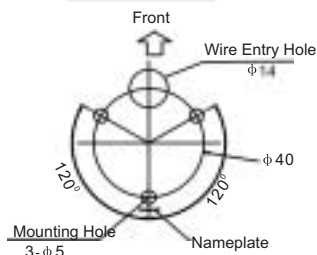
STZ-017

### Dimensions



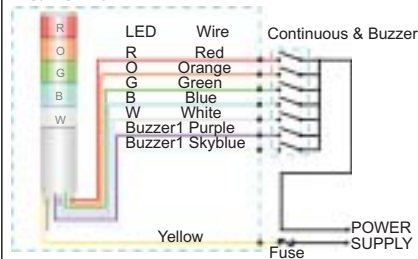
#### Height (mm)

- 1Light : 221
- 2Lights : 252
- 3Lights : 294
- 4Lights : 335
- 5Lights : 376

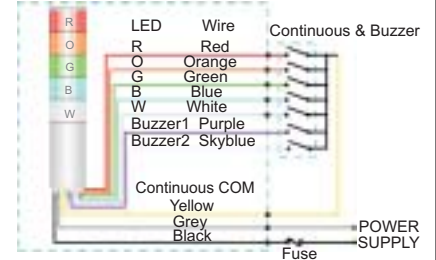


### Wiring Diagram in Direct Power Connection

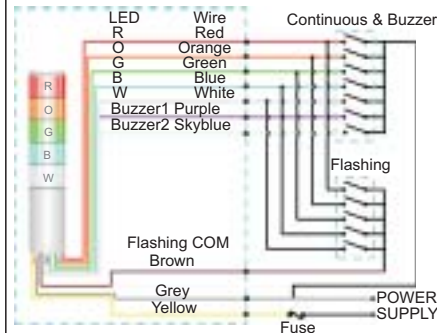
#### Continuous type AC/DC 12/24V



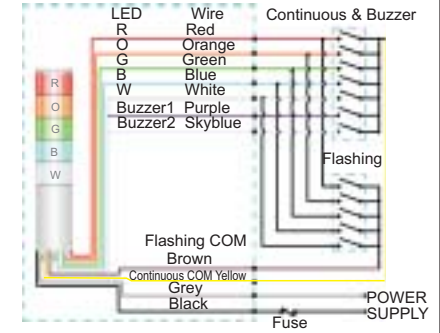
#### Continuous type AC 110/220V



#### Flashing type AC/DC 12/24V



#### Flashing type AC 110/220V



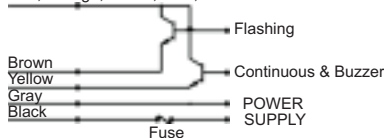
#### Wire colour

LED Unit Colour	Wire Colour
Red Unit	Red Wire
Orange Unit	Orange Wire
Green Unit	Green Wire
Blue Unit	Blue Wire
White Unit	White Wire

#### AC100/220V

##### NPN transistor

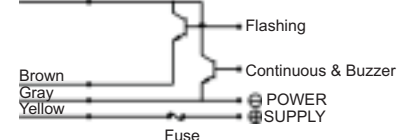
Red, Orange, Green, Blue, White



#### Open collector (24V)

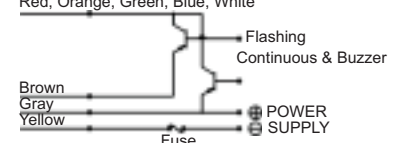
##### NPN transistor

Red, Orange, Green, Blue, White



##### PNP transistor

Red, Orange, Green, Blue, White



# SIGNAL TOWER

## Describing

- Colours: Super-high-intensity Red, Super-high-intensity Orange, Super-high-intensity Green, Super-high-intensity Blue, Super-high-intensity White(combination in photo is standard, for other Combinations, please contact us.
- Lens: Acrylic resin with superior weather resistance and light translucence.
- Thanks to the use of LEDs, there is no need to replace burned out bulbs.
- Our newly developed LED reflection system, improved luminosity and ends the problem of burned out bulbs.
- Because of the unified structure, the colour combinations can be easily changed.
- Meets IP-65 for wash-down requirements.
- The buzzer has 2 different gentle sounds high volume; 70~90dB/m.
- This model contains open-collector type NPN, PNP transistor which allows direct connection to Programmable Controller.(100V/220V type NPN only)
- The CSA & CE marking is available. The CSA approval number is 219967-143081.
- This series has Continuous, Continuous/Flashing, Continuous with warning sound and Continuous/Flashing type according to operation methods.
- This series has normal, with pole type according to Distinguish code.
- For details information, please refer to selection guide.
- Vibration Resistance: 10~55HZ Frequency,0.5mm amplitude in Y direction for 40 minutes.
- Shock resistance 500m/s<sup>2</sup> acceleration(approx.50G)in Y direction for three times.

## Type

### With pole

Style	Rated Voltage	Wattage	Model				Wire type
			Continuous Light	Continuous/Flashing Light	Continuous Light With Warning Sound	Continuous/Flashing Light With Warning Sound	
1 Light	AC/DC 12V	1.2W	MOD70-LA1C-11	MOD70-LC1C-11	MOD70-LD1C-11	MOD70-LF1C-11	Power source and Lead wire UL AWM1430 105° 300V VW-1 AWG20
	AC/DC 24V		MOD70-LA1F-11	MOD70-LC1F-11	MOD70-LD1F-11	MOD70-LF1F-11	
	AC 110V	3.5W	MOD70-LA1M-11	MOD70-LC1M-11	MOD70-LD1M-11	MOD70-LF1M-11	
	AC 220V		MOD70-LA1N-11	MOD70-LC1N-11	MOD70-LD1N-11	MOD70-LF1N-11	
2 Light	AC/DC 12V	2.4W	MOD70-LA1C-21	MOD70-LC1C-21	MOD70-LD1C-21	MOD70-LF1C-21	
	AC/DC 24V		MOD70-LA1F-21	MOD70-LC1F-21	MOD70-LD1F-21	MOD70-LF1F-21	
	AC 110V	5.2W	MOD70-LA1M-21	MOD70-LC1M-21	MOD70-LD1M-21	MOD70-LF1M-21	
	AC 220V		MOD70-LA1N-21	MOD70-LC1N-21	MOD70-LD1N-21	MOD70-LF1N-21	
3 Light	AC/DC 12V	3.6W	MOD70-LA1C-31	MOD70-LC1C-31	MOD70-LD1C-31	MOD70-LF1C-31	
	AC/DC 24V		MOD70-LA1F-31	MOD70-LC1F-31	MOD70-LD1F-31	MOD70-LF1F-31	
	AC 110V	7.2W	MOD70-LA1M-31	MOD70-LC1M-31	MOD70-LD1M-31	MOD70-LF1M-31	
	AC 220V		MOD70-LA1N-31	MOD70-LC1N-31	MOD70-LD1N-31	MOD70-LF1N-31	
4 Light	AC/DC 12V	4.8W	MOD70-LA1C-41	MOD70-LC1C-41	MOD70-LD1C-41	MOD70-LF1C-41	
	AC/DC 24V		MOD70-LA1F-41	MOD70-LC1F-41	MOD70-LD1F-41	MOD70-LF1F-41	
	AC 110V	8.7W	MOD70-LA1M-41	MOD70-LC1M-41	MOD70-LD1M-41	MOD70-LF1M-41	
	AC 220V		MOD70-LA1N-41	MOD70-LC1N-41	MOD70-LD1N-41	MOD70-LF1N-41	
5 Light	AC/DC 12V	6.0W	MOD70-LA1C-51	MOD70-LC1C-51	MOD70-LD1C-51	MOD70-LF1C-51	
	AC/DC 24V		MOD70-LA1F-51	MOD70-LC1F-51	MOD70-LD1F-51	MOD70-LF1F-51	
	AC 110V	10.5W	MOD70-LA1M-51	MOD70-LC1M-51	MOD70-LD1M-51	MOD70-LF1M-51	
	AC 220V		MOD70-LA1N-51	MOD70-LC1N-51	MOD70-LD1N-51	MOD70-LF1N-51	

### Without pole

Style	Rated Voltage	Wattage	Model				Wire type
			Continuous Light	Continuous/Flashing Light	Continuous Light With Warning Sound	Continuous/Flashing Light With Warning Sound	
1 Light	AC/DC 12V	1.2W	MOD70-LA0C-11	MOD70-LC0C-11	MOD70-LD0C-11	MOD70-LF0C-11	Power source and Lead wire UL AWM1430 105° 300V VW-1 AWG20
	AC/DC 24V		MOD70-LA0F-11	MOD70-LC0F-11	MOD70-LD0F-11	MOD70-LF0F-11	
	AC 110V	3.5W	MOD70-LA0M-11	MOD70-LC0M-11	MOD70-LD0M-11	MOD70-LF0M-11	
	AC 220V		MOD70-LA0N-11	MOD70-LC0N-11	MOD70-LD0N-11	MOD70-LF0N-11	
2 Light	AC/DC 12V	2.4W	MOD70-LA0C-21	MOD70-LC0C-21	MOD70-LD0C-21	MOD70-LF0C-21	
	AC/DC 24V		MOD70-LA0F-21	MOD70-LC0F-21	MOD70-LD0F-21	MOD70-LF0F-21	
	AC 110V	5.2W	MOD70-LA0M-21	MOD70-LC0M-21	MOD70-LD0M-21	MOD70-LF0M-21	
	AC 220V		MOD70-LA0N-21	MOD70-LC0N-21	MOD70-LD0N-21	MOD70-LF0N-21	
3 Light	AC/DC 12V	3.6W	MOD70-LA0C-31	MOD70-LC0C-31	MOD70-LD0C-31	MOD70-LF0C-31	
	AC/DC 24V		MOD70-LA0F-31	MOD70-LC0F-31	MOD70-LD0F-31	MOD70-LF0F-31	
	AC 110V	7.2W	MOD70-LA0M-31	MOD70-LC0M-31	MOD70-LD0M-31	MOD70-LF0M-31	
	AC 220V		MOD70-LA0N-31	MOD70-LC0N-31	MOD70-LD0N-31	MOD70-LF0N-31	
4 Light	AC/DC 12V	4.8W	MOD70-LA0C-41	MOD70-LC0C-41	MOD70-LD0C-41	MOD70-LF0C-41	
	AC/DC 24V		MOD70-LA0F-41	MOD70-LC0F-41	MOD70-LD0F-41	MOD70-LF0F-41	
	AC 110V	8.7W	MOD70-LA0M-41	MOD70-LC0M-41	MOD70-LD0M-41	MOD70-LF0M-41	
	AC 220V		MOD70-LA0N-41	MOD70-LC0N-41	MOD70-LD0N-41	MOD70-LF0N-41	
5 Light	AC/DC 12V	6.0W	MOD70-LA0C-51	MOD70-LC0C-51	MOD70-LD0C-51	MOD70-LF0C-51	
	AC/DC 24V		MOD70-LA0F-51	MOD70-LC0F-51	MOD70-LD0F-51	MOD70-LF0F-51	
	AC 110V	10.5W	MOD70-LA0M-51	MOD70-LC0M-51	MOD70-LD0M-51	MOD70-LF0M-51	
	AC 220V		MOD70-LA0N-51	MOD70-LC0N-51	MOD70-LD0N-51	MOD70-LF0N-51	

## Semi-manufactured goods order guide

### Light Units Order



MOD70+AD24+BLUE    MOD70+AD24+WHITE    MOD70+AD24+GREEN

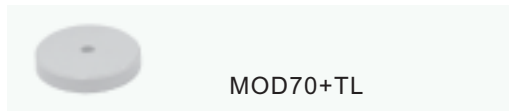
MOD70+AD24+ORANGE    MOD70+AD24+RED

**MOD70+AD12+GREEN**

<b>Series No.</b>	<b>Rate Voltage</b> AD12:AC/DC 12V AD24:AC/DC24V	<b>Light Colour</b> RED GREEN BLUE ORANGE WHITE
-------------------	--	--

Note: 1. AD12 Light units only for the 12V power supply.  
2. AD24 light units can be used in every voltage type, except 12V power supply.

### Top Cap Order

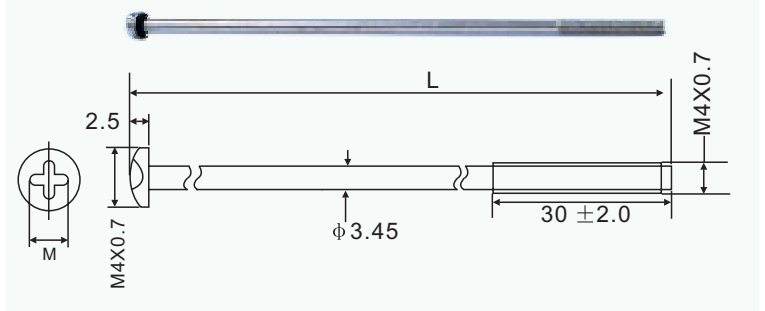


### Main Body Order

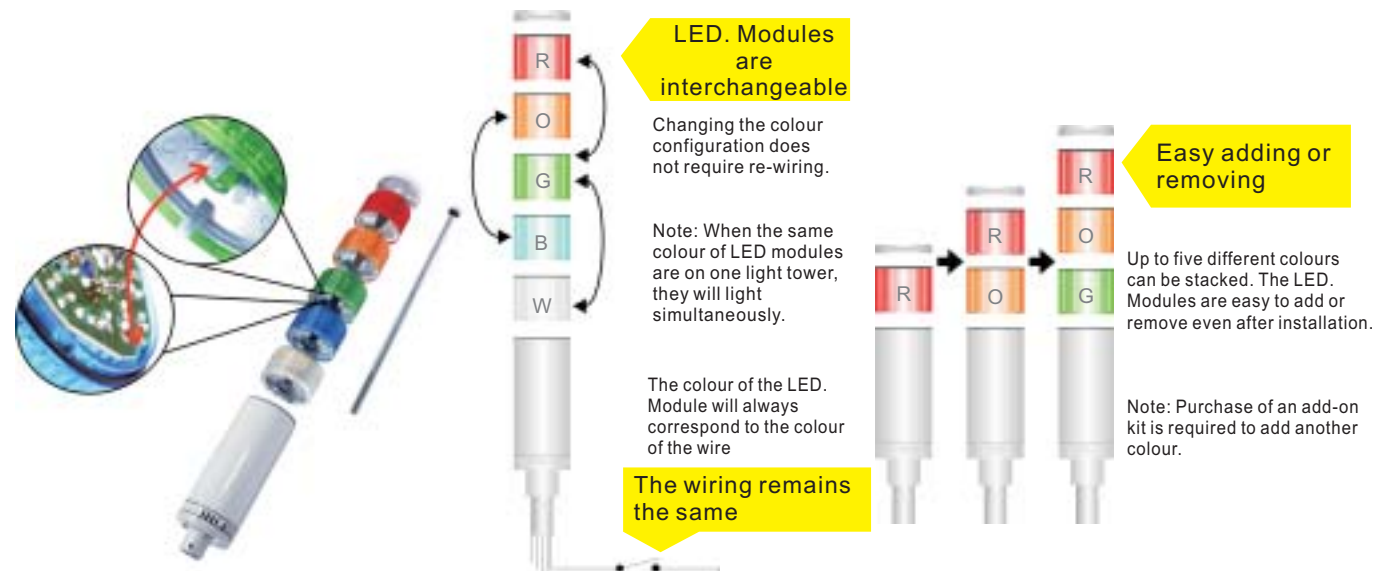


### Long Screw Order

Layer	Length(mm)	Model
1	59	MOD70+S1
2	101	MOD70+S2
3	142	MOD70+S3
4	183	MOD70+S4
5	225	MOD70+S5



### Assemble Guide



**LED. Modules are interchangeable**

Changing the colour configuration does not require re-wiring.

Note: When the same colour of LED modules are on one light tower, they will light simultaneously.

The colour of the LED. Module will always correspond to the colour of the wire

**The wiring remains the same**

**Easy adding or removing**

Up to five different colours can be stacked. The LED. Modules are easy to add or remove even after installation.

Note: Purchase of an add-on kit is required to add another colour.