

## MLD25

NPN/PNP

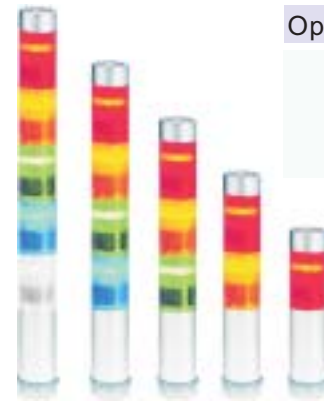
IP30



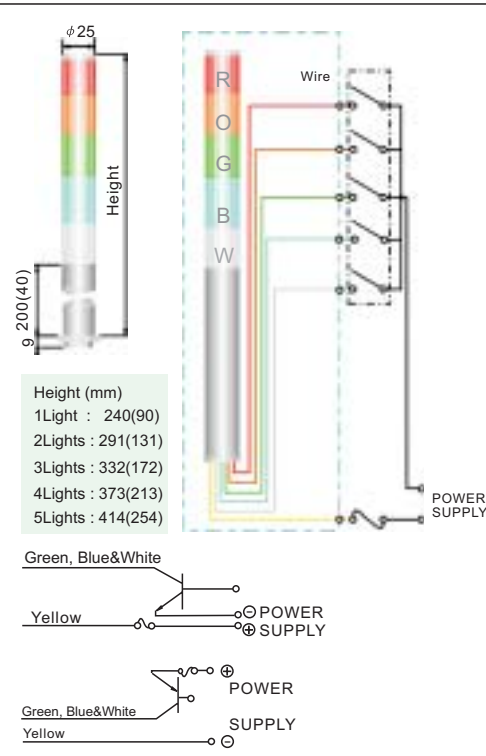
### Optional parts



### Optional parts



## Dimensions & Wiring Example



## Describing

- LED colours: Super-high-intensity Red, Super-high-intensity Orange, Super-high-intensity Green, Super-high-intensity Blue, Super-high-intensity -White.
- Bulb: Red, Orange, Green, Blue, White(combination in photo is standard; for other combinations, please contact us).
- Lens: Polycarbonate resin with superior resistance to impact and heat.
- The CSA & CE marking is available. The CSA approval number is 219967-143081.
- Prism-cut lens disperses the light source, improving visibility.
- Various kinds of information can be displayed by using different colours controlled by several(1 to 5) external signals.
- The body made of corrosion-resistant aluminum remains beautiful for a long time.
- Parallel pipe screw size used for threads of main body fixing part, Direct connection to flexible cable duct, etc.
- This model contains open-collector type NPN, PNP transistor which allows Direct connection to Programmable Controller.(24V type only)
- Vibration Resistance: 10~55HZ Frequency, 0.5mm amplitude in Y direction for 40 minutes.
- Shock resistance 500m/s<sup>2</sup> acceleration(approx.50G)in Y direction for three times.
- Custom body model is available as an extra cost option.

## Type

### LED type

Style	Rated Voltage	Wattage	Model	Wire type
			Continuous Light	
1Light	AC/DC 24V	1W	MLD25-LA0F-11	Power source and Lead wire UL AWM1430 105° 300V VW-1 AWG20
2Light	AC/DC 24V	2W	MLD25-LA0F-21	
3Light	AC/DC 24V	3W	MLD25-LA0F-31	
4Light	AC/DC 24V	4W	MLD25-LA0F-41	
5Light	AC/DC 24V	5W	MLD25-LA0F-51	

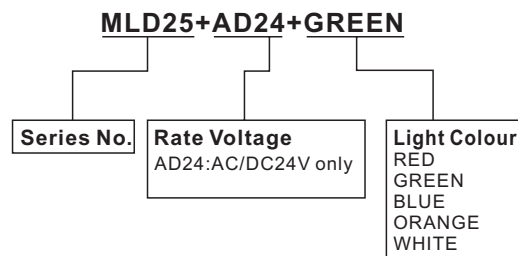
### Bulb type

Style	Rated Voltage	Bulb	Model	Wire type
			Continuous Light	
1 Light	AC/DC 12V	12V 3W	MLD25-BA0C-11	Power source and Lead wire UL AWM1430 105° 300V VW-1 AWG20
	AC/DC 24V	24V 3W	MLD25-BA0F-11	
	AC 110V	110V 5W	MLD25-BA0M-11	
2 Light	AC/DC 12V	12V 3W	MLD25-BA0C-21	
	AC/DC 24V	24V 3W	MLD25-BA0F-21	
	AC 110V	110V 5W	MLD25-BA0M-21	
3 Light	AC/DC 12V	12V 3W	MLD25-BA0C-31	
	AC/DC 24V	24V 3W	MLD25-BA0F-31	
	AC 110V	110V 5W	MLD25-BA0M-31	
4 Light	AC/DC 12V	12V 3W	MLD25-BA0C-41	
	AC/DC 24V	24V 3W	MLD25-BA0F-41	
	AC 110V	110V 5W	MLD25-BA0M-41	
5 Light	AC/DC 12V	12V 3W	MLD25-BA0C-51	
	AC/DC 24V	24V 3W	MLD25-BA0F-51	
	AC 110V	110V 5W	MLD25-BA0M-51	

# SIGNAL TOWER

## Semi-manufactured goods order guide(for LED only)

### Light Units Order



### Top Cap Order



### Main Body Order

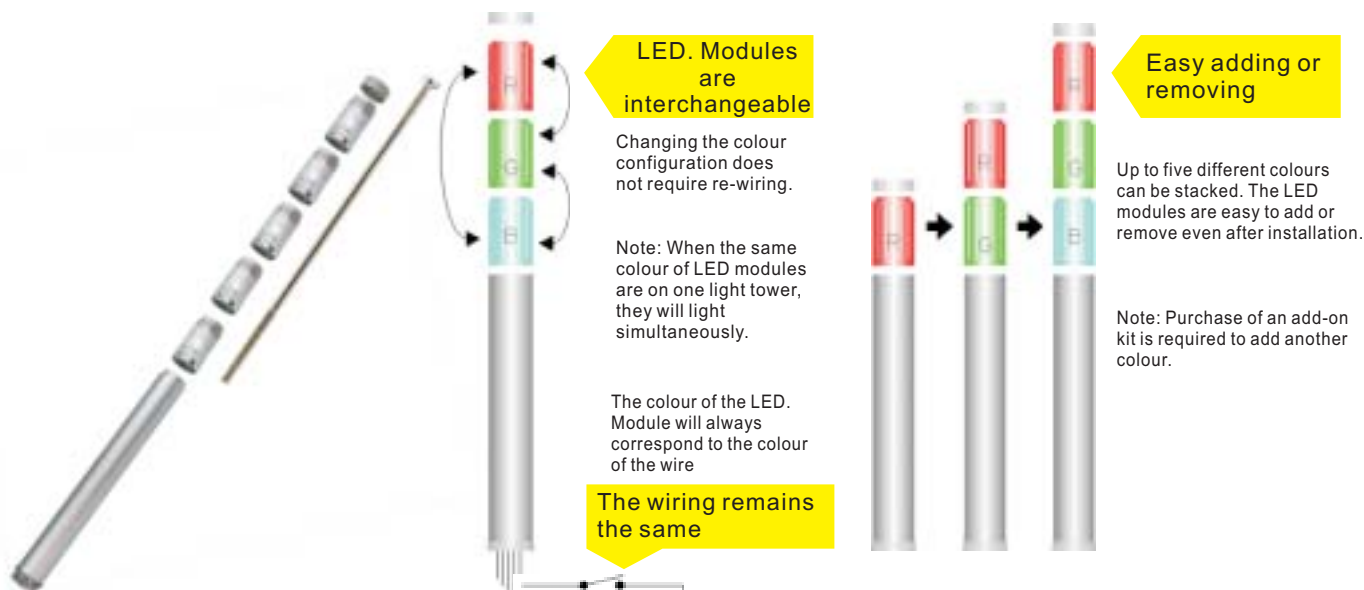


### Long Screw Order

Layer	Length	P/N
1	62	MLD25-S1
2	103	MLD25-S2
3	144	MLD25-S3
4	185	MLD25-S4
5	226	MLD25-S5



### Assemble Guide



## MLD40

Vibration Resistant

NPN/PNP

IP20



### Optional parts



STZ-012

STZ-011

### Optional parts



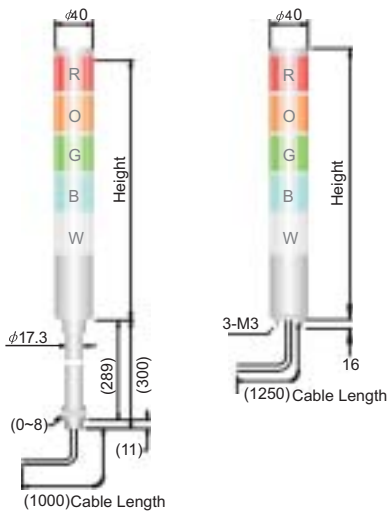
STLP-001

STL-001

STZ-014



### Dimensions

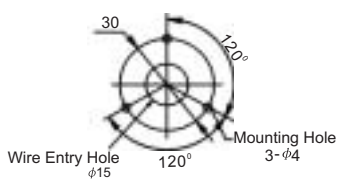


Height (mm)

1Light : 121  
 2Lights : 176  
 3Lights : 232  
 4Lights : 287  
 5Lights : 342

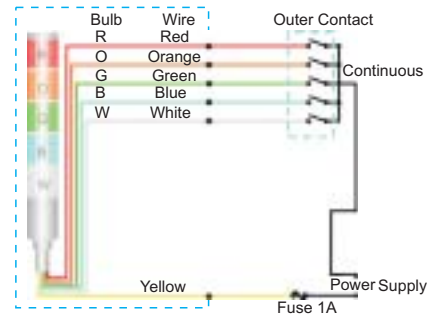
Height (mm)

1Light : 166  
 2Lights : 221  
 3Lights : 277  
 4Lights : 332  
 5Lights : 387

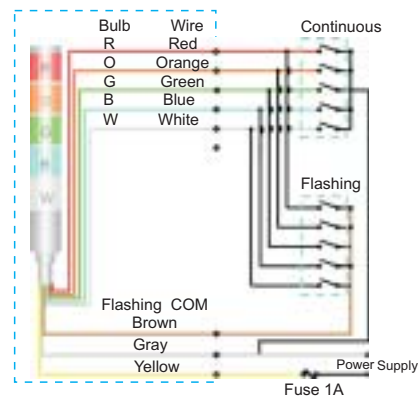


### Wiring Diagram In Direct Power Connection

#### Continuous type



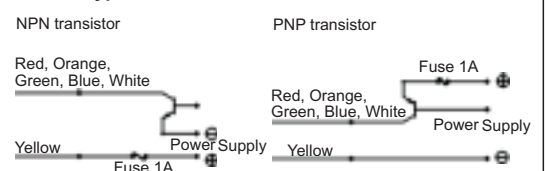
#### Flashing type



#### Wire colour

Bulb Unit Colour	Wire Colour
Red Unit	Red Wire
Orange Unit	Orange Wire
Green Unit	Green Wire
Blue Unit	Blue Wire
White Unit	White Wire

#### 24V DC Type



# SIGNAL TOWER

## Describing

- Colours: Red, Orange, Green, Blue, White .
- Lens: Polycarbonate resin with superior resistance to impact and heat.
- The unique vibration absorbing structure using new materials helps reduce vibration and impact from all machines and devices, greatly extending bulb life.
- Colour combinations can be easily changed.
- Prism-cut lens disperses the light source, improving visibility.
- Various types of information can be displayed by using different colours controlled by several (1 to 5) external signals.
- The CSA & CE marking is available. The CSA approval number is 219967-143081.
- This series has Continuous and Continuous/Flashing type according to operation methods.
- This series has Normal, With pole, Paint, Paint and with pole type according to Distinguish code.
- For details information please refer to selection guide.
- Vibration Resistance: 10~55HZ Frequency, 0.5mm amplitude in Y direction for 40 minutes.
- Shock resistance 500m/s<sup>2</sup> acceleration (approx. 50G) in Y direction for three times.

## Type

### With pole

Style	Rated Voltage	Bulb	Model		Wire type
			Continuous Light	Continuous/Flashing Light	
1 Light	AC/DC 12V	12V 3W	MLD40-BA1C-11	MLD40-BC1C-11	Power source and Lead wire UL AWM1430 105° 300V VW-1 AWG20
	AC/DC 24V	24V 3W	MLD40-BA1F-11	MLD40-BC1F-11	
	AC 110V	110V 5W	MLD40-BA1M-11	MLD40-BC1M-11	
	AC 220V	240V5W	MLD40-BA1N-11	MLD40-BC1N-11	
2 Light	AC/DC 12V	12V 3W	MLD40-BA1C-21	MLD40-BC1C-21	
	AC/DC 24V	24V 3W	MLD40-BA1F-21	MLD40-BC1F-21	
	AC 110V	110V 5W	MLD40-BA1M-21	MLD40-BC1M-21	
	AC 220V	240V5W	MLD40-BA1N-21	MLD40-BC1N-21	
3 Light	AC/DC 12V	12V 3W	MLD40-BA1C-31	MLD40-BC1C-31	
	AC/DC 24V	24V 3W	MLD40-BA1F-31	MLD40-BC1F-31	
	AC 110V	110V 5W	MLD40-BA1M-31	MLD40-BC1M-31	
	AC 220V	240V5W	MLD40-BA1N-31	MLD40-BC1N-31	
4 Light	AC/DC 12V	12V 3W	MLD40-BA1C-41	MLD40-BC1C-41	
	AC/DC 24V	24V 3W	MLD40-BA1F-41	MLD40-BC1F-41	
	AC 110V	110V 5W	MLD40-BA1M-41	MLD40-BC1M-41	
	AC 220V	240V5W	MLD40-BA1N-41	MLD40-BC1N-41	
5 Light	AC/DC 12V	12V 3W	MLD40-BA1C-51	MLD40-BC1C-51	
	AC/DC 24V	24V 3W	MLD40-BA1F-51	MLD40-BC1F-51	
	AC 110V	110V 5W	MLD40-BA1M-51	MLD40-BC1M-51	
	AC 220V	240V5W	MLD40-BA1N-51	MLD40-BC1N-51	

### Without pole

Style	Rated Voltage	Bulb	Model		Wire type
			Continuous Light	Continuous/Flashing Light	
1 Light	AC/DC 12V	12V 3W	MLD40-BA0C-11	MLD40-BC0C-11	Power source and Lead wire UL AWM1430 105° 300V VW-1 AWG20
	AC/DC 24V	24V 3W	MLD40-BA0F-11	MLD40-BC0F-11	
	AC 110V	110V 5W	MLD40-BA0M-11	MLD40-BC0M-11	
	AC 220V	240V5W	MLD40-BA0N-11	MLD40-BC0N-11	
2 Light	AC/DC 12V	12V 3W	MLD40-BA0C-21	MLD40-BC0C-21	
	AC/DC 24V	24V 3W	MLD40-BA0F-21	MLD40-BC0F-21	
	AC 110V	110V 5W	MLD40-BA0M-21	MLD40-BC0M-21	
	AC 220V	240V5W	MLD40-BA0N-21	MLD40-BC0N-21	
3 Light	AC/DC 12V	12V 3W	MLD40-BA0C-31	MLD40-BC0C-31	
	AC/DC 24V	24V 3W	MLD40-BA0F-31	MLD40-BC0F-31	
	AC 110V	110V 5W	MLD40-BA0M-31	MLD40-BC0M-31	
	AC 220V	240V5W	MLD40-BA0N-31	MLD40-BC0N-31	
4 Light	AC/DC 12V	12V 3W	MLD40-BA0C-41	MLD40-BC0C-41	
	AC/DC 24V	24V 3W	MLD40-BA0F-41	MLD40-BC0F-41	
	AC 110V	110V 5W	MLD40-BA0M-41	MLD40-BC0M-41	
	AC 220V	240V5W	MLD40-BA0N-41	MLD40-BC0N-41	
5 Light	AC/DC 12V	12V 3W	MLD40-BA0C-51	MLD40-BC0C-51	
	AC/DC 24V	24V 3W	MLD40-BA0F-51	MLD40-BC0F-51	
	AC 110V	110V 5W	MLD40-BA0M-51	MLD40-BC0M-51	
	AC 220V	240V5W	MLD40-BA0N-51	MLD40-BC0N-51	

## MLD40

NPN/PNP  
IP30



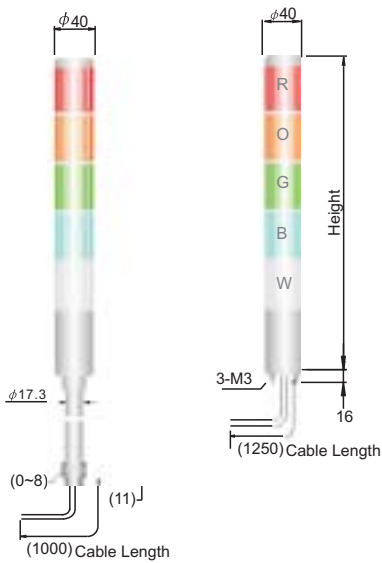
### Optional parts



### Optional parts



### Dimensions

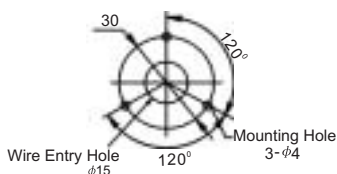


#### Height (mm)

1Light	: 166
2Lights	: 221
3Lights	: 277
4Lights	: 332
5Lights	: 387

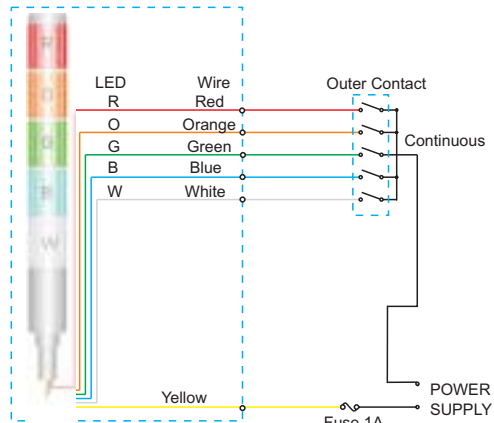
#### Height (mm)

1Light	: 121
2Lights	: 176
3Lights	: 232
4Lights	: 287
5Lights	: 342

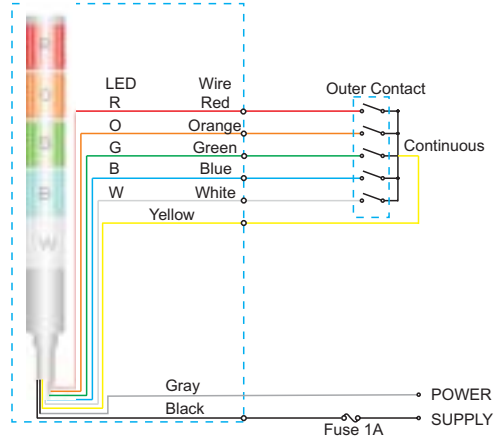


### Wiring Diagram In Direct Power Connection

#### Continuous type 12V/24V type



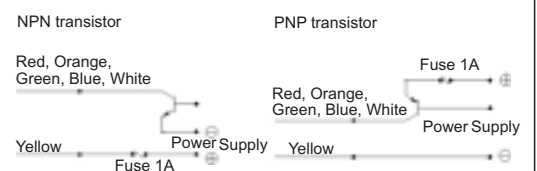
#### 110V type



#### Wire colour

LED Unit Colour	Wire Colour
Red Unit	Red Wire
Orange Unit	Orange Wire
Green Unit	Green Wire
Blue Unit	Blue Wire
White Unit	White Wire

#### 24V DC Type



# SIGNAL TOWER

## Describing

- Colours: Super-high-intensity Red, Super-high-intensity Orange, Super-high-intensity Green, Super-high-intensity Blue, super-high-intensity White.
- Lens: Polycarbonate resin with superior resistance to impact and heat.
- Our newly developed LED reflection system, improved luminosity and ends the problem of burned out bulbs. Due to the newly designed structure with independent colour unit, colour combinations can be easily changed.
- Prism-cut lens disperses the light source, improving visibility.
- This model contains open-collector type NPN, PNP transistor which allows direct connection to Programmable Controller. (24V type only)
- The CSA & CE marking is available. The CSA approval number is 219967-143081.
- This series has continuous type according to operation methods.
- This series has normal, with pole type according to Distinguish code.
- For details information, please refer to selection guide.
- Vibration Resistance: 10~55HZ Frequency, 0.5mm amplitude in Y direction for 40 minutes.
- Shock resistance 500m/s<sup>2</sup> acceleration (approx. 50G) in Y direction for three times.

## Type

### ■ With pole

Style	Rated Voltage	Wattage	Model	Wire type
			Continuous Light	
1 Light	AC/DC 24V	2W	MLD40-LA1F-11	Power source and Lead wire UL AWM1430 105° 300V VW-1 AWG20
	AC 110V	2.5W	MLD40-LA1M-11	
2 Light	AC/DC 24V	4W	MLD40-LA1F-21	
	AC 110V	5W	MLD40-LA1M-21	
3 Light	AC/DC 24V	6W	MLD40-LA1F-31	
	AC 110V	7.5W	MLD40-LA1M-31	
4 Light	AC/DC 24V	8W	MLD40-LA1F-41	
	AC 110V	10W	MLD40-LA1M-41	
5 Light	AC/DC 24V	10W	MLD40-LA1F-51	
	AC 110V	12.5W	MLD40-LA1M-51	

### ■ Without pole

Style	Rated Voltage	Wattage	Model	Wire type
			Continuous Light	
1 Light	AC/DC 24V	2W	MLD40-LA0F-11	Power source and Lead wire UL AWM1430 105° 300V VW-1 AWG20
	AC 110V	2.5W	MLD40-LA0M-11	
2 Light	AC/DC 24V	4W	MLD40-LA0F-21	
	AC 110V	5W	MLD40-LA0M-21	
3 Light	AC/DC 24V	6W	MLD40-LA0F-31	
	AC 110V	7.5W	MLD40-LA0M-31	
4 Light	AC/DC 24V	8W	MLD40-LA0F-41	
	AC 110V	10W	MLD40-LA0M-41	
5 Light	AC/DC 24V	10W	MLD40-LA0F-51	
	AC 110V	12.5W	MLD40-LA0M-51	

## Semi-manufactured goods order guide

### Light Units Order

MOD40+AD24+RED      MOD40+AD24+ORANGE      MOD40+AD24+GREEN

MOD40+AD24+BLUE      MOD40+AD24+WHITE

**MOD40+AD24+GREEN**

Series No.	Rate Voltage AD24:AC/DC24V only	Light Colour Red Green Blue Orange White
------------	------------------------------------	---

### Top Cap Order

MLD40+TL

### Main Body Order

Model type+M  
(E.g.: MLD40-LE1F-11+M)

### Long Screw Order

Layer	A1(PCS)	A2(PCS)	P/N
1	1	0	MLD40-S1
2	1	1	MLD40-S2
3	1	2	MLD40-S3
4	1	3	MLD40-S4
5	1	4	MLD40-S5

A1 (P/N: MLD40-A1)

A2 (P/N: MLD40-A2)

### Assemble Guide

**LED. Modules are interchangeable**

Changing the colour configuration does not require re-wiring.  
Note: When the same colour of LED modules are on one light tower, they will light simultaneously.

**The wiring remains the same**

The colour of the LED. Module will always correspond to the colour of the wire

**Easy adding or removing**

Up to five different colours can be stacked. The LED modules are easy to add or remove even after installation.

Note: Purchase of an add-on kit is required to add another colour.

# SIGNAL TOWER

## MAD40

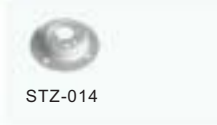


Vibration Resistant

NPN/PNP  
IP20



Optional parts



STZ-014



Optional parts

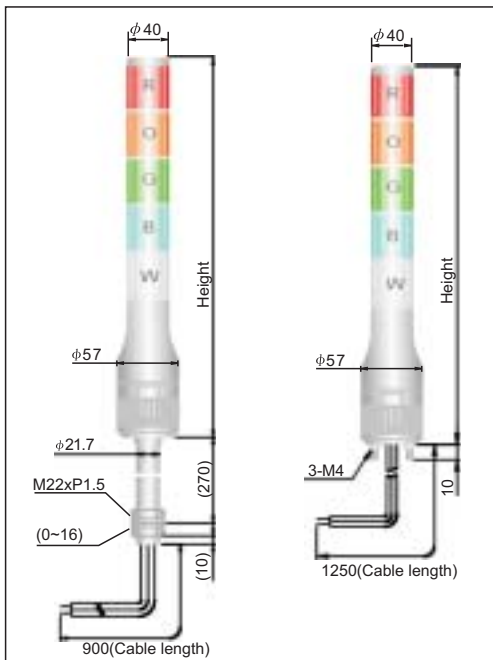


STZ-013

STZ-010

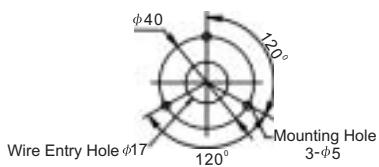
STZ-017

### Dimensions



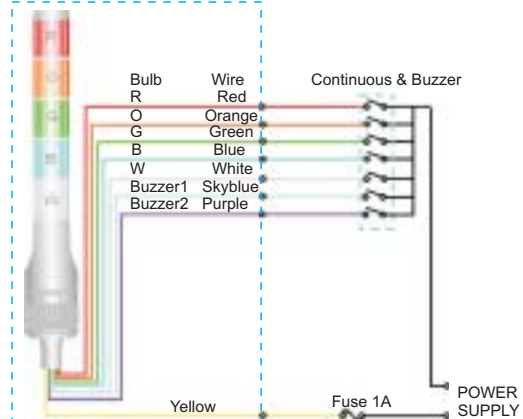
Height (mm)

- 1Light : 185
- 2Lights : 240
- 3Lights : 295
- 4Lights : 350
- 5Lights : 405

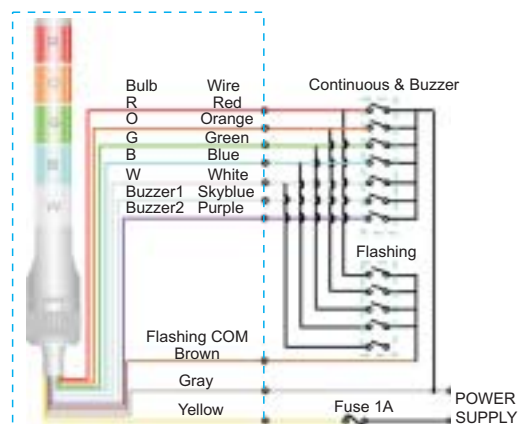


### Wiring Diagram In Direct Power Connection

#### Continuous type



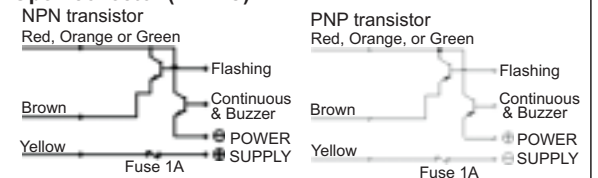
#### Flashing type



#### Wire colour

Bulb Unit Colour	Wire Colour
Red Unit	Red Wire
Orange Unit	Orange Wire
Green Unit	Green Wire
Blue Unit	Blue Wire
White Unit	White Wire

#### Open collector (24VDC)



## Describing

- Colours: Red, Orange, Green, Blue, White (combination in photo is standard; for other combinations, please Contact us)
- Lens: Polycarbonate resin with superior resistance to impact and heat.
- The unique vibration absorbing structure using new materials helps reduce vibration and impact from all machines and devices, greatly extending bulb life.
- The buzzer has 2 different gentle sounds high volume: 80dB/m.
- Colour combinations can be easily changed.
- Prism-cut lens disperses the light source, improving visibility.
- This model contains open-collector type NPN, PNP transistor which allows direct connection to Programmable Controller. (24V type only).
- Various types of information can be displayed by using different colours controlled by several (1 to 5) external signals.
- The CSA & CE marking is available. The CSA approval number is 219967-143081.
- This series has Continuous Light with warning sound and Continuous/Flashing Light with warning sound type According to operation methods.
- This series has normal, with pole type according to Distinguish code.
- For details information, please refer to selection guide.
- Vibration Resistance: 10~55HZ Frequency, 0.5mm amplitude in Y direction for 40 minutes.
- Shock resistance 500m/s<sup>2</sup> acceleration (approx. 50G) in Y direction for three times.

## Type

### With pole

Style	Rated Voltage	Bulb	Model		Wire type
			Continuous Light With Warning Sound	Continuous/Flashing Light With Warning Sound	
1 Light	AC/DC 24V	24V 3W	MAD40-BD1F-11	MAD40-BF1F-11	Power source and Lead wire UL AWM1430 105° 300V VW-1 AWG20
	AC 110V	110V 5W	MAD40-BD1M-11	MAD40-BF1M-11	
	AC 220V	240V5W	MAD40-BD1N-11	MAD40-BF1N-11	
2 Light	AC/DC 24V	24V 0.11A	MAD40-BD1F-21	MAD40-BF1F-21	
	AC 110V	110V 5W	MAD40-BD1M-21	MAD40-BF1M-21	
	AC 220V	240V5W	MAD40-BD1N-21	MAD40-BF1N-21	
3 Light	AC/DC 24V	24V 3W	MAD40-BD1F-31	MAD40-BF1F-31	
	AC 110V	110V 5W	MAD40-BD1M-31	MAD40-BF1M-31	
	AC 220V	240V5W	MAD40-BD1N-31	MAD40-BF1N-31	
4 Light	AC/DC 24V	24V 3W	MAD40-BD1F-41	MAD40-BF1F-41	
	AC 110V	110V 5W	MAD40-BD1M-41	MAD40-BF1M-41	
	AC 220V	240V5W	MAD40-BD1N-41	MAD40-BF1N-41	
5 Light	AC/DC 24V	24V 3W	MAD40-BD1F-51	MAD40-BF1F-51	
	AC 110V	110V 5W	MAD40-BD1M-51	MAD40-BF1M-51	
	AC 220V	240V5W	MAD40-BD1N-51	MAD40-BF1N-51	

### Without pole

Style	Rated Voltage	Bulb	Model		Wire type
			Continuous Light With Warning Sound	Continuous/Flashing Light With Warning Sound	
1 Light	AC/DC 24V	24V 3W	MAD40-BD0F-11	MAD40-BF0F-11	Power source and Lead wire UL AWM1430 105° 300V VW-1 AWG20
	AC 110V	110V 5W	MAD40-BD0M-11	MAD40-BF0M-11	
	AC 220V	240V5W	MAD40-BD0N-11	MAD40-BF0N-11	
2 Light	AC/DC 24V	24V 3W	MAD40-BD0F-21	MAD40-BF0F-21	
	AC 110V	110V 5W	MAD40-BD0M-21	MAD40-BF0M-21	
	AC 220V	240V5W	MAD40-BD0N-21	MAD40-BF0N-21	
3 Light	AC/DC 24V	24V 3W	MAD40-BD0F-31	MAD40-BF0F-31	
	AC 110V	110V 5W	MAD40-BD0M-31	MAD40-BF0M-31	
	AC 220V	240V5W	MAD40-BD0N-31	MAD40-BF0N-31	
4 Light	AC/DC 24V	24V 3W	MAD40-BD0F-41	MAD40-BF0F-41	
	AC 110V	110V 5W	MAD40-BD0M-41	MAD40-BF0M-41	
	AC 220V	240V5W	MAD40-BD0N-41	MAD40-BF0N-41	
5 Light	AC/DC 24V	24V 3W	MAD40-BD0F-51	MAD40-BF0F-51	
	AC 110V	110V 5W	MAD40-BD0M-51	MAD40-BF0M-51	
	AC 220V	240V5W	MAD40-BD0N-51	MAD40-BF0N-51	

# SIGNAL TOWER

## MAD40



Vibration Resistant

NPN/PNP  
IP20



### Optional parts



STZ-014

### Optional parts

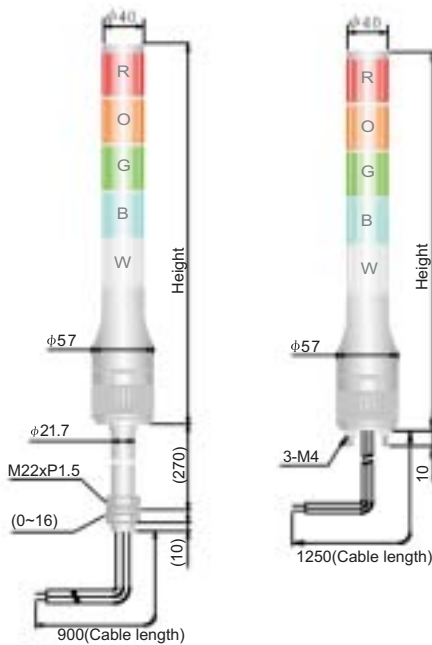
STZ-013

STZ-010

STZ-017

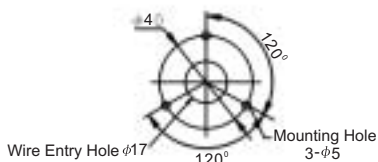


## Dimensions



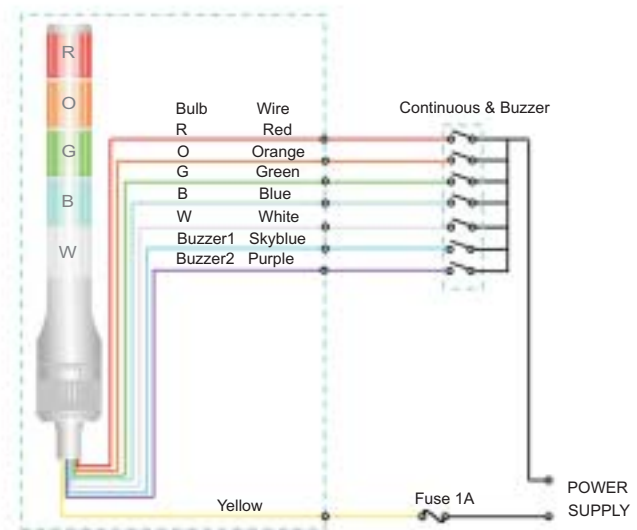
Height (mm)

- 1Light : 185
- 2Lights : 240
- 3Lights : 295
- 4Lights : 350
- 5Lights : 405



## Wiring Diagram In Direct Power Connection

### Continuous Type



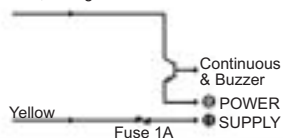
### Wire Colour

LED Unit Colour	Wire Colour
Red Unit	Red Wire
Orange Unit	Orange Wire
Green Unit	Green Wire
Blue Unit	Blue Wire
White Unit	White Wire

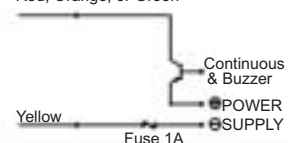
# Five wires (Red, Orange, Green, Blue, White) are connected regardless of the number of LED Unit.

### Open Collector (24V)

NPN Transistor  
Red, Orange or Green



PNP Transistor  
Red, Orange, or Green



## Describing

- Colours: Super-high-intensity Red, Super-high-intensity Orange, Super-high-intensity Green, Super-high-intensity Blue, Super-high-intensity White (combination in photo is standard, for other combinations, please contact us).
- Lens: Polycarbonate resin with superior resistance to impact and heat.  
Various types of information can be displayed by using different colours controlled by several (1 to 5) external signals.
- Our LED reflection system, improved luminosity and ends the problem of burned out bulbs.
- The buzzer has 2 different gentle sounds high volume; 80dB/m
- Colour combinations can be easily changed.
- This model contains open-collector type NPN, PNP transistor which allows direct connection to Programmable Controller.(24V type only)
- Customer poles up to 1000mm long are available as an extra cost option.
- The CSA & CE marking is available. The CSA approval number is 219967-143081.
- This series only has continuous light with warning sound according to operation method.
- This series has Normal, With pole, Paint, according to Distinguish code.
- For details information please refer to selection guide.
- Vibration Resistance: 10~55HZ Frequency, 0.5mm amplitude in Y direction for 40 minutes.
- Shock resistance 500m/s<sup>2</sup> acceleration (approx. 50G) in Y direction for three times.

## Type

### With pole

Style	Rated Voltage	Wattage	Model	Wire type
			Continuous Light With Warning Sound	
1 Light	AC/DC 24V	2W	MAD40-LD1F-11	Power source and Lead wire UL AWM1430 105° 300V VW-1 AWG20
	AC 110V	2.5W	MAD40-LD1M-11	
2 Light	AC/DC 24V	4W	MAD40-LD1F-21	
	AC 110V	5W	MAD40L-D1M-21	
3 Light	AC/DC 24V	6W	MAD40-LD1F-31	
	AC 110V	7.5W	MAD40-LD1M-31	
4 Light	AC/DC 24V	8W	MAD40-LD1F-41	
	AC 110V	10W	MAD40-LD1M-41	
5 Light	AC/DC 24V	10W	MAD40-LD1F-51	
	AC 110V	12.5W	MAD40-LD1M-51	


### Without pole

Style	Rated Voltage	Wattage	Model	Wire type
			Continuous Light With Warning Sound	
1 Light	AC/DC 24V	2W	MAD40-LD0F-11	Power source and Lead wire UL AWM1430 105° 300V VW-1 AWG20
	AC 110V	2.5W	MAD40-LD0M-11	
2 Light	AC/DC 24V	4W	MAD40-LD0F-21	
	AC 110V	5W	MAD40L-D0M-21	
3 Light	AC/DC 24V	6W	MAD40-LD0F-31	
	AC 110V	7.5W	MAD40-LD0M-31	
4 Light	AC/DC 24V	8W	MAD40-LD0F-41	
	AC 110V	10W	MAD40-LD0M-41	
5 Light	AC/DC 24V	10W	MAD40-LD0F-51	
	AC 110V	12.5W	MAD40-LD0M-51	

# SIGNAL TOWER

## Semi-manufactured goods order guide

### Light Units Order



MOD40+AD24+RED      MOD40+AD24+ORANGE      MOD40+AD24+GREEN

MOD40+AD24+BLUE      MOD40+AD24+WHITE

**MOD40+AD24+GREEN**

<b>Series No.</b>	<b>Rate Voltage</b> AD24:AC/DC24V only	<b>Light Colour</b> RED GREEN BLUE ORANGE WHITE
-------------------	---	--

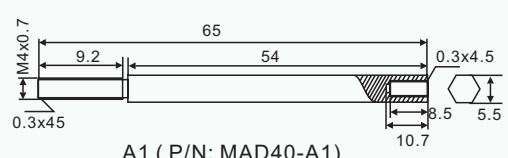
### Top Cap Order



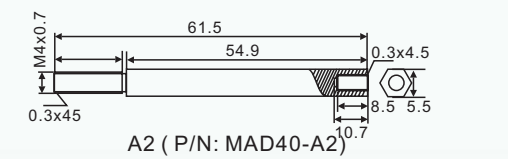
MAD40+TL

### Long Screw Order

Layer	A1 (PCS)	A2 (PCS)	P/N
1	1	0	MAD40-S1
2	1	1	MAD40-S2
3	1	2	MAD40-S3
4	1	3	MAD40-S4
5	1	4	MAD40-S5



A1 ( P/N: MAD40-A1)



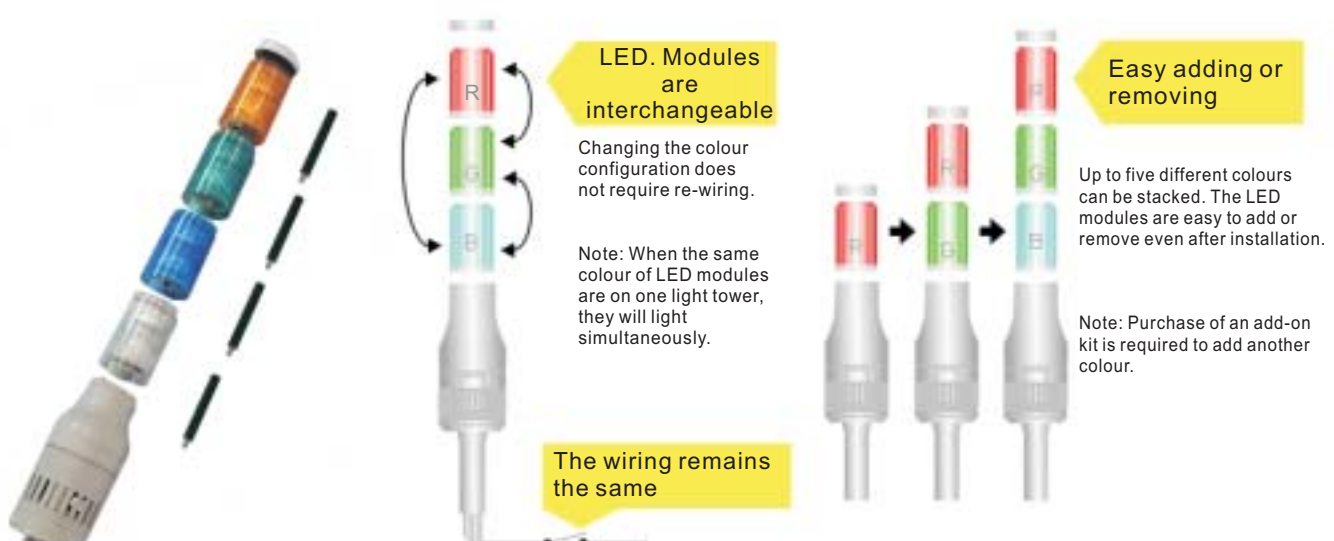
A2 ( P/N: MAD40-A2)

### MainBody Order



Model type+M  
(E.g.: MAD40-LD1F-11+M)

### Assemble Guide



**LED Modules are interchangeable**

Changing the colour configuration does not require re-wiring.

Note: When the same colour of LED modules are on one light tower, they will light simultaneously.

**The wiring remains the same**

The colour of the LED Module will always correspond to the colour of the wire

**Easy adding or removing**

Up to five different colours can be stacked. The LED modules are easy to add or remove even after installation.

Note: Purchase of an add-on kit is required to add another colour.

## MOD50



### Optional parts



STZ-014

### Optional parts



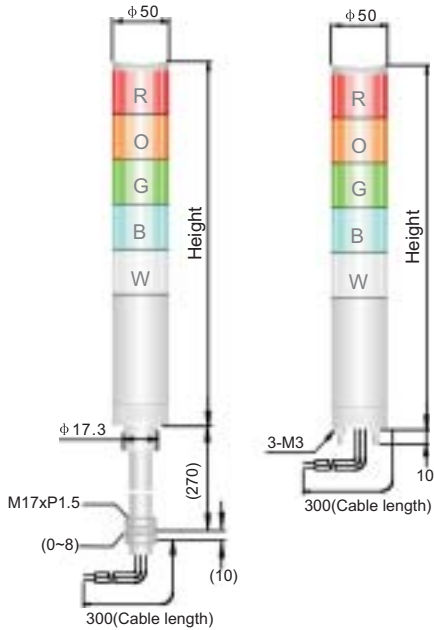
STZ-012



STZ-011



## Dimensions

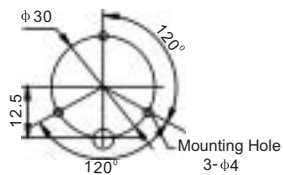


### Height (mm)

1Light	: 135
2Lights	: 165
3Lights	: 195
4Lights	: 225
5Lights	: 255

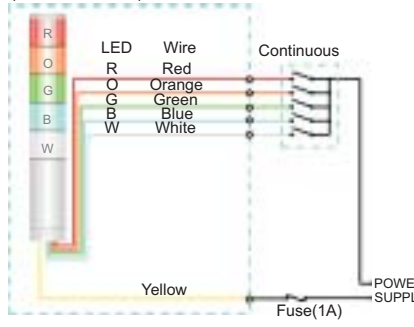
### Height (mm)

1Light	: 205
2Lights	: 235
3Lights	: 265
4Lights	: 295
5Lights	: 325

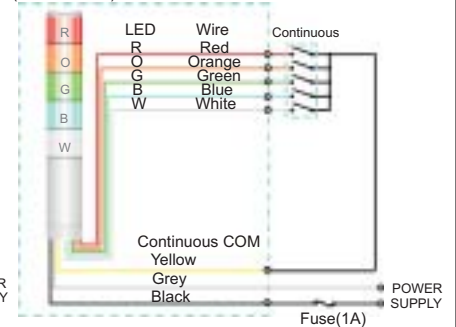


## Wiring Diagram In Direct Power Connection

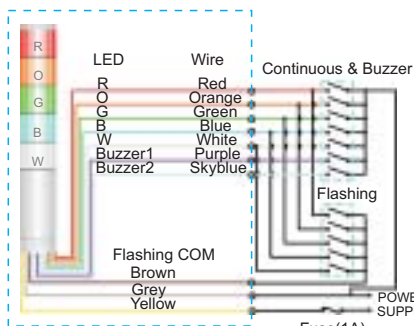
### Continuous type (12/24V AC/DC)



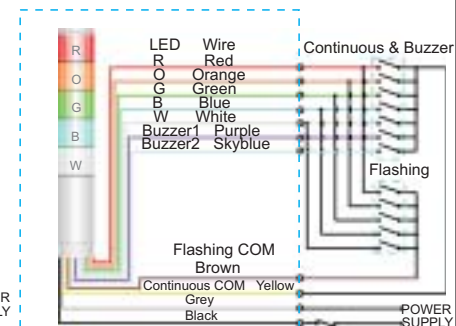
### Continuous type (110/220V AC)



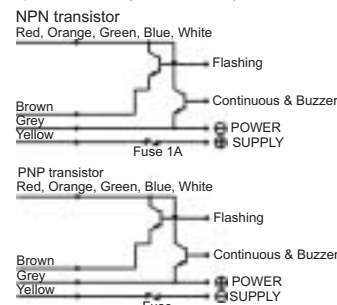
### Flashing type (12/24VAC/DC)



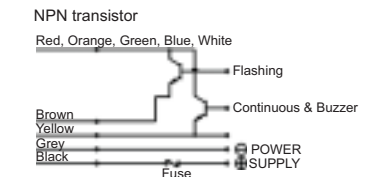
### Flashing type (110V/220V AC)



### Open collector (12/24VAC/DC)



### Open collector (110/220VAC)



# SIGNAL TOWER

## Describing

- Colours: Super-high-intensity Red, Super-high-intensity Orange, Super-high-intensity Green, Super-high-intensity Blue, Super-high-intensity White(combination in photo is standard, for other combinations, please contact us.)
- Lens: Acrylic resin with superior weather resistance and light translucence.
- Due to the newly developed double-reflection system, use of just one unit ensures visibility.
- A simple unified system ensures a low product cost combined with a reduced consumption of electricity.
- Due to the use of LEDs, there is no need to replace burned out bulbs.
- Prism-cut lens disperses the light source, improving visibility, an improved visibility from below left and right.
- Water and dust proof, conforms to international standard IP54, Can be used indoors and outdoors equally well.
- The buzzer has 2 different gentle sounds high volume;85dB/m
- Because of the unified structure, the colour combinations can be easily changed.
- This model contains open-collector type NPN, PNP transistors which allow direct connection to programmable Controller.The NPN open collector is available in 100V and 220V models.
- The CSA & CE marking is available. The CSA approval number is 219967-143081.
- This series has Continuous Light and Continuous /Flashing with warning sound type according to operation methods.
- This series has normal, with pole type according to Distinguish code.
- For details information, please refer to selection guide.
- Vibration Resistance: 10~55HZ Frequency,0.5mm amplitude in Y direction for 40 minutes.
- Shock resistance 500m/s<sup>2</sup> acceleration(approx.50G)in Y direction for three times.

## Type

### ■ With pole


Style	Rated Voltage	Wattage	Model		Wire type
			Continuous Light	Continuous/Flashing Light With Warning Sound	
1 Light	AC/DC 12V	0.6W	MOD50-LA1C-11	MOD50-LF1C-11	Power source and Lead wire UL AWM1430 105° 300V VW-1 AWG20
	AC/DC 24V		MOD50-LA1F-11	MOD50-LF1F-11	
	AC 110V	3.4W	MOD50-LA1M-11	MOD50-LF1M-11	
	AC 220V		MOD50-LA1N-11	MOD50-LF1N-11	
2 Light	AC/DC 12V	1.2W	MOD50-LA1C-21	MOD50-LF1C-21	
	AC/DC 24V		MOD50-LA1F-21	MOD50-LF1F-21	
	AC 110V	4.3W	MOD50-LA1M-21	MOD50-LF1M-21	
	AC 220V		MOD50-LA1N-21	MOD50-LF1N-21	
3 Light	AC/DC 12V	1.7W	MOD50-LA1C-31	MOD50-LF1C-31	
	AC/DC 24V		MOD50-LA1F-31	MOD50-LF1F-31	
	AC 110V	5.2W	MOD50-LA1M-31	MOD50-LF1M-31	
	AC 220V		MOD50-LA1N-31	MOD50-LF1N-31	
4 Light	AC/DC 12V	2.2W	MOD50-LA1C-41	MOD50-LF1C-41	
	AC/DC 24V		MOD50-LA1F-41	MOD50-LF1F-41	
	AC 110V	6.1W	MOD50-LA1M-41	MOD50-LF1M-41	
	AC 220V		MOD50-LA1N-41	MOD50-LF1N-41	
5 Light	AC/DC 12V	2.7W	MOD50-LA1C-51	MOD50-LF1C-51	
	AC/DC 24V		MOD50-LA1F-51	MOD50-LF1F-51	
	AC 110V	7.0W	MOD50-LA1M-51	MOD50-LF1M-51	
	AC 220V		MOD50-LA1N-51	MOD50-LF1N-51	

### ■ Without pole

Style	Rated Voltage	Wattage	Model		Wire type
			Continuous Light	Continuous/Flashing Light With Warning Sound	
1 Light	AC/DC 12V	0.6W	MOD50-LA0C-11	MOD50-LF0C-11	Power source and Lead wire UL AWM1430 105° 300V VW-1 AWG20
	AC/DC 24V		MOD50-LA0F-11	MOD50-LF0F-11	
	AC 110V	3.4W	MOD50-LA0M-11	MOD50-LF0M-11	
	AC 220V		MOD50-LA0N-11	MOD50-LF0N-11	
2 Light	AC/DC 12V	1.2W	MOD50-LA0C-21	MOD50-LF0C-21	
	AC/DC 24V		MOD50-LA0F-21	MOD50-LF0F-21	
	AC 110V	4.3W	MOD50-LA0M-21	MOD50-LF0M-21	
	AC 220V		MOD50-LA0N-21	MOD50-LF0N-21	
3 Light	AC/DC 12V	1.7W	MOD50-LA0C-31	MOD50-LF0C-31	
	AC/DC 24V		MOD50-LA0F-31	MOD50-LF0F-31	
	AC 110V	5.2W	MOD50-LA0M-31	MOD50-LF0M-31	
	AC 220V		MOD50-LA0N-31	MOD50-LF0N-31	
4 Light	AC/DC 12V	2.2W	MOD50-LA0C-41	MOD50-LF0C-41	
	AC/DC 24V		MOD50-LA0F-41	MOD50-LF0F-41	
	AC 110V	6.1W	MOD50-LA0M-41	MOD50-LF0M-41	
	AC 220V		MOD50-LA0N-41	MOD50-LF0N-41	
5 Light	AC/DC 12V	2.7W	MOD50-LA0C-51	MOD50-LF0C-51	
	AC/DC 24V		MOD50-LA0F-51	MOD50-LF0F-51	
	AC 110V	7.0W	MOD50-LA0M-51	MOD50-LF0M-51	
	AC 220V		MOD50-LA0N-51	MOD50-LF0N-51	

## Semi-manufactured goods order guide

### Light Units Order



MOD50+AD24+BLUE    MOD50+AD24+WHITE    MOD50+AD24+GREEN

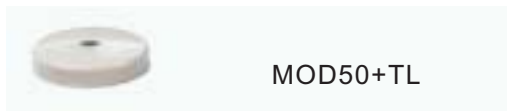
MOD50+AD24+ORANGE    MOD50+AD24+RED

**MOD50+AD12+GREEN**

<b>Series No.</b>	<b>Rate Voltage</b> AD12:AC/DC 12V AD24:AC/DC24V	<b>Light Colour</b> RED GREEN BLUE ORANGE WHITE
-------------------	--	--

Note: 1. AD12 Light units only for the 12V power supply.  
2. AD24 light units can be used in every voltage type, except 12V power supply.

### Top Cap Order

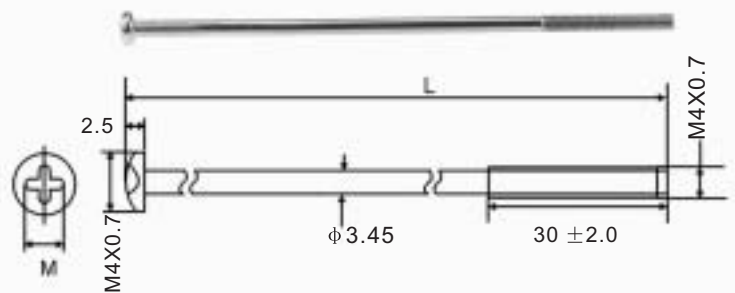


### Main Body Order




### Long Screw Order

Layer	Length(mm)	P/N
1	46	MOD50+S1
2	75	MOD50+S2
3	104	MOD50+S3
4	133	MOD50+S4
5	163	MOD50+S5



### Assemble Guide



**LED. Modules are interchangeable**

Changing the colour configuration does not require re-wiring.

Note: When the same colour of LED modules are on one light tower, they will light simultaneously.

The colour of the LED. Module will always correspond to the colour of the wire

**The wiring remains the same**

**Easy adding or removing**

Up to five different colours can be stacked. The LED modules are easy to add or remove even after installation.

Note: Purchase of an add-on kit is required to add another colour.

# SIGNAL TOWER

## MLD57

NPN/PNP  
IP20



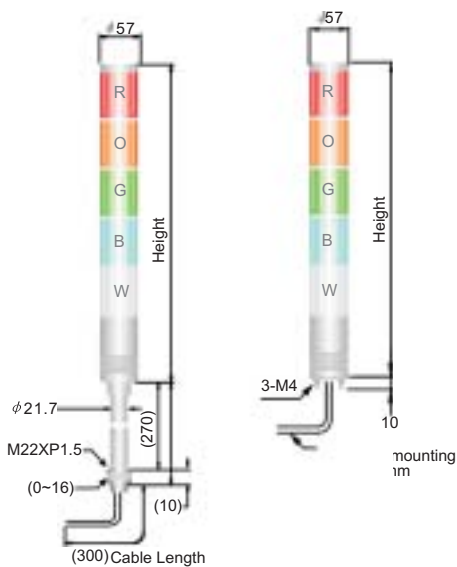
### Optional parts



### Optional parts



## Dimensions

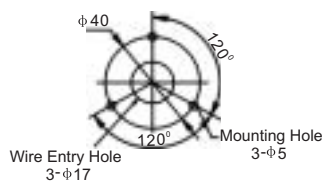


### Height (mm)

1Light : 160  
2Lights : 226  
3Lights : 292  
4Lights : 358  
5Lights : 424

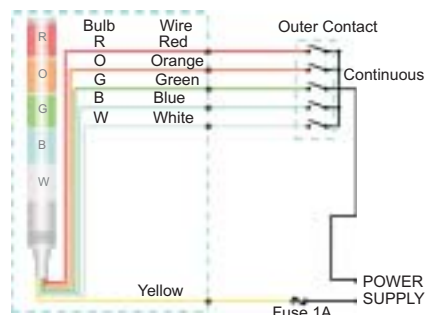
### Height (mm)

1Light : 160  
2Lights : 226  
3Lights : 292  
4Lights : 358  
5Lights : 424

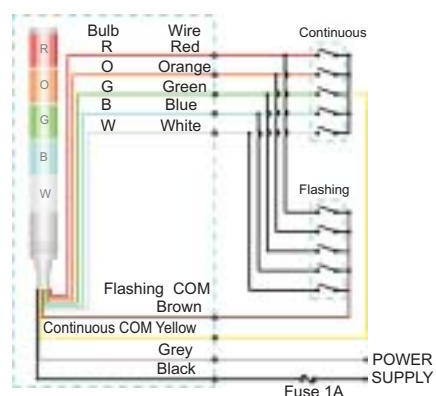


## Wiring Diagram In Direct Power Connection

### Continuous type



### Flashing type



### Wire colour

Bulb Unit Colour	Wire Colour
Red Unit	Red Wire
Orange Unit	Orange Wire
Green Unit	Green Wire
Blue Unit	Blue Wire
White Unit	White Wire

## Describing

- Colours: Red, Orange, Green, Blue, White (combination in photo is standard; for other combinations, please contact us)
- Lens: Polycarbonate resin with superior resistance to impact and heat.
- The unique vibration absorbing structure using new materials helps reduce vibration and impact from all machines and Devices, greatly extending bulb life.
- Long-life vibration-resistant bulbs are used.
- Colour combinations can be easily changed.
- Various types of information can displayed by using different colours controlled by several (1 to 5) external signals.
- Prism-cut lens disperses the light source, improving visibility.
- The CSA & CE marking is available. The CSA approval number is 219967-143081.
- Custom poles up to 1000mm long are available as an extra cost option.
- For operating the external contact or switch, use a toggle switch, relay switch, limit switch, etc. (No-contact or relay for Flashing model cannot be used due to the influence of leak current.)
- As the body of 12V models is grounded, when using 12V AC, always use an insulation transformer power source.
- This series has Continuous Light and Continuous/Flashing type according to operation methods.
- This series has normal, with pole, Paint, Paint and with pole type according to Distinguish code..
- For details information, please refer to selection guide.
- Vibration Resistance: 10~55HZ Frequency, 0.5mm amplitude in Y direction for 40 minutes.
- Shock resistance 500m/s<sup>2</sup> acceleration (approx. 50G) in Y direction for three times.

## Type

### ■ With pole

Style	Rated Voltage	Bulb	Model		Wire type
			Continuous Light	Continuous/Flashing Light	
1 Light	AC/DC 12V	12V 10W	MLD57-BA1C-11	MLD57-BC1C-11	Power source and Lead wire UL AWM1430 105° 300V VW-1 AWG20
	AC/DC 24V	30V 10W	MLD57-BA1F-11	MLD57-BC1F-11	
	AC 110V	110V 15W	MLD57-BA1M-11	MLD57-BC1M-11	
	AC 220V	220V 15W	MLD57-BA1N-11	MLD57-BC1N-11	
2 Light	AC/DC 12V	12V 10W	MLD57-BA1C-21	MLD57-BC1C-21	
	AC/DC 24V	30V 10W	MLD57-BA1F-21	MLD57-BC1F-21	
	AC 110V	110V 15W	MLD57-BA1M-21	MLD57-BC1M-21	
	AC 220V	220V 15W	MLD57-BA1N-21	MLD57-BC1N-21	
3 Light	AC/DC 12V	12V 10W	MLD57-BA1C-31	MLD57-BC1C-31	
	AC/DC 24V	30V 10W	MLD57-BA1F-31	MLD57-BC1F-31	
	AC 110V	110V 15W	MLD57-BA1M-31	MLD57-BC1M-31	
	AC 220V	220V 15W	MLD57-BA1N-31	MLD57-BC1N-31	
4 Light	AC/DC 12V	12V 10W(5W Flashing)	MLD57-BA1C-41	MLD57-BC1C-41	
	AC/DC 24V	30V 10W	MLD57-BA1F-41	MLD57-BC1F-41	
	AC 110V	110V 15W	MLD57-BA1M-41	MLD57-BC1M-41	
	AC 220V	220V 15W	MLD57-BA1N-41	MLD57-BC1N-41	
5 Light	AC/DC 12V	12V 10W(5W Flashing)	MLD57-BA1C-51	MLD57-BC1C-51	
	AC/DC 24V	30V 10W	MLD57-BA1F-51	MLD57-BC1F-51	
	AC 110V	110V 15W	MLD57-BA1M-51	MLD57-BC1M-51	
	AC 220V	220V 15W	MLD57-BA1N-51	MLD57-BC1N-51	

### ■ Without pole

Style	Rated Voltage	Bulb	Model		Wire type
			Continuous Light	Continuous/Flashing Light	
1 Light	AC/DC 12V	12V 10W	MLD57-BA0C-11	MLD57-BC0C-11	Power source and Lead wire UL AWM1430 105° 300V VW-1 AWG20
	AC/DC 24V	30V 10W	MLD57-BA0F-11	MLD57-BC0F-11	
	AC 110V	110V 15W	MLD57-BA0M-11	MLD57-BC0M-11	
	AC 220V	220V 15W	MLD57-BA0N-11	MLD57-BC0N-11	
2 Light	AC/DC 12V	12V 10W	MLD57-BA0C-21	MLD57-BC0C-21	
	AC/DC 24V	30V 10W	MLD57-BA0F-21	MLD57-BC0F-21	
	AC 110V	110V 15W	MLD57-BA0M-21	MLD57-BC0M-21	
	AC 220V	220V 15W	MLD57-BA0N-21	MLD57-BC0N-21	
3 Light	AC/DC 12V	12V 10W	MLD57-BA0C-31	MLD57-BC0C-31	
	AC/DC 24V	30V 10W	MLD57-BA0F-31	MLD57-BC0F-31	
	AC 110V	110V 15W	MLD57-BA0M-31	MLD57-BC0M-31	
	AC 220V	220V 15W	MLD57-BA0N-31	MLD57-BC0N-31	
4 Light	AC/DC 12V	12V 10W(5W Flashing)	MLD57-BA0C-41	MLD57-BC0C-41	
	AC/DC 24V	30V 10W	MLD57-BA0F-41	MLD57-BC0F-41	
	AC 110V	110V 15W	MLD57-BA0M-41	MLD57-BC0M-41	
	AC 220V	220V 15W	MLD57-BA0N-41	MLD57-BC0N-41	
5 Light	AC/DC 12V	12V 10W(5W Flashing)	MLD57-BA0C-51	MLD57-BC0C-51	
	AC/DC 24V	30V 10W	MLD57-BA0F-51	MLD57-BC0F-51	
	AC 110V	110V 15W	MLD57-BA0M-51	MLD57-BC0M-51	
	AC 220V	220V 15W	MLD57-BA0N-51	MLD57-BC0N-51	

# SIGNAL TOWER

## MOD57



NPN/PNP

IP20



### Optional parts



STZ-014

### Optional parts



STZ-013



STZ-016



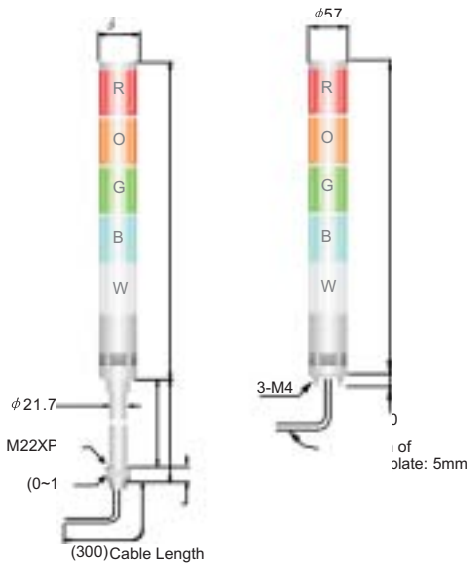
STZ-010



STZ-017



## Dimensions

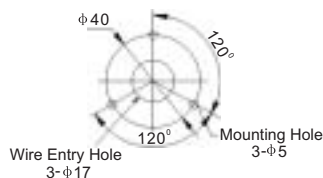


### Height (mm)

1Light	: 160
2Lights	: 226
3Lights	: 292
4Lights	: 358
5Lights	: 424

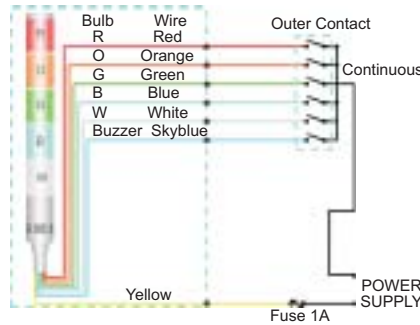
### Height (mm)

1Light	: 160
2Lights	: 226
3Lights	: 292
4Lights	: 358
5Lights	: 424

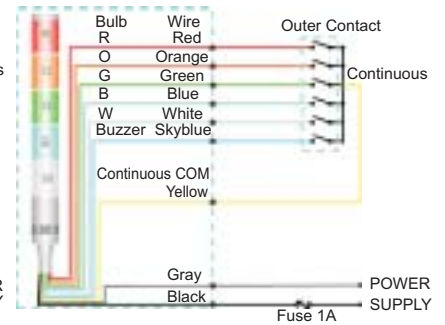


## Wiring Diagram In Direct Power Connection

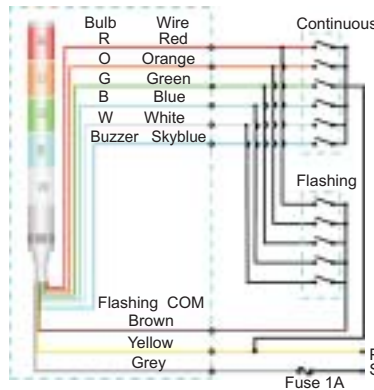
### Continuous type AC/DC 24V type



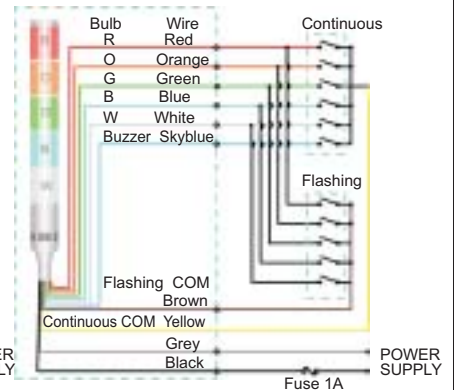
### AC 110V/220V type



### Flashing type AC/DC 24V type



### AC 110V/220V type



### Wire colour

Bulb Unit Colour	Wire Colour
Red Unit	Red Wire
Orange Unit	Orange Wire
Green Unit	Green Wire
Blue Unit	Blue Wire
White Unit	White Wire
NO	Wire Colour
Buzzer	Skyblue Wire

## Describing

- Colours: Red, Orange, Green, Blue, White (combination in photo is standard; for other combinations, other Combinations, please contact us).
  - Lens: Polycarbonate resin with superior resistance to impact and heat.
  - The unique vibration absorbing structure using new materials helps reduce vibration and impact from all machines and Devices, greatly extending bulb life.
  - Long-life vibration-resistant bulbs are used.
  - Colour combinations can be easily changed.
  - Prism-cut lens disperses the light source, improving visibility.
- Various types of information can be displayed by using different colours controlled by several (1 to 5) external signals.
- Buzzer sound, lighting, and flickering can all be controlled independently.
  - High power sound volume; Max 75 dB/m
  - The CSA & CE marking is available. The CSA approval number is 219967-143081.
  - This series has Continuous Light with warning sound and Continuous/ Flashing Light with warning sound type according to Distinguish code.
  - This series has normal, with pole type according to operation methods.
  - For details information, please refer to selection guide.
  - Vibration Resistance: 10~55HZ Frequency, 0.5mm amplitude in Y direction for 40 minutes.
  - Shock resistance 500m/s<sup>2</sup> acceleration(approx.50G)in Y direction for three times.

## Type

### With pole

Style	Rated Voltage	Bulb	Model		Wire type
			Continuous Light With Warning Sound	Continuous/Flashing Light With Warning Sound	
1 Light	AC/DC 24V	30V 10W	MOD57-BD1F-11	MOD57-BF1F-11	Power source and Lead wire UL AWM1430 105° 300V VW-1 AWG20
	AC 110V	110V 15W	MOD57-BD1M-11	MOD57-BF1M-11	
	AC 220V	220V 15W	MOD57-BD1N-11	MOD57-BF1N-11	
2 Light	AC/DC 24V	30V 10W	MOD57-BD1F-21	MOD57-BF1F-21	
	AC 110V	110V 15W	MOD57-BD1M-21	MOD57-BF1M-21	
	AC 220V	220V 15W	MOD57-BD1N-21	MOD57-BF1N-21	
3 Light	AC/DC 24V	30V 10W	MOD57-BD1F-31	MOD57-BF1F-31	
	AC 110V	110V 15W	MOD57-BD1M-31	MOD57-BF1M-31	
	AC 220V	220V 15W	MOD57-BD1N-31	MOD57-BF1N-31	
4 Light	AC/DC 24V	30V 10W	MOD57-BD1F-41	MOD57-BF1F-41	
	AC 110V	110V 15W	MOD57-BD1M-41	MOD57-BF1M-41	
	AC 220V	220V 15W	MOD57-BD1N-41	MOD57-BF1N-41	
5 Light	AC/DC 24V	30V 10W	MOD57-BD1F5-1	MOD57-BF1F5-1	
	AC 110V	110V 15W	MOD57-BD1M5-1	MOD57-BF1M5-1	
	AC 220V	220V 15W	MOD57-BD1N5-1	MOD57-BF1N5-1	

### Without pole

Style	Rated Voltage	Bulb	Model		Wire type
			Continuous Light With Warning Sound	Continuous/Flashing Light With Warning Sound	
1 Light	AC/DC 24V	30V 10W	MOD57-BD0F-11	MOD57-BF0F-11	Power source and Lead wire UL AWM1430 105° 300V VW-1 AWG20
	AC 110V	110V 15W	MOD57-BD0M-11	MOD57-BF0M-11	
	AC 220V	220V 15W	MOD57-BD0N-11	MOD57-BF0N-11	
2 Light	AC/DC 24V	30V 10W	MOD57-BD0F-21	MOD57-BF0F-21	
	AC 110V	110V 15W	MOD57-BD0M-21	MOD57-BF0M-21	
	AC 220V	220V 15W	MOD57-BD0N-21	MOD57-BF0N-21	
3 Light	AC/DC 24V	30V 10W	MOD57-BD0F-31	MOD57-BF0F-31	
	AC 110V	110V 15W	MOD57-BD0M-31	MOD57-BF0M-31	
	AC 220V	220V 15W	MOD57-BD0N-31	MOD57-BF0N-31	
4 Light	AC/DC 24V	30V 10W	MOD57-BD0F-41	MOD57-BF0F-41	
	AC 110V	110V 15W	MOD57-BD0M-41	MOD57-BF0M-41	
	AC 220V	220V 15W	MOD57-BD0N-41	MOD57-BF0N-41	
5 Light	AC/DC 24V	30V 10W	MOD57-BD0F5-1	MOD57-BF0F5-1	
	AC 110V	110V 15W	MOD57-BD0M5-1	MOD57-BF0M5-1	
	AC 220V	220V 15W	MOD57-BD0N5-1	MOD57-BF0N5-1	

# SIGNAL TOWER

## MOD57



NPN/PNP  
IP54



### Optional parts



STZ-014

### Optional parts



STZ-013



STZ-016



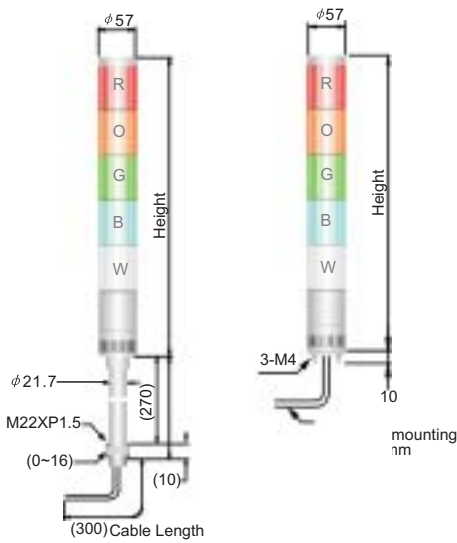
STZ-010



STZ-017



## Dimensions

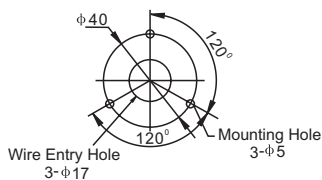


### Height (mm)

1Light	: 257
2Lights	: 324
3Lights	: 391
4Lights	: 458
5Lights	: 525

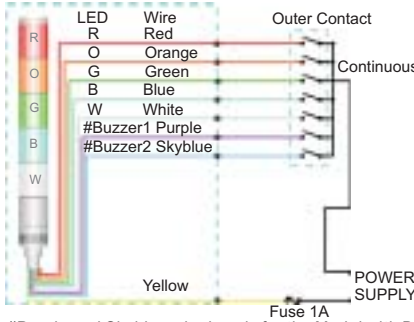
### Height (mm)

1Light	: 249
2Lights	: 316
3Lights	: 383
4Lights	: 450
5Lights	: 517

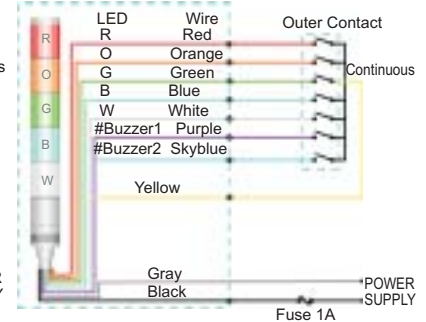


## Wiring Diagram In Direct Power Connection

### Continuous type AC/DC 12V/24V type

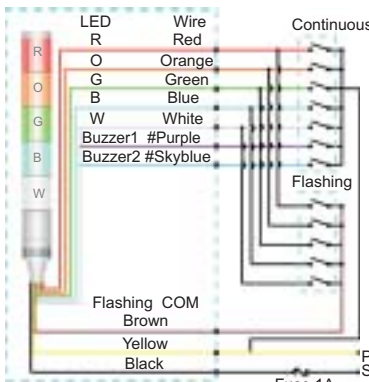


### AC 110V/220V type

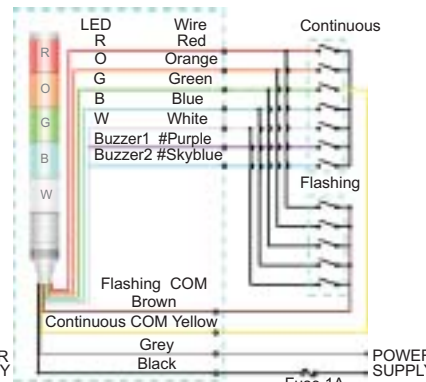


#Purple and Skyblue wire is only for the Model with Buzzer

### Flashing type AC/DC 12V/24V type



### AC 110V/220V type



#Brown wire is only for the type of Flashing/continuous.

#Brown wire is only for the type of Flashing/Continuous.

#Purple and Skyblue wire is only for the Model with Buzzer.

#Purple and Skyblue wire is only for the Model with Buzzer.

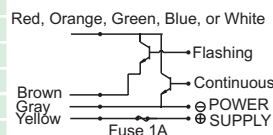
### Wire colour

LED Unit Colour	Wire Colour
Red Unit	Red Wire
Orange Unit	Orange Wire
Green Unit	Green Wire
Blue Unit	Blue Wire
White Unit	White Wire
Buzzer1	Purple Wire
Buzzer2	Skyblue Wire

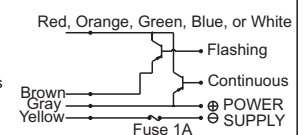
### Open collector (24V)

#### DC Type

#### NPN Transistor



#### PNP transistor



#Five wires (Red, Orange, Green, Blue, White) are connected regardless of the number of LED Unit.

## Describing

- Colours: Red, Orange, Super-high-intensity Green, Super-high-intensity Blue, Super-high-intensity White (Combination in photo is standard, for other combinations, please contact us.)
- Lens: Acrylic resin with superior weather resistance and light translucence.
- Our newly developed LED reflection system, improved luminosity and ends the problem of burned out bulbs.
- Thanks to the newly designed structure with independent colour unit, colour combinations can be easily changed.
- The buzzer has 2 different gentle sounds high volume;70-80 dB/m.
- Prism-cut lens disperses the light source, improving visibility.
- This model contains open-collector type NPN, PNP transistor which allows direct connection to Programmable controller.(100/220V type NPN only)
- The CSA & CE marking is available. The CSA approval number is 219967-143081.
- This series has Continuous , Continuous/Flashing, Continuous with warning sound and Continuous/Flashing with warning sound type according to operation methods.
- This series has normal, with pole type according to Distinguish code..
- For details information, please refer to selection guide.
- Vibration Resistance:10~55HZ Frequency, 0.5mm amplitude in Y direction for 40 minutes.
- Shock resistance 500m/s<sup>2</sup> acceleration(approx.50G)in Y direction for three times.

## Type

### ■ With pole

Style	Rated Voltage	Wattage	Model				Wire type
			Continuous Light	Continuous/Flashing Light	Continuous Light With Warning Sound	Continuous/Flashing Light With Warning Sound	
1 Light	AC/DC 12V	1.5W	MOD57-LA1C-11	MOD57-LC1C-11	MOD57-LD1C-11	MOD57-LF1C-11	Power source and Lead wire UL AWM1430 105° 300V VW-1 AWG20
	AC/DC 24V		MOD57-LA1F-11	MOD57-LC1F-11	MOD57-LD1F-11	MOD57-LF1F-11	
	AC 110V	3.0W	MOD57-LA1M-11	MOD57-LC1M-11	MOD57-LD1M-11	MOD57-LF1M-11	
	AC 220V	3.5W	MOD57-LA1N-11	MOD57-LC1N-11	MOD57-LD1N-11	MOD57-LF1N-11	
2 Light	AC/DC 12V	2.5W	MOD57-LA1C-21	MOD57-LC1C-21	MOD57-LD1C-21	MOD57-LF1C-21	
	AC/DC 24V		MOD57-LA1F-21	MOD57-LC1F-21	MOD57-LD1F-21	MOD57-LF1F-21	
	AC 110V	5.0W	MOD57-LA1M-21	MOD57-LC1M-21	MOD57-LD1M-21	MOD57-LF1M-21	
	AC 220V	5.5W	MOD57-LA1N-21	MOD57-LC1N-21	MOD57-LD1N-21	MOD57-LF1N-21	
3 Light	AC/DC 12V	3.5W	MOD57-LA1C-31	MOD57-LC1C-31	MOD57-LD1C-31	MOD57-LF1C-31	
	AC/DC 24V		MOD57-LA1F-31	MOD57-LC1F-31	MOD57-LD1F-31	MOD57-LF1F-31	
	AC 110V	6.5W	MOD57-LA1M-31	MOD57-LC1M-31	MOD57-LD1M-31	MOD57-LF1M-31	
	AC 220V	7.0W	MOD57-LA1N-31	MOD57-LC1N-31	MOD57-LD1N-31	MOD57-LF1N-31	
4 Light	AC/DC 12V	4.5W	MOD57-LA1C-41	MOD57-LC1C-41	MOD57-LD1C-41	MOD57-LF1C-41	
	AC/DC 24V		MOD57-LA1F-41	MOD57-LC1F-41	MOD57-LD1F-41	MOD57-LF1F-41	
	AC 110V	7.5W	MOD57-LA1M-41	MOD57-LC1M-41	MOD57-LD1M-41	MOD57-LF1M-41	
	AC 220V	8.5W	MOD57-LA1N-41	MOD57-LC1N-41	MOD57-LD1N-41	MOD57-LF1N-41	
5 Light	AC/DC 12V	5.5W	MOD57-LA1C-51	MOD57-LC1C-51	MOD57-LD1C-51	MOD57-LF1C-51	
	AC/DC 24V		MOD57-LA1F-51	MOD57-LC1F-51	MOD57-LD1F-51	MOD57-LF1F-51	
	AC 110V	8.5W	MOD57-LA1M-51	MOD57-LC1M-51	MOD57-LD1M-51	MOD57-LF1M-51	
	AC 220V	10.0W	MOD57-LA1N-51	MOD57-LC1N-51	MOD57-LD1N-51	MOD57-LF1N-51	

### ■ Without pole

Style	Rated Voltage	Wattage	Model				Wire type
			Continuous Light	Continuous/Flashing Light	Continuous Light With Warning Sound	Continuous/Flashing Light With Warning Sound	
1 Light	AC/DC 12V	1.5W	MOD57-LA0C-11	MOD57-LC0C-11	MOD57-LD0C-11	MOD57-LF0C-11	Power source and Lead wire UL AWM1430 105° 300V VW-1 AWG20
	AC/DC 24V		MOD57-LA0F-11	MOD57-LC0F-11	MOD57-LD0F-11	MOD57-LF0F-11	
	AC 110V	3.0W	MOD57-LA0M-11	MOD57-LC0M-11	MOD57-LD0M-11	MOD57-LF0M-11	
	AC 220V	3.5W	MOD57-LA0N-11	MOD57-LC0N-11	MOD57-LD0N-11	MOD57-LF0N-11	
2 Light	AC/DC 12V	2.5W	MOD57-LA0C-21	MOD57-LC0C-21	MOD57-LD0C-21	MOD57-LF0C-21	
	AC/DC 24V		MOD57-LA0F-21	MOD57-LC0F-21	MOD57-LD0F-21	MOD57-LF0F-21	
	AC 110V	5.0W	MOD57-LA0M-21	MOD57-LC0M-21	MOD57-LD0M-21	MOD57-LF0M-21	
	AC 220V	5.5W	MOD57-LA0N-21	MOD57-LC0N-21	MOD57-LD0N-21	MOD57-LF0N-21	
3 Light	AC/DC 12V	3.5W	MOD57-LA0C-31	MOD57-LC0C-31	MOD57-LD0C-31	MOD57-LF0C-31	
	AC/DC 24V		MOD57-LA0F-31	MOD57-LC0F-31	MOD57-LD0F-31	MOD57-LF0F-31	
	AC 110V	6.5W	MOD57-LA0M-31	MOD57-LC0M-31	MOD57-LD0M-31	MOD57-LF0M-31	
	AC 220V	7.0W	MOD57-LA0N-31	MOD57-LC0N-31	MOD57-LD0N-31	MOD57-LF0N-31	
4 Light	AC/DC 12V	4.5W	MOD57-LA0C-41	MOD57-LC0C-41	MOD57-LD0C-41	MOD57-LF0C-41	
	AC/DC 24V		MOD57-LA0F-41	MOD57-LC0F-41	MOD57-LD0F-41	MOD57-LF0F-41	
	AC 110V	7.5W	MOD57-LA0M-41	MOD57-LC0M-41	MOD57-LD0M-41	MOD57-LF0M-41	
	AC 220V	8.5W	MOD57-LA0N-41	MOD57-LC0N-41	MOD57-LD0N-41	MOD57-LF0N-41	
5 Light	AC/DC 12V	5.5W	MOD57-LA0C-51	MOD57-LC0C-51	MOD57-LD0C-51	MOD57-LF0C-51	
	AC/DC 24V		MOD57-LA0F-51	MOD57-LC0F-51	MOD57-LD0F-51	MOD57-LF0F-51	
	AC 110V	8.5W	MOD57-LA0M-51	MOD57-LC0M-51	MOD57-LD0M-51	MOD57-LF0M-51	
	AC 220V	10.0W	MOD57-LA0N-51	MOD57-LC0N-51	MOD57-LD0N-51	MOD57-LF0N-51	

# SIGNAL TOWER

## Semi-manufactured goods order guide

### Light Units Order



MOD57+AD24+BLUE    MOD57+AD24+WHITE    MOD57+AD24+GREEN

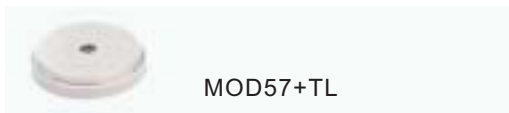
MOD57+AD24+ORANGE    MOD57+AD24+RED

**MOD57+AD12+GREEN**

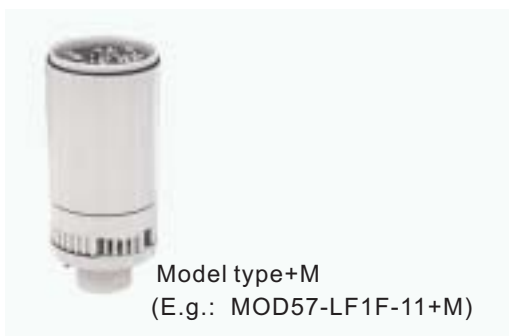
<b>Series No.</b>	<b>Rate Voltage</b> AD12:AC/DC 12V AD24:AC/DC24V	<b>Light Colour</b> RED GREEN BLUE ORANGE WHITE
-------------------	--	--

Note: 1. AD12 Light units only for the 12V power supply.  
2. AD24 light units can be used in every voltage type, except 12V power supply.

### Top Cap Order

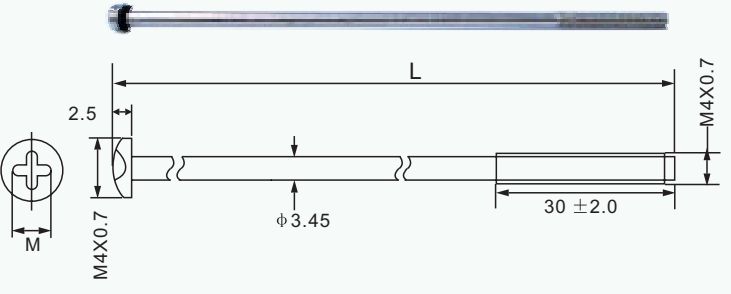


### Main Body Order




### Long Screw Order

Layer	Length(mm)	P/N
1	90	MOD57+S1
2	156	MOD57+S2
3	222	MOD57+S3
4	288	MOD57+S4
5	354	MOD57+S5



### Assemble Guide



**LED. Modules are interchangeable**

Changing the colour configuration does not require re-wiring.

Note: When the same colour of LED modules are on one light tower, they will light simultaneously.

**The wiring remains the same**

The colour of the LED. Module will always correspond to the colour of the wire

**Easy adding or removing**

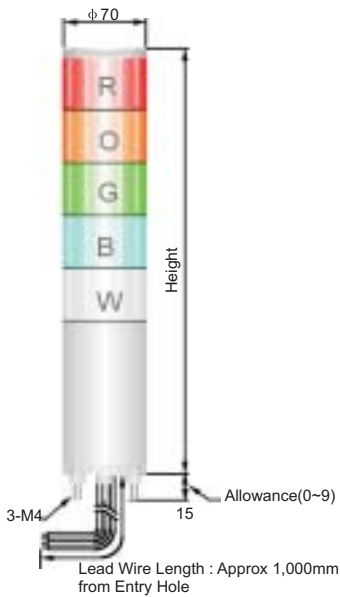
Up to five different colours can be stacked. The LED modules are easy to add or remove even after installation.

Note: Purchase of an add-on kit is required to add another colour.

## MOD70

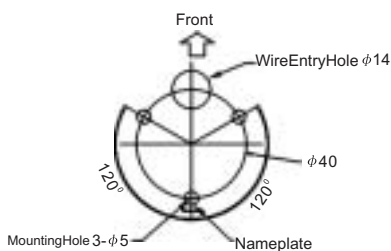


### Dimensions

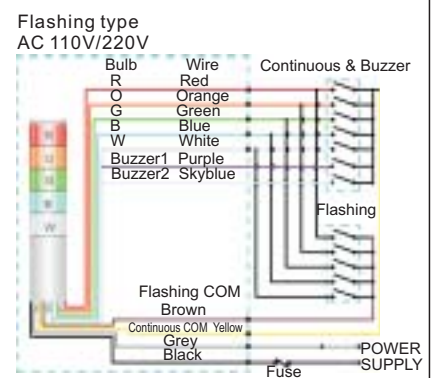
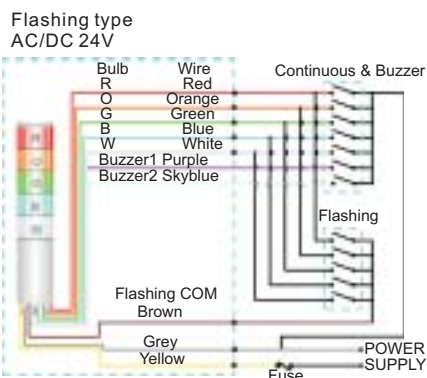
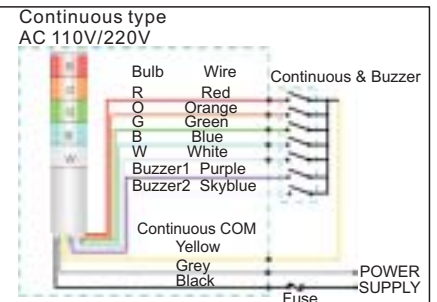
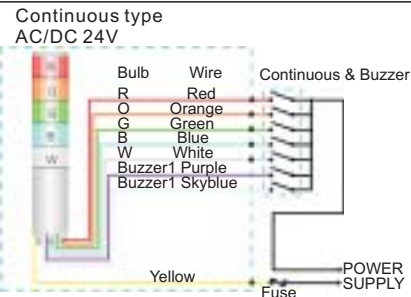


#### Height (mm)

- 1Light : 221
- 2Lights : 252
- 3Lights : 294
- 4Lights : 335
- 5Lights : 376



### Wiring Diagram In Direct Power Connection



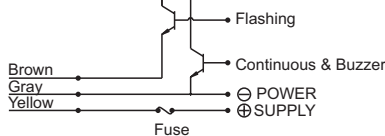
#### Wire colour

Bulb Unit Colour	Wire Colour
Red Unit	Red Wire
Orange Unit	Orange Wire
Green Unit	Green Wire
Blue Unit	Blue Wire
White Unit	White Wire

#### Open collector (24V)

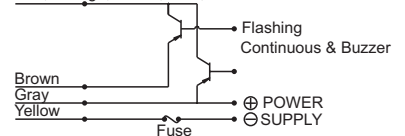
NPN transistor

Red, Orange, Green, Blue, White



PNP transistor

Red, Orange, Green, Blue, White



# SIGNAL TOWER

## Describing

- Colours: Red, Orange, Green, Blue, Clear( combination in photo is standard; for other combinations, please contact us)
- Lens: Polycarbonate resin with superior resistance to impact and heat.
- Unique vibration absorbing structure and newly developed vibration resistant bulb help to reduce vibration and impact from all machineries and greatly extend bulb life.
- Bayonet base bulb not to be loosen by vibration.
- Newly developed prism cut lens offers the brightest light available and improved the visibility from all directions.
- Meets IP-54 for wash-down requirements.
- The buzzer has 2 different gentle sounds high volume; 80dB/m
- Snap-in connectors make the unit easily detachable.
- This model contains open-collector type NPN, PNP transistor which allows direct connection to Programmable Controller. (24V type only)
- The CSA & CE marking is available. The CSA approval number is 219967-143081.
- This series has Continuous, Continuous/Flashing, Continuous with warning sound and Continuous/Flashing with warning sound type according to operation methods.
- This series has normal, with pole type according to Distinguish code.
- For details information, please refer to selection guide.
- Vibration Resistance: 10~55HZ Frequency, 0.5mm amplitude in Y direction for 40 minutes.
- Shock resistance 500m/s<sup>2</sup> acceleration(approx.50G)in Y direction for three times.

## Type

### ■ With pole

Style	Rated Voltage	Bulb	Model				Wire type
			Continuous Light	Continuous / Flashing Light	Continuous Light With Warning Sound	Continuous/Flashing Light With Warning Sound	
1 Light	AC/DC 24V	28V 11W	MOD70-BA1F-11	MOD70-BC1F-11	MOD70-BD1F-11	MOD70-BF1F-11	Power source and Lead wire UL AWM1430 105° 300V VW-1 AWG20
	AC 110V	110V 12W	MOD70-BA1M-11	MOD70-BC1M-11	MOD70-BD1M-11	MOD70-BF1M-11	
	AC 220V	250V 11W	MOD70-BA1N-11	MOD70-BC1N-11	MOD70-BD1N-11	MOD70-BF1N-11	
2 Light	AC/DC 24V	28V 11W	MOD70-BA1F-21	MOD70-BC1F-21	MOD70-BD1F-21	MOD70-BF1F-21	
	AC 110V	110V 12W	MOD70-BA1M-21	MOD70-BC1M-21	MOD70-BD1M-21	MOD70-BF1M-21	
	AC 220V	250V 11W	MOD70-BA1N-21	MOD70-BC1N-21	MOD70-BD1N-21	MOD70-BF1N-21	
3 Light	AC/DC 24V	28V 11W	MOD70-BA1F-31	MOD70-BC1F-31	MOD70-BD1F-31	MOD70-BF1F-31	
	AC 110V	110V 12W	MOD70-BA1M-31	MOD70-BC1M-31	MOD70-BD1M-31	MOD70-BF1M-31	
	AC 220V	250V 11W	MOD70-BA1N-31	MOD70-BC1N-31	MOD70-BD1N-31	MOD70-BF1N-31	
4 Light	AC/DC 24V	28V 11W	MOD70-BA1F-41	MOD70-BC1F-41	MOD70-BD1F-41	MOD70-BF1F-41	
	AC 110V	110V 12W	MOD70-BA1M-41	MOD70-BC1M-41	MOD70-BD1M-41	MOD70-BF1M-41	
	AC 220V	250V 11W	MOD70-BA1N-41	MOD70-BC1N-41	MOD70-BD1N-41	MOD70-BF1N-41	
5 Light	AC/DC 24V	28V 11W	MOD70-BA1F-51	MOD70-BC1F-51	MOD70-BD1F-51	MOD70-BF1F-51	
	AC 110V	110V 12W	MOD70-BA1M-51	MOD70-BC1M-51	MOD70-BD1M-51	MOD70-BF1M-51	
	AC 220V	220V 15W	MOD70-BA1N-51	MOD70-BC1N-51	MOD70-BD1N-51	MOD70-BF1N-51	

### ■ Without pole

Style	Rated Voltage	Bulb	Model				Wire type
			Continuous Light	Continuous / Flashing Light	Continuous Light With Warning Sound	Continuous/Flashing Light With Warning Sound	
1 Light	AC/DC 24V	28V 11W	MOD70-BA0F-11	MOD70-BC0F-11	MOD70-BD0F-11	MOD70-BF0F-11	Power source and Lead wire UL AWM1430 105° 300V VW-1 AWG20
	AC 110V	110V 12W	MOD70-BA0M-11	MOD70-BC0M-11	MOD70-BD0M-11	MOD70-BF0M-11	
	AC 220V	250V 11W	MOD70-BA0N-11	MOD70-BC0N-11	MOD70-BD0N-11	MOD70-BF0N-11	
2 Light	AC/DC 24V	28V 11W	MOD70-BA0F-21	MOD70-BC0F-21	MOD70-BD0F-21	MOD70-BF0F-21	
	AC 110V	110V 12W	MOD70-BA0M-21	MOD70-BC0M-21	MOD70-BD0M-21	MOD70-BF0M-21	
	AC 220V	250V 11W	MOD70-BA0N-21	MOD70-BC0N-21	MOD70-BD0N-21	MOD70-BF0N-21	
3 Light	AC/DC 24V	28V 11W	MOD70-BA0F-31	MOD70-BC0F-31	MOD70-BD0F-31	MOD70-BF0F-31	
	AC 110V	110V 12W	MOD70-BA0M-31	MOD70-BC0M-31	MOD70-BD0M-31	MOD70-BF0M-31	
	AC 220V	250V 11W	MOD70-BA0N-31	MOD70-BC0N-31	MOD70-BD0N-31	MOD70-BF0N-31	
4 Light	AC/DC 24V	28V 11W	MOD70-BA0F-41	MOD70-BC0F-41	MOD70-BD0F-41	MOD70-BF0F-41	
	AC 110V	110V 12W	MOD70-BA0M-41	MOD70-BC0M-41	MOD70-BD0M-41	MOD70-BF0M-41	
	AC 220V	250V 11W	MOD70-BA0N-41	MOD70-BC0N-41	MOD70-BD0N-41	MOD70-BF0N-41	
5 Light	AC/DC 24V	28V 11W	MOD70-BA0F-51	MOD70-BC0F-51	MOD70-BD0F-51	MOD70-BF0F-51	
	AC 110V	110V 12W	MOD70-BA0M-51	MOD70-BC0M-51	MOD70-BD0M-51	MOD70-BF0M-51	
	AC 220V	220V 15W	MOD70-BA0N-51	MOD70-BC0N-51	MOD70-BD0N-51	MOD70-BF0N-51	

## MOD70



NPN/PNP  
IP65



### Optional parts



STZ-50L

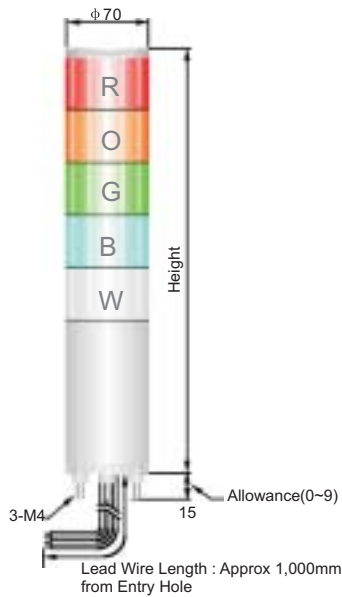


STZ-50T



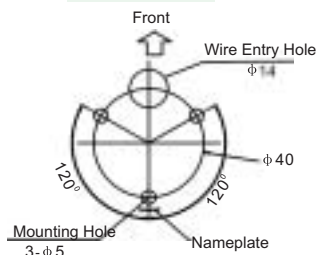
STZ-017

### Dimensions



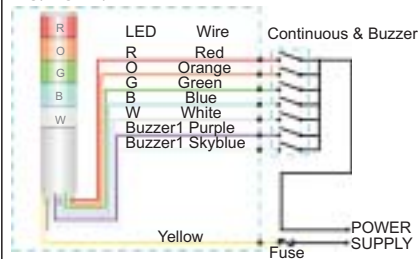
#### Height (mm)

- 1Light : 221
- 2Lights : 252
- 3Lights : 294
- 4Lights : 335
- 5Lights : 376

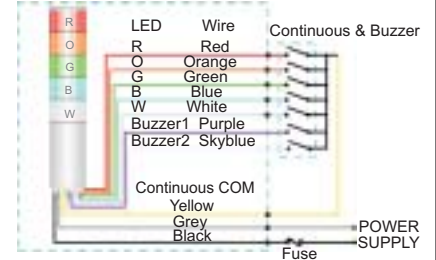


### Wiring Diagram in Direct Power Connection

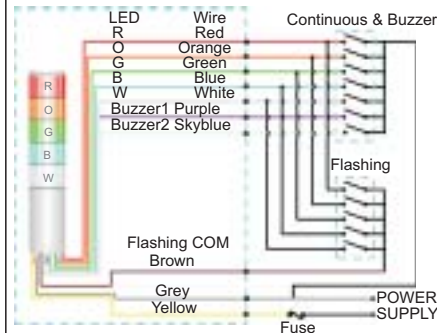
#### Continuous type AC/DC 12/24V



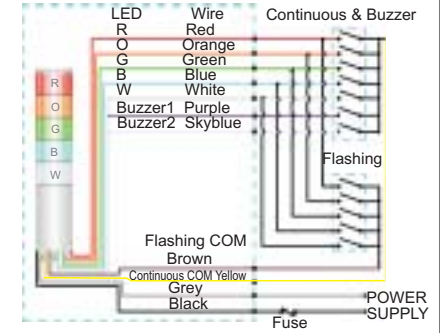
#### Continuous type AC 110/220V



#### Flashing type AC/DC 12/24V



#### Flashing type AC 110/220V



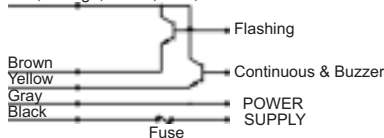
#### Wire colour

LED Unit Colour	Wire Colour
Red Unit	Red Wire
Orange Unit	Orange Wire
Green Unit	Green Wire
Blue Unit	Blue Wire
White Unit	White Wire

#### AC100/220V

##### NPN transistor

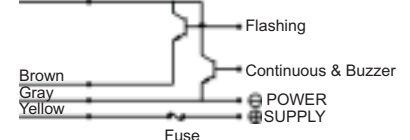
Red, Orange, Green, Blue, White



#### Open collector (24V)

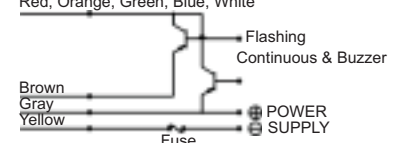
##### NPN transistor

Red, Orange, Green, Blue, White



##### PNP transistor

Red, Orange, Green, Blue, White



# SIGNAL TOWER

## Describing

- Colours: Super-high-intensity Red, Super-high-intensity Orange, Super-high-intensity Green, Super-high-intensity Blue, Super-high-intensity White(combination in photo is standard, for other Combinations, please contact us.
- Lens: Acrylic resin with superior weather resistance and light translucence.
- Thanks to the use of LEDs, there is no need to replace burned out bulbs.
- Our newly developed LED reflection system, improved luminosity and ends the problem of burned out bulbs.
- Because of the unified structure, the colour combinations can be easily changed.
- Meets IP-65 for wash-down requirements.
- The buzzer has 2 different gentle sounds high volume; 70~90dB/m.
- This model contains open-collector type NPN, PNP transistor which allows direct connection to Programmable Controller.(100V/220V type NPN only)
- The CSA & CE marking is available. The CSA approval number is 219967-143081.
- This series has Continuous, Continuous/Flashing, Continuous with warning sound and Continuous/Flashing type according to operation methods.
- This series has normal, with pole type according to Distinguish code.
- For details information, please refer to selection guide.
- Vibration Resistance: 10~55HZ Frequency,0.5mm amplitude in Y direction for 40 minutes.
- Shock resistance 500m/s<sup>2</sup> acceleration(approx.50G)in Y direction for three times.

## Type

### With pole

Style	Rated Voltage	Wattage	Model				Wire type
			Continuous Light	Continuous/Flashing Light	Continuous Light With Warning Sound	Continuous/Flashing Light With Warning Sound	
1 Light	AC/DC 12V	1.2W	MOD70-LA1C-11	MOD70-LC1C-11	MOD70-LD1C-11	MOD70-LF1C-11	Power source and Lead wire UL AWM1430 105° 300V VW-1 AWG20
	AC/DC 24V		MOD70-LA1F-11	MOD70-LC1F-11	MOD70-LD1F-11	MOD70-LF1F-11	
	AC 110V	3.5W	MOD70-LA1M-11	MOD70-LC1M-11	MOD70-LD1M-11	MOD70-LF1M-11	
	AC 220V		MOD70-LA1N-11	MOD70-LC1N-11	MOD70-LD1N-11	MOD70-LF1N-11	
2 Light	AC/DC 12V	2.4W	MOD70-LA1C-21	MOD70-LC1C-21	MOD70-LD1C-21	MOD70-LF1C-21	
	AC/DC 24V		MOD70-LA1F-21	MOD70-LC1F-21	MOD70-LD1F-21	MOD70-LF1F-21	
	AC 110V	5.2W	MOD70-LA1M-21	MOD70-LC1M-21	MOD70-LD1M-21	MOD70-LF1M-21	
	AC 220V		MOD70-LA1N-21	MOD70-LC1N-21	MOD70-LD1N-21	MOD70-LF1N-21	
3 Light	AC/DC 12V	3.6W	MOD70-LA1C-31	MOD70-LC1C-31	MOD70-LD1C-31	MOD70-LF1C-31	
	AC/DC 24V		MOD70-LA1F-31	MOD70-LC1F-31	MOD70-LD1F-31	MOD70-LF1F-31	
	AC 110V	7.2W	MOD70-LA1M-31	MOD70-LC1M-31	MOD70-LD1M-31	MOD70-LF1M-31	
	AC 220V		MOD70-LA1N-31	MOD70-LC1N-31	MOD70-LD1N-31	MOD70-LF1N-31	
4 Light	AC/DC 12V	4.8W	MOD70-LA1C-41	MOD70-LC1C-41	MOD70-LD1C-41	MOD70-LF1C-41	
	AC/DC 24V		MOD70-LA1F-41	MOD70-LC1F-41	MOD70-LD1F-41	MOD70-LF1F-41	
	AC 110V	8.7W	MOD70-LA1M-41	MOD70-LC1M-41	MOD70-LD1M-41	MOD70-LF1M-41	
	AC 220V		MOD70-LA1N-41	MOD70-LC1N-41	MOD70-LD1N-41	MOD70-LF1N-41	
5 Light	AC/DC 12V	6.0W	MOD70-LA1C-51	MOD70-LC1C-51	MOD70-LD1C-51	MOD70-LF1C-51	
	AC/DC 24V		MOD70-LA1F-51	MOD70-LC1F-51	MOD70-LD1F-51	MOD70-LF1F-51	
	AC 110V	10.5W	MOD70-LA1M-51	MOD70-LC1M-51	MOD70-LD1M-51	MOD70-LF1M-51	
	AC 220V		MOD70-LA1N-51	MOD70-LC1N-51	MOD70-LD1N-51	MOD70-LF1N-51	

### Without pole

Style	Rated Voltage	Wattage	Model				Wire type
			Continuous Light	Continuous/Flashing Light	Continuous Light With Warning Sound	Continuous/Flashing Light With Warning Sound	
1 Light	AC/DC 12V	1.2W	MOD70-LA0C-11	MOD70-LC0C-11	MOD70-LD0C-11	MOD70-LF0C-11	Power source and Lead wire UL AWM1430 105° 300V VW-1 AWG20
	AC/DC 24V		MOD70-LA0F-11	MOD70-LC0F-11	MOD70-LD0F-11	MOD70-LF0F-11	
	AC 110V	3.5W	MOD70-LA0M-11	MOD70-LC0M-11	MOD70-LD0M-11	MOD70-LF0M-11	
	AC 220V		MOD70-LA0N-11	MOD70-LC0N-11	MOD70-LD0N-11	MOD70-LF0N-11	
2 Light	AC/DC 12V	2.4W	MOD70-LA0C-21	MOD70-LC0C-21	MOD70-LD0C-21	MOD70-LF0C-21	
	AC/DC 24V		MOD70-LA0F-21	MOD70-LC0F-21	MOD70-LD0F-21	MOD70-LF0F-21	
	AC 110V	5.2W	MOD70-LA0M-21	MOD70-LC0M-21	MOD70-LD0M-21	MOD70-LF0M-21	
	AC 220V		MOD70-LA0N-21	MOD70-LC0N-21	MOD70-LD0N-21	MOD70-LF0N-21	
3 Light	AC/DC 12V	3.6W	MOD70-LA0C-31	MOD70-LC0C-31	MOD70-LD0C-31	MOD70-LF0C-31	
	AC/DC 24V		MOD70-LA0F-31	MOD70-LC0F-31	MOD70-LD0F-31	MOD70-LF0F-31	
	AC 110V	7.2W	MOD70-LA0M-31	MOD70-LC0M-31	MOD70-LD0M-31	MOD70-LF0M-31	
	AC 220V		MOD70-LA0N-31	MOD70-LC0N-31	MOD70-LD0N-31	MOD70-LF0N-31	
4 Light	AC/DC 12V	4.8W	MOD70-LA0C-41	MOD70-LC0C-41	MOD70-LD0C-41	MOD70-LF0C-41	
	AC/DC 24V		MOD70-LA0F-41	MOD70-LC0F-41	MOD70-LD0F-41	MOD70-LF0F-41	
	AC 110V	8.7W	MOD70-LA0M-41	MOD70-LC0M-41	MOD70-LD0M-41	MOD70-LF0M-41	
	AC 220V		MOD70-LA0N-41	MOD70-LC0N-41	MOD70-LD0N-41	MOD70-LF0N-41	
5 Light	AC/DC 12V	6.0W	MOD70-LA0C-51	MOD70-LC0C-51	MOD70-LD0C-51	MOD70-LF0C-51	
	AC/DC 24V		MOD70-LA0F-51	MOD70-LC0F-51	MOD70-LD0F-51	MOD70-LF0F-51	
	AC 110V	10.5W	MOD70-LA0M-51	MOD70-LC0M-51	MOD70-LD0M-51	MOD70-LF0M-51	
	AC 220V		MOD70-LA0N-51	MOD70-LC0N-51	MOD70-LD0N-51	MOD70-LF0N-51	

## Semi-manufactured goods order guide

### Light Units Order



MOD70+AD24+BLUE    MOD70+AD24+WHITE    MOD70+AD24+GREEN

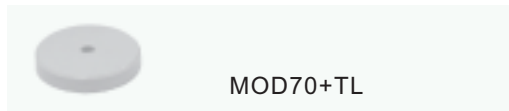
MOD70+AD24+ORANGE    MOD70+AD24+RED

**MOD70+AD12+GREEN**

<b>Series No.</b>	<b>Rate Voltage</b> AD12:AC/DC 12V AD24:AC/DC24V	<b>Light Colour</b> RED GREEN BLUE ORANGE WHITE
-------------------	--	--

Note: 1. AD12 Light units only for the 12V power supply.  
2. AD24 light units can be used in every voltage type, except 12V power supply.

### Top Cap Order

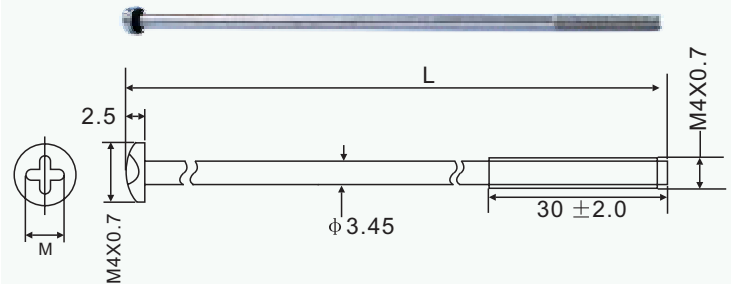


### Main Body Order

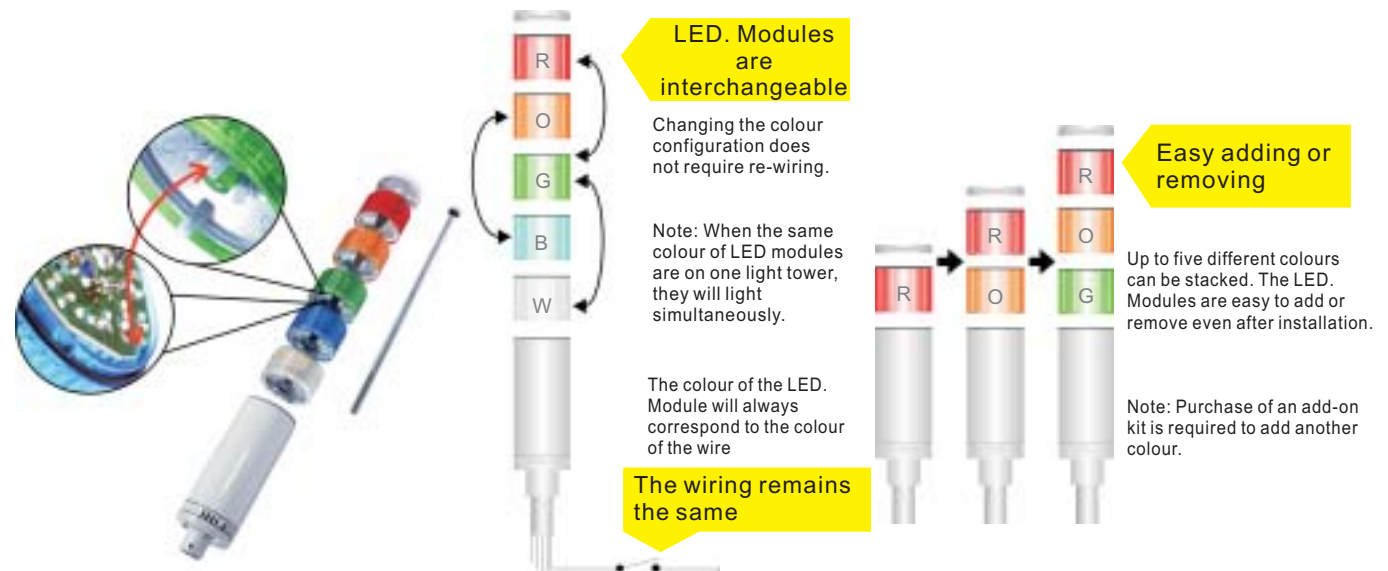


### Long Screw Order

Layer	Length(mm)	Model
1	59	MOD70+S1
2	101	MOD70+S2
3	142	MOD70+S3
4	183	MOD70+S4
5	225	MOD70+S5



### Assemble Guide



**LED. Modules are interchangeable**

Changing the colour configuration does not require re-wiring.

Note: When the same colour of LED modules are on one light tower, they will light simultaneously.

The colour of the LED. Module will always correspond to the colour of the wire

**The wiring remains the same**

**Easy adding or removing**

Up to five different colours can be stacked. The LED. Modules are easy to add or remove even after installation.

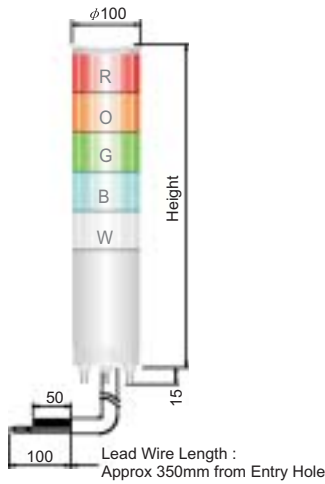
Note: Purchase of an add-on kit is required to add another colour.

# SIGNAL TOWER

## MOD100

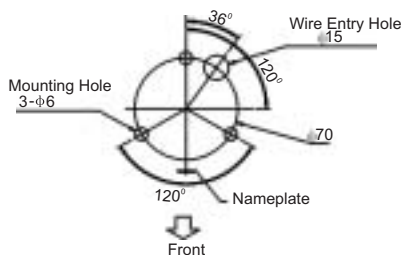


### Dimensions

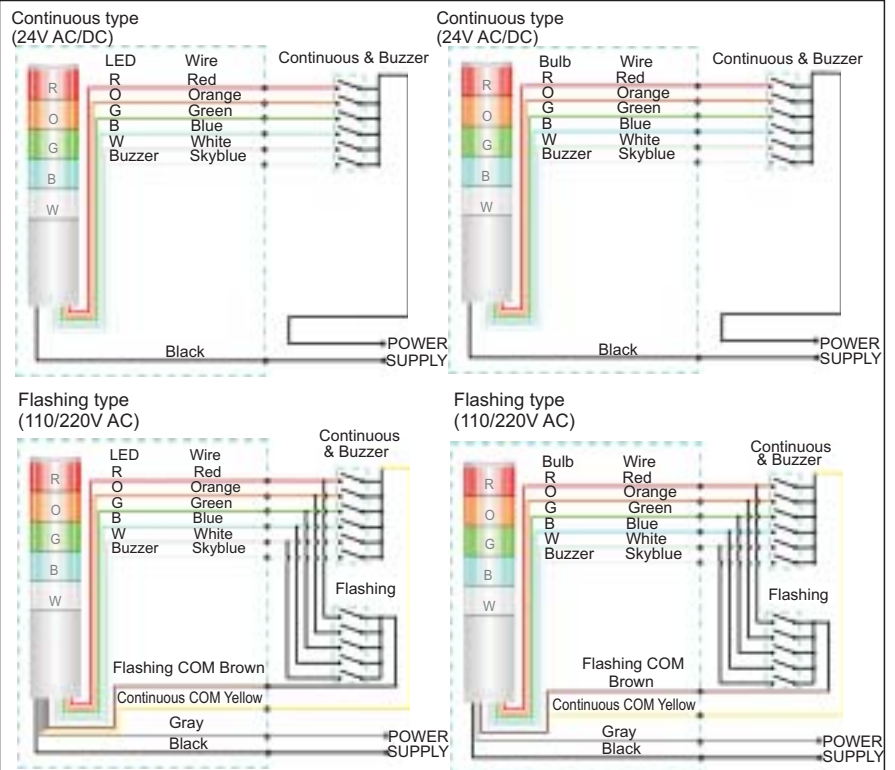


Height (mm)

- 1Light : 224
- 2Lights : 305.5
- 3Lights : 367
- 4Lights : 3428.5
- 5Lights : 490

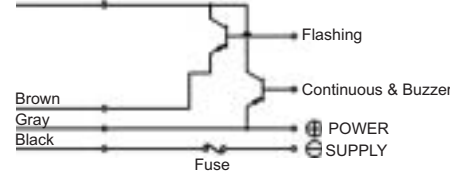


### Wiring Diagram In Direct Power Connection

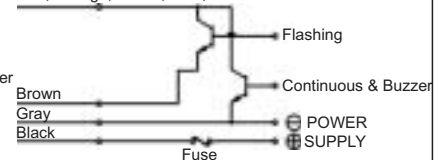


### Open collector (24VDC NPN/PNP)

**PNP transistor**  
Red, Orange, Green, Blue, White



**NPN transistor**  
Red, Orange, Green, Blue, White



## Describing

- Colours(LED type): Super-high-intensity for Red, Orange, Green, Blue, White(Combination in photo is standard, for other combinations, please contact us )
- Colours(Bulb type): Red, Orange, Green, Blue, White (combination in photo is standard; for other combinations, please contact us).
- Lens: Polycarbonate resin with superior resistance to impact and heat.
- Large prism cut lens (  $\phi$  100x60mm) improves the visibility from all direction, especially from below to fit to large equipment.
- Newly developed triple-reference system ensures high visibility with LED unit of 32 LEDs (Blue, White 16 LEDs) and low power consumption.
- Meets IP-54 for wash-down requirements.
- LED unit and incandescent unit can be combined (24V only), but same colour units can not be combined at the same time.
- High power sound volume; MAX 85dB.
- This model contains open-collector type NPN, PNP transistor which allows direct connection to
- Programmable Controller.(24V only)
- This series has Continuous, Continuous/Flashing with warning sound type according to operation methods.
- For details information, please refer to selection guide.
- Vibration Resistance: 10~55HZ Frequency,0.5mm amplitude in Y direction for 40 minutes.
- Shock resistance 500m/s<sup>2</sup> acceleration(approx.50G)in Y direction for three times.

## Type

### LED type

Style	Rated Voltage	Wattage	Model		Wire type
			Continuous Light	Continuous/Flashing Light With Warning Sound	
1 Light	AC/DC 24V	2W	MOD100-LA0F-11	MOD100-LF0F-11	Power source and Lead wire UL AWM1430 105° 300V VW-1 AWG20
	AC 110V		MOD100-LA0M-11	MOD100-LF0M-11	
	AC 220V		MOD100-LA0N-11	MOD100-LF0N-11	
2 Light	AC/DC 24V	4W	MOD100-LA0F-21	MOD100-LF0F-21	
	AC 110V		MOD100-LA0M-21	MOD100-LF0M-21	
	AC 220V		MOD100-LA0N-21	MOD100-LF0N-21	
3 Light	AC/DC 24V	6W	MOD100-LA0F-31	MOD100-LF0F-31	
	AC 110V		MOD100-LA0M-31	MOD100-LF0M-31	
	AC 220V		MOD100-LA0N-31	MOD100-LF0N-31	
4 Light	AC/DC 24V	8W	MOD100-LA0F-41	MOD100-LF0F-41	
	AC 110V		MOD100-LA0M-41	MOD100-LF0M-41	
	AC 220V		MOD100-LA0N-41	MOD100-LF0N-41	
5 Light	AC/DC 24V	10W	MOD100-LA0F-51	MOD100-LF0F-51	
	AC 110V		MOD100-LA0M-51	MOD100-LF0M-51	
	AC 220V		MOD100-LA0N-51	MOD100-LF0N-51	

### Bulb type

Style	Rated Voltage	Bulb	Model		Wire type
			Continuous Light	Continuous/Flashing Light With Warning Sound	
1 Light	AC/DC 24V	20W/per	MOD100-BA0F-11	MOD100-BF0F-11	Power source and Lead wire UL AWM1430 105° 300V VW-1 AWG20
	AC 110V		MOD100-BA0M-11	MOD100-BF0M-11	
	AC 220V		MOD100-BA0N-11	MOD100-BF0N-11	
2 Light	AC/DC 24V	20W/per	MOD100-BA0F-21	MOD100-BF0F-21	
	AC 110V		MOD100-BA0M-21	MOD100-BF0M-21	
	AC 220V		MOD100-BA0N-21	MOD100-BF0N-21	
3 Light	AC/DC 24V	20W/per	MOD100-BA0F-31	MOD100-BF0F-31	
	AC 110V		MOD100-BA0M-31	MOD100-BF0M-31	
	AC 220V		MOD100-BA0N-31	MOD100-BF0N-31	
4 Light	AC/DC 24V	20W/per	MOD100-BA0F-41	MOD100-BF0F-41	
	AC 110V		MOD100-BA0M-41	MOD100-BF0M-41	
	AC 220V		MOD100-BA0N-41	MOD100-BF0N-41	
5 Light	AC/DC 24V	20W/per	MOD100-BA0F-51	MOD100-BF0F-51	
	AC 110V		MOD100-BA0M-51	MOD100-BF0M-51	
	AC 220V		MOD100-BA0N-51	MOD100-BF0N-51	

# SIGNAL TOWER

## MSD100

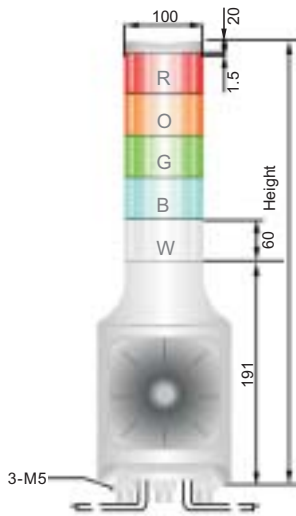


NPN/PNP

IP53

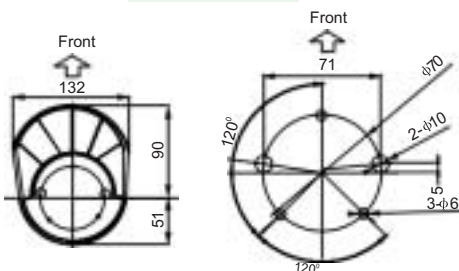


### Dimensions

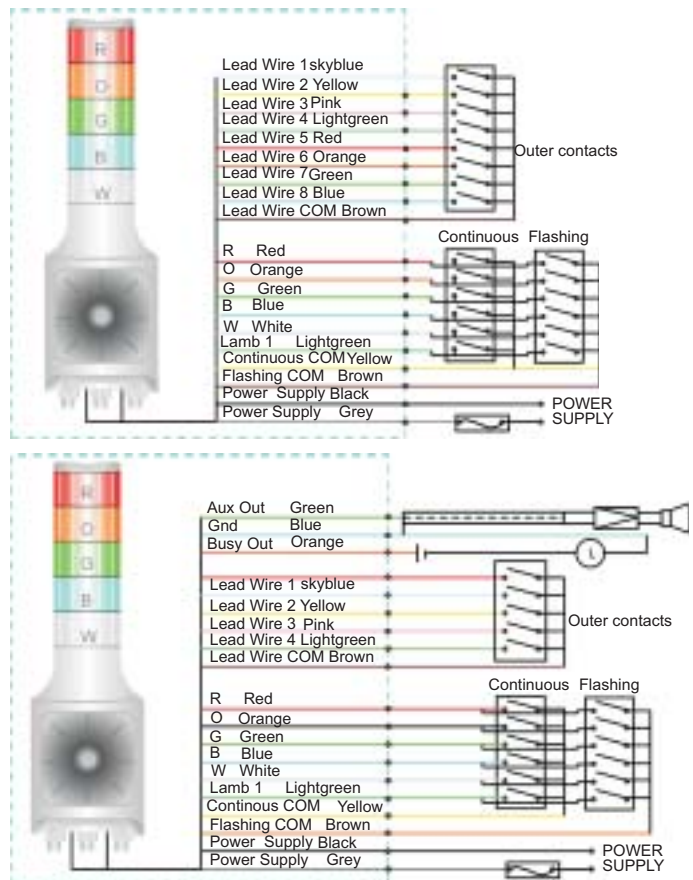


Height (mm)

- 1Light : 274
- 2Lights : 336
- 3Lights : 397
- 4Lights : 459
- 5Lights : 520

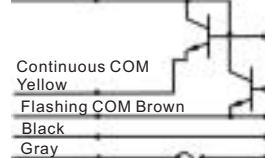


### Wiring Diagram In Direct Power Connection



#### NPN transistor

Lamp Red, Orange, Green, Blue, Light green



Sound Skyblue, Yellow, Pink, Light green



## Describing

- Colours: Red, Orange, Green, Blue, White (combination in photo is standard; for other combinations, please contact us).
- Lens: Polycarbonate resin with superior resistance to impact and heat.
- High power sound volume; Max 102dB/m (level can be adjusted)
- Large prism cut lens (  $\phi$  100x60mm ) improves the visibility from all direction , especially from be-low to fit to large equipment.
- Both Continuous and flashing lights are available.
- LED unit, xenon bulb unit and incandescent unit can be combined (24V only), but same colour units Can not be combined at the same time.
- Meets IP-54 for wash-down requirements.
- Because of the unified structure, the colour combinations can be easily changed.
- Unique vibration absorbing structure and vibration resistant bulb help to reduce vibration and impact from all machineries and greatly extend bulb life.
- Bayonet base bulb not to be loosen by vibration.
- Contains open-collector type NPN, PNP transistor. (24V only).
- Vibration Resistance: 10~55HZ Frequency, 0.5mm amplitude in Y direction for 40 minutes.
- Shock resistance 500m/s<sup>2</sup> acceleration(approx.50G)in Y direction for three times.

## Type

### ■ Bulb type

Style	Rated Voltage	Wattage	Model	Wire type
			Continuous/Flashing Light With Warning Sound	
1 Light	AC/DC 24V	28(32)W	MSD100-BF0F-11	Power source and Lead wire UL AWM1430 105° 300V VW-1 AWG20
	AC 110V	29W	MSD100-BF0M-11	
	AC 220V		MSD100-BF0N-11	
2 Light	AC/DC 24V	48(52)W	MSD100-BF0F-21	
	AC 110V	49W	MSD100-BF0M-21	
	AC 220V		MSD100-BF0N-21	
3 Light	AC/DC 24V	68(72)W	MSD100-BF0F-31	
	AC 110V	69W	MSD100-BF0M-31	
	AC 220V		MSD100-BF0N-31	
4 Light	AC/DC 24V	88(92)W	MSD100-BF0F-41	
	AC 110V	89W	MSD100-BF0M-41	
	AC 220V		MSD100-BF0N-41	
5 Light	AC/DC 24V	108(112)W	MSD100-BF0F-51	
	AC 110V	109W	MSD100-BF0M-51	
	AC 220V		MSD100-BF0N-51	

# SIGNAL TOWER

## MSD100

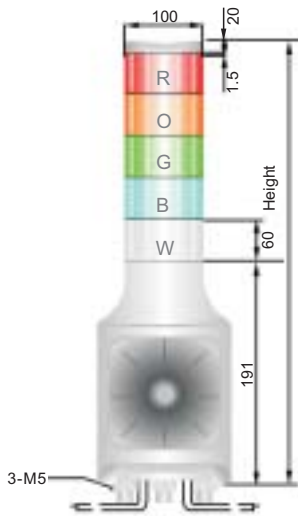


NPN/PNP

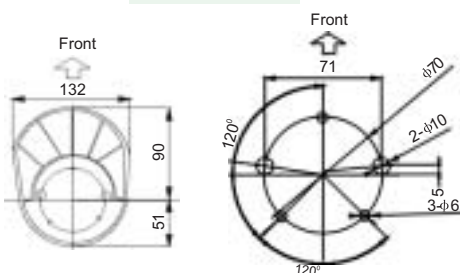
IP53



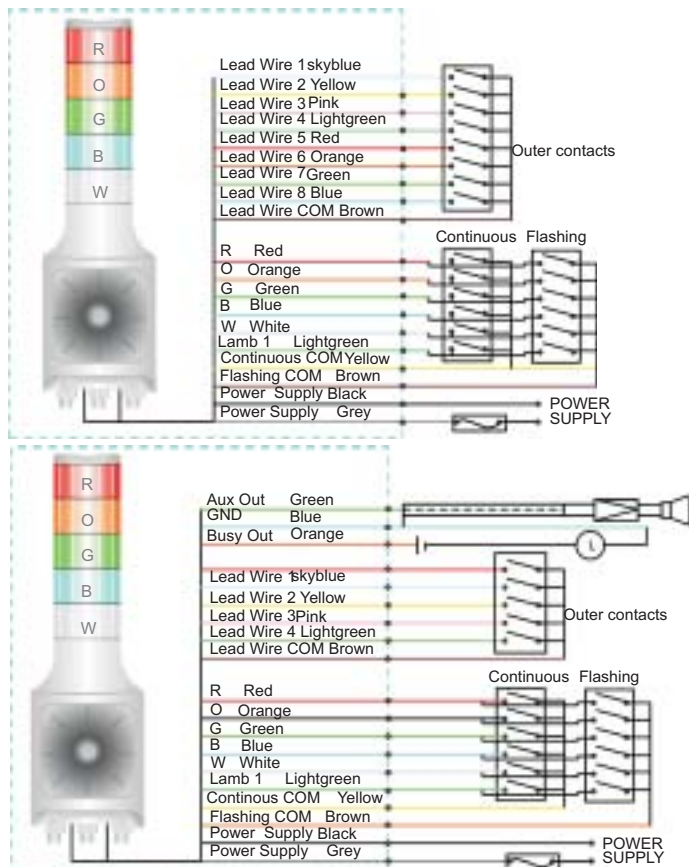
### Dimensions



Height (mm)	
1Light	274
2Lights	336
3Lights	397
4Lights	459
5Lights	520

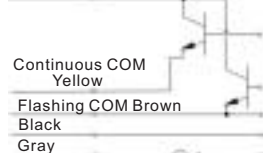


### Wiring Diagram In Direct Power Connection



#### NPN transistor

Lamp Red, Orange, Green, Blue, Light green



Sound Skyblue, Yellow, Pink, Light green

Continuous COM Yellow



## Describing

- Colours: Super-high-intensity Red, Super-high-intensity Orange, Super-high-intensity Green, Super -high-intensity Blue, Super-high-intensity White( combination in photo is standard, for other Combinations, please contact us.)
- Lens: Polycarbonate resin with superior resistance to impact and heat.
- High power sound volume; Max 102dB/m
- Triple-reference system ensures high visibility and low power consumption.
- Both Continuous and flashing lights are available.
- LED unit and incandescent unit can be combined (24V only), but same colour units can not be combined at the same time.
- Meets IP-54 for wash-down requirements.
- Because of the unified structure, the colour combinations can be easily changed.
- Contains open-collector type NPN, PNP transistor.( 24V type only)
- Vibration Resistance:10~55HZ Frequency,0.5mm amplitude in Y direction for 40 minutes.
- Shock resistance 500m/s<sup>2</sup> acceleration(approx.50G)in Y direction for three times.

## Type

### LED type

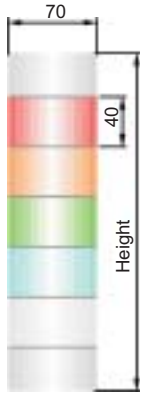
Style	Rated Voltage	Wattage	Model	Wire type
			Continuous/Flashing Light With Warning Sound	
1 Light	AC/DC 24V	11(14)W	MSD100-LF0F-11	Power source and Lead wire UL AWM1430 105° 300V VW-1 AWG20
	AC 110V	12W	MSD100-LF0M-11	
	AC 220V		MSD100-LF0N-11	
2 Light	AC/DC 24V	12(16)W	MSD100-LF0F-21	
	AC 110V	15W	MSD100-LF0M-21	
	AC 220V		MSD100-LF0N-21	
3 Light	AC/DC 24V	17(18)W	MSD100-LF0F-31	
	AC 110V	18W	MSD100-LF0M-31	
	AC 220V		MSD100-LF0N-31	
4 Light	AC/DC 24V	20W	MSD100-LF0F-41	
	AC 110V	21W	MSD100-LF0M-41	
	AC 220V		MSD100-LF0N-41	
5 Light	AC/DC 24V	21W	MSD100-LF0F-51	
	AC 110V	24W	MSD100-LF0M-51	
	AC 220V		MSD100-LF0N-51	

# SIGNAL TOWER

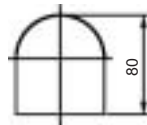
## MCW70



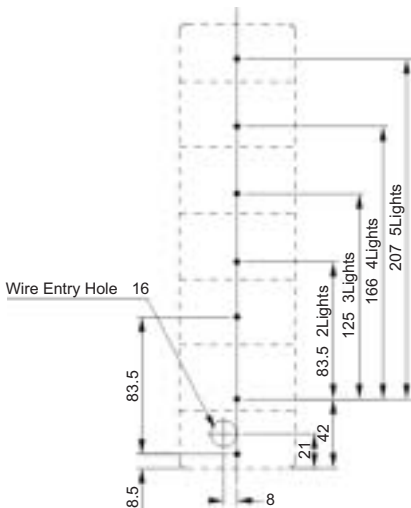
### Dimensions



Height (mm)
1Light : 106
2Lights : 147
3Lights : 188
4Lights : 229
5Lights : 270

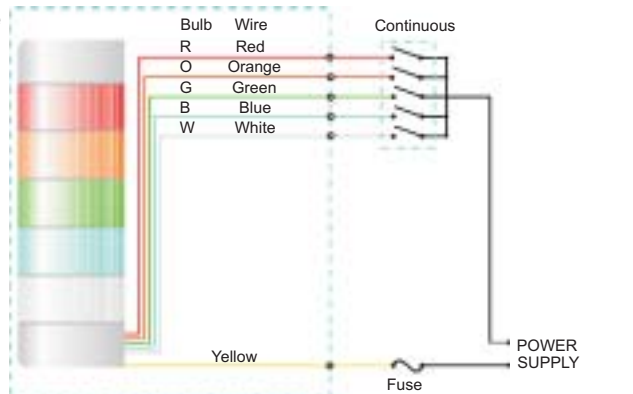


Lead Wire Length :  
Approx 1,000mm from Entry Hole

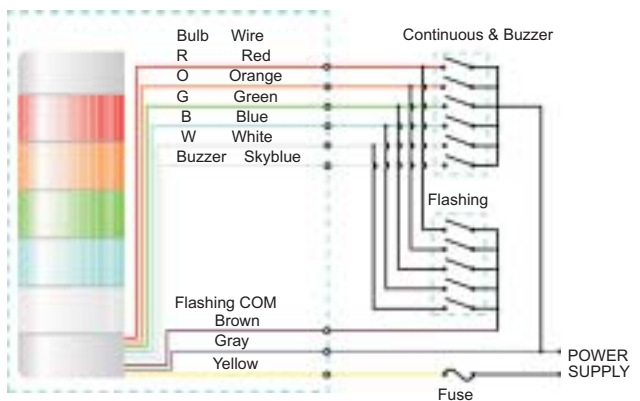


### Wiring Diagram In Direct Power Connection

#### Continuous type

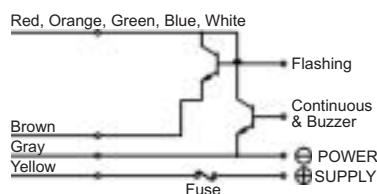


#### Flashing type

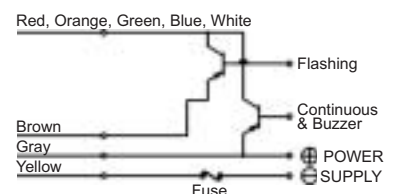


#### Open collector (DC 24V)

##### NPN transistor



##### PNP transistor



## Describing

- Colours: Red , Orange, Green, Blue, Clear (combination in photo is standard; for other combinations, please contact us)
- Lens: Polycarbonate resin with superior resistance to impact and heat.
- Unique vibration absorbing structure and newly developed vibration resistant bulb help to reduce vibration and impact from all machineries and greatly extend bulb life.
- Bayonet base bulb not to be loosen by vibration.
- Newly developed prism cut lens offers the brightest light available and improved the visibility from all directions.
- Can be readily mounted vertically or horizontally to either front panel or ceilings.
- Meets IP-54 for wash-down requirements.
- Easy to be mounted by special tool.
- Easy to change bulbs.
- This model contains open-collector type NPN, PNP transistor which allows direct connection to Programmable Controller.(24V type only)
- The buzzer has gentle audible alarm high volume; 80dB/m
- The CSA & CE marking is available. The CSA approval number is 219967-143081.
- This series has Continuous, Continuous/Flashing with warning sound type according to operation methods.
- For details information, please refer to selected guide.
- Vibration Resistance: 10~55HZ Frequency, 0.5mm amplitude in Y direction for 40 minutes.
- Shock resistance 500m/s<sup>2</sup> acceleration(approx.50G)in Y direction for three times.

## Type

### Blub type

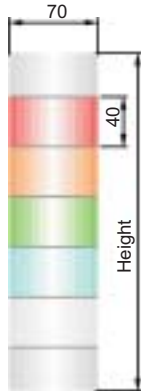
Style	Rated Voltage	Bulb	Model		Wire type
			Continuous Light	Continuous/Flashing Light With Warning Sound	
1 Light	AC/DC 24V	28V 11W	MCW70-BA0F-11	MCW70-BF0F-11	Power source and Lead wire UL AWM1430 105° 300V VW-1 AWG20
	AC 110V	110V 12W	MCW70-BA0M-11	MCW70-BF0M-11	
	AC 220V	250V 11W	MCW70-BA0N-11	MCW70-BF0N-11	
2 Light	AC/DC 24V	28V 11W	MCW70-BA0F-21	MCW70-BF0F-21	
	AC 110V	110V 12W	MCW70-BA0M-21	MCW70-BF0M-21	
	AC 220V	250V 11W	MCW70-BA0N-21	MCW70-BF0N-21	
3 Light	AC/DC 24V	28V 11W	MCW70-BA0F-31	MCW70-BF0F-31	
	AC 110V	110V 12W	MCW70-BA0M-31	MCW70-BF0M-31	
	AC 220V	250V 11W	MCW70-BA0N-31	MCW70-BF0N-31	
4 Light	AC/DC 24V	28V 11W	MCW70-BA0F-41	MCW70-BF0F-41	
	AC 110V	110V 12W	MCW70-BA0M-41	MCW70-BF0M-41	
	AC 220V	250V 11W	MCW70-BA0N-41	MCW70-BF0N-41	
5 Light	AC/DC 24V	28V 11W	MCW70-BA0F-51	MCW70-BF0F-51	
	AC 110V	110V 12W	MCW70-BA0M-51	MCW70-BF0M-51	
	AC 220V	250V 11W	MCW70-BA0N-51	MCW70-BF0N-51	

# SIGNAL TOWER

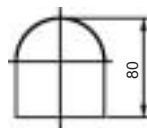
## MCW70



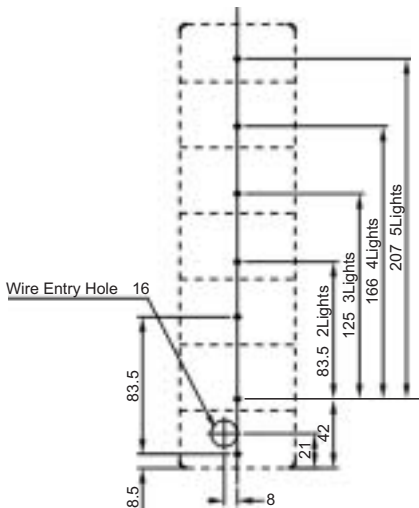
### Dimensions



Height (mm)	
1Light	: 106
2Lights	: 147
3Lights	: 188
4Lights	: 229
5Lights	: 270

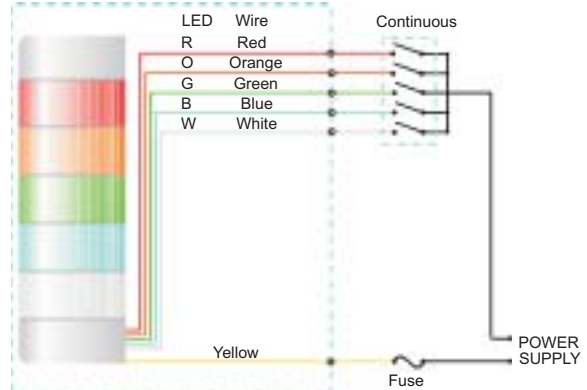


Lead Wire Length :  
Approx 1,000mm from Entry Hole

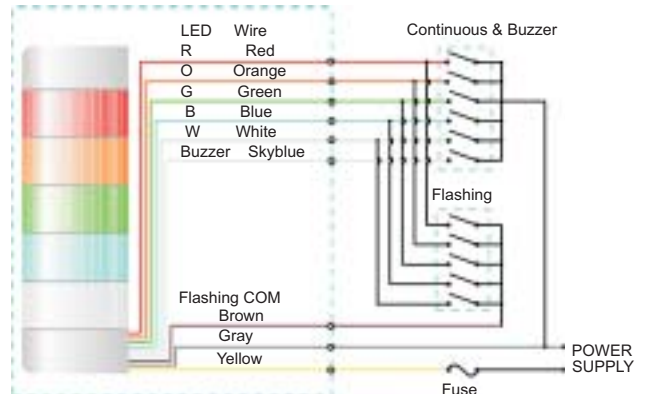


### Wiring Diagram In Direct Power Connection

#### Continuous type

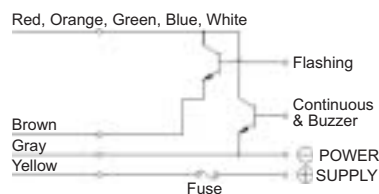


#### Flashing type

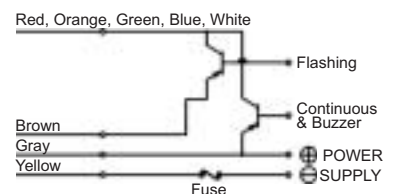


#### Open collector (DC 24V)

##### NPN transistor



##### PNP transistor



## Describing

- Colours: Super-high-intensity Red, Super-high-intensity Orange, Super-high-intensity Green , Super-high-intensity Blue, Super-high-intensity White ( combination in photo is standard, for other combinations, please contact us.)
- Lens: Polycarbonate resin with superior resistance to impact and heat.
- Our LED reflection system, improved luminosity and ends the problem of burned out bulbs.
- Because of the unified structure, the colour combinations can be easily changed.
- Can be readily mounted vertically or horizontally to either front panel or ceilings.
- Meets IP-54 for wash-down requirements.
- Easy to be mounted by special tool.
- This model contains open-collector type NPN, PNP transistor which allows direct connection to Programmable Controller. (24V type only)
- The buzzer has gentle audible alarm high volume; 80dB/m
- The CSA & CE marking is available. The CSA approval number is 219967-143081.
- This series has Continuous, Continuous/Flashing with warning sound type according to operation methods.
- For details information, please refer to selected guide.
- Vibration Resistance: 10~55HZ Frequency,0.5mm amplitude in Y direction for 40 minutes.
- Shock resistance 500m/s<sup>2</sup> acceleration(approx.50G)in Y direction for three times.

## Type

### ■ LED type

Style	Rated Voltage	Wattage	Model		Wire type
			Continuous Light	Continuous/Flashing Light With Warning Sound	
1 Light	AC/DC 24V	2W	MCW70-LA0F-11	MCW70-LF0F-11	Power source and Lead wire UL AWM1430 105° 300V VW-1 AWG20
	AC 110V	3W	MCW70-LA0M-11	MCW70-LF0M-11	
	AC 220V	3W	MCW70-LA0N-11	MCW70-LF0N-11	
2 Light	AC/DC 24V	4W	MCW70-LA0F-21	MCW70-LF0F-21	
	AC 110V	6W	MCW70-LA0M-21	MCW70-LF0M-21	
	AC 220V	5W	MCW70-LA0N-21	MCW70-LF0N-21	
3 Light	AC/DC 24V	6W	MCW70-LA0F-31	MCW70-LF0F-31	
	AC 110V	9W	MCW70-LA0M-31	MCW70-LF0M-31	
	AC 220V	7W	MCW70-LA0N-31	MCW70-LF0N-31	
4 Light	AC/DC 24V	8W	MCW70-LA0F-41	MCW70-LF0F-41	
	AC 110V	12W	MCW70-LA0M-41	MCW70-LF0M-41	
	AC 220V	9W	MCW70-LA0N-41	MCW70-LF0N-41	
5 Light	AC/DC 24V	10W	MCW70-LA0F-51	MCW70-LF0F-51	
	AC 110V	15W	MCW70-LA0M-51	MCW70-LF0M-51	
	AC 220V	11W	MCW70-LA0N-51	MCW70-LF0N-51	