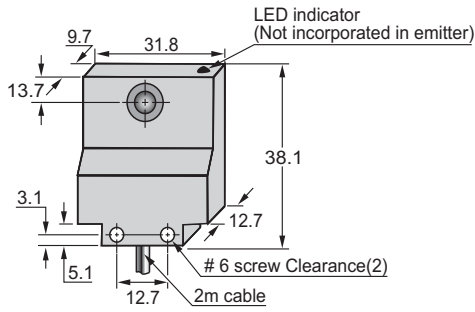


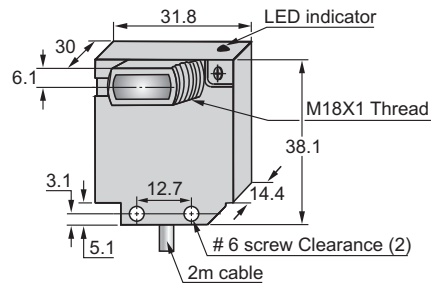
## Dimensions (Unit: mm)

U: EP SERIES

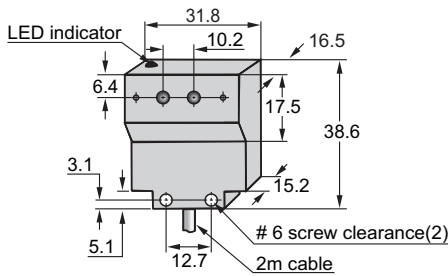
### Opposed Sensor



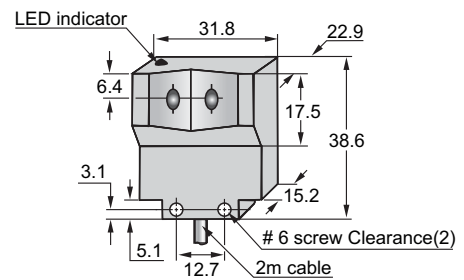
### Retroreflective Sensor



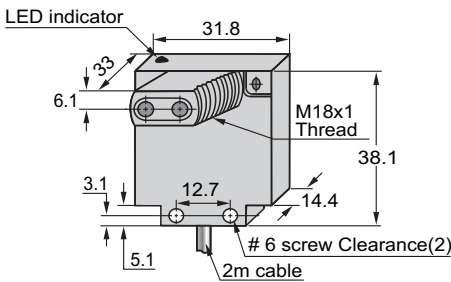
### Diffuse Sensor



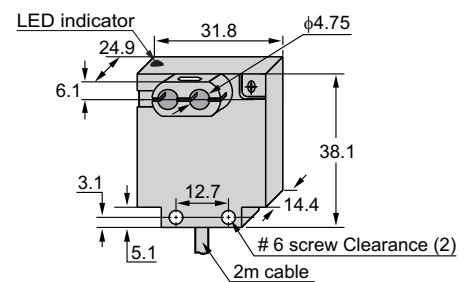
### Convergent Sensor



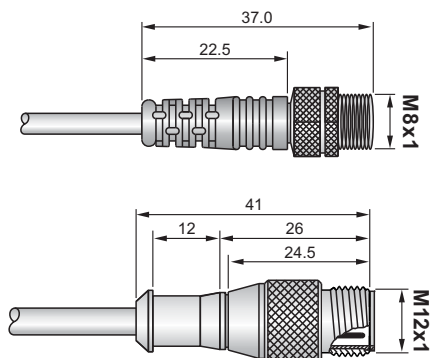
### Glass Fiber Sensor



### Plastic Fiber Sensor



### Pigtail\* Type



\*: Please see **Pigtail Series** or our **Cables & Connectors** catalogue for more information.