

**PART D-01 ~ D-13**

Diameter
● Shielded ○ non-Shielded
Switching Distance Sn mm
Housing Material
● With LED ○ Without LED

Dimensions (unit: mm)
-----------------------

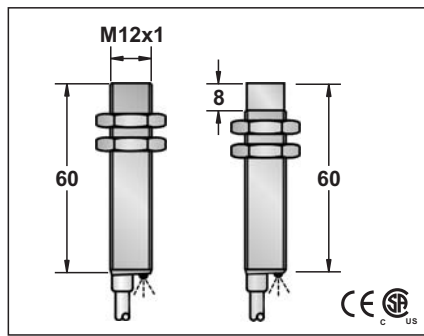
Operating Voltage	20-250VAC
Ripple	-
No Load Current	<1.8mA
Max. Load Current	400mA
Leakge Current	<1.8mA
Surge Current	5A(20ms)
Min. Load Current	5mA
Voltage Drop	<8VAC AT 400mA
Switching Frequency	<25HZ
Response Time	10ms/10ms
Switching Hysteresis	<15%(Sr)
Repeat Accuracy	<1.0%(Sr)
Protection Category	IP67
Operating Temperature	-25 °C - +70 °C
Temperature Drift	<10%(Sr)
Short Circuit Protection	NO
Overload Trip Point	-
Time Delay Before Availability	-
EMC	RFI>3V/m / EFT>1KV / ESD>4KV (contact)
Shock / Vibration	IEC 60947-5-2,Part 7.4.1 / IEC 60947-5-2,Part 7.4.2
Material Active Face	POM PBT
DC 3 wire 10-30V NPN N.O.	
DC 3 wire 10-30V NPN N.C.	
DC 3 wire 10-30V PNP N.O.	
DC 3 wire 10-30V PNP N.C.	
DC 4 wire 10-30V Changeover PNP (N.O. & N.C.)	
DC 4 wire 10-30V Changeover NPN (N.O. & N.C.)	
DC 2 wire 10-60V N.O.	
DC 2 wire 10-60V N.C.	
DC 3 wire 10-55v NPN N.O. or NAMUR	
DC 3 wire 10-55v NPN N.C.	
DC 3 wire 10-55v PNP N.O.	
DC 3 wire 10-55v PNP N.C.	
AC 2 wire 20-250V N.O.	FCM1-1202A-A3L2 11 FCM2-1204A-A3L2
AC 2 wire 20-250V N.C.	FCM1-1202A-B3L2 12 FCM2-1204A-B3L2
AC 2 wire 20-250V N.O. or N.C. Changeable	
AC/DC 2 wire 20-250V N.O.	
AC/DC 2 wire 20-250V N.C.	
AC/DC 2 wire 20-250V N.O. or N.C. Changeable	

Remark
--------

Cable 2M (PVC)	4 φ 3x0.34
Weight	Approx.77 g

**AC INDUCTIVE PROXIMITY SWITCH**

M 12	
●	○
2 mm	4 mm
stainless steel or nickel plated brass	
●	



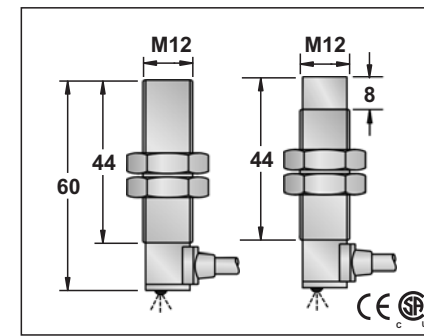
Operating Voltage	20-250VAC
Ripple	-
No Load Current	<1.8mA
Max. Load Current	400mA
Leakge Current	<1.8mA
Surge Current	5A(20ms)
Min. Load Current	5mA
Voltage Drop	<8VAC AT 400mA
Switching Frequency	<25HZ
Response Time	10ms/10ms
Switching Hysteresis	<15%(Sr)
Repeat Accuracy	<1.0%(Sr)
Protection Category	IP67
Operating Temperature	-25 °C - +70 °C
Temperature Drift	<10%(Sr)
Short Circuit Protection	NO
Overload Trip Point	-
Time Delay Before Availability	-
EMC	RFI>3V/m / EFT>1KV / ESD>4KV (contact)
Shock / Vibration	IEC 60947-5-2,Part 7.4.1 / IEC 60947-5-2,Part 7.4.2
Material Active Face	POM PBT

DC 3 wire 10-30V NPN N.O.	
DC 3 wire 10-30V NPN N.C.	
DC 3 wire 10-30V PNP N.O.	
DC 3 wire 10-30V PNP N.C.	
DC 4 wire 10-30V Changeover PNP (N.O. & N.C.)	
DC 4 wire 10-30V Changeover NPN (N.O. & N.C.)	
DC 2 wire 10-60V N.O.	
DC 2 wire 10-60V N.C.	
DC 3 wire 10-55v NPN N.O. or NAMUR	
DC 3 wire 10-55v NPN N.C.	
DC 3 wire 10-55v PNP N.O.	
DC 3 wire 10-55v PNP N.C.	
AC 2 wire 20-250V N.O.	FCM1-1202A-A3L2 11 FCM2-1204A-A3L2
AC 2 wire 20-250V N.C.	FCM1-1202A-B3L2 12 FCM2-1204A-B3L2
AC 2 wire 20-250V N.O. or N.C. Changeable	
AC/DC 2 wire 20-250V N.O.	
AC/DC 2 wire 20-250V N.C.	
AC/DC 2 wire 20-250V N.O. or N.C. Changeable	

Remark
--------

Cable 2M (PVC)	4 φ 3x0.34
Weight	Approx.77 g

M 12	
●	○
2 mm	4 mm
stainless steel or nickel plated brass	
●	



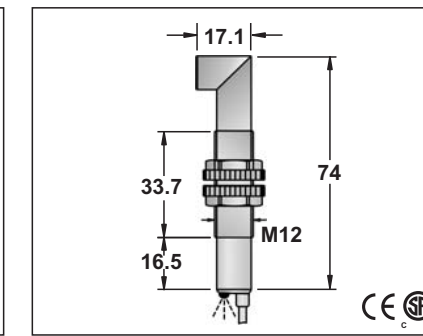
Operating Voltage	20-250VAC
Ripple	-
No Load Current	<1.8mA
Max. Load Current	400mA
Leakge Current	<1.8mA
Surge Current	5A(20ms)
Min. Load Current	5mA
Voltage Drop	<8VAC AT 400MA
Switching Frequency	<25HZ
Response Time	10ms/10ms
Switching Hysteresis	<15%(Sr)
Repeat Accuracy	<1.0%(Sr)
Protection Category	IP67
Operating Temperature	-25 °C - +70 °C
Temperature Drift	<10%(Sr)
Short Circuit Protection	NO
Overload Trip Point	-
Time Delay Before Availability	-
EMC	RFI>3V/m / EFT>1KV / ESD>4KV (contact)
Shock / Vibration	IEC 60947-5-2,Part 7.4.1 / IEC 60947-5-2,Part 7.4.2
Material Active Face	POM PBT

DC 3 wire 10-30V NPN N.O.	
DC 3 wire 10-30V NPN N.C.	
DC 3 wire 10-30V PNP N.O.	
DC 3 wire 10-30V PNP N.C.	
DC 4 wire 10-30V Changeover PNP (N.O. & N.C.)	
DC 4 wire 10-30V Changeover NPN (N.O. & N.C.)	
DC 2 wire 10-60V N.O.	
DC 2 wire 10-60V N.C.	
DC 3 wire 10-55v NPN N.O. or NAMUR	
DC 3 wire 10-55v NPN N.C.	
DC 3 wire 10-55v PNP N.O.	
DC 3 wire 10-55v PNP N.C.	
AC 2 wire 20-250V N.O.	FCM1-1202A-A3L2Y 11 FCM2-1204A-A3L2Y
AC 2 wire 20-250V N.C.	FCM1-1202A-B3L2Y 12 FCM2-1204A-B3L2Y
AC 2 wire 20-250V N.O. or N.C. Changeable	
AC/DC 2 wire 20-250V N.O.	
AC/DC 2 wire 20-250V N.C.	
AC/DC 2 wire 20-250V N.O. or N.C. Changeable	

Remark
--------

Cable 2M (PVC)	4 φ 3x0.34
Weight	Approx.77 g

M 12	
●	○
2 mm	4 mm
stainless steel or nickel plated brass	
●	



Operating Voltage	20-250VAC
Ripple	-
No Load Current	<1.8mA
Max. Load Current	400mA
Leakge Current	<1.8mA
Surge Current	5A(20ms)
Min. Load Current	5mA
Voltage Drop	<8VAC AT 400MA
Switching Frequency	<25HZ
Response Time	10ms/10ms
Switching Hysteresis	<15%(Sr)
Repeat Accuracy	<1.0%(Sr)
Protection Category	IP67
Operating Temperature	-25 °C - +70 °C
Temperature Drift	<10%(Sr)
Short Circuit Protection	NO
Overload Trip Point	-
Time Delay Before Availability	-
EMC	RFI>3V/m / EFT>1KV / ESD>4KV (contact)
Shock / Vibration	IEC 60947-5-2,Part 7.4.1 / IEC 60947-5-2,Part 7.4.2
Material Active Face	POM

DC 3 wire 10-30V NPN N.O.	
DC 3 wire 10-30V NPN N.C.	
DC 3 wire 10-30V PNP N.O.	
DC 3 wire 10-30V PNP N.C.	
DC 4 wire 10-30V Changeover PNP (N.O. & N.C.)	
DC 4 wire 10-30V Changeover NPN (N.O. & N.C.)	
DC 2 wire 10-60V N.O.	
DC 2 wire 10-60V N.C.	
DC 3 wire 10-55v NPN N.O. or NAMUR	
DC 3 wire 10-55v NPN N.C.	
DC 3 wire 10-55v PNP N.O.	
DC 3 wire 10-55v PNP N.C.	
AC 2 wire 20-250V N.O.	FCM1-1202A-A3L2Z 11 FCM2-1204A-A3L2Z
AC 2 wire 20-250V N.C.	FCM1-1202A-B3L2Z 12 FCM2-1204A-B3L2Z
AC 2 wire 20-250V N.O. or N.C. Changeable	
AC/DC 2 wire 20-250V N.O.	
AC/DC 2 wire 20-250V N.C.	
AC/DC 2 wire 20-250V N.O. or N.C. Changeable	

Remark
--------

Cable 2M (PVC)	4 φ 3x0.34
Weight	Approx.77 g



