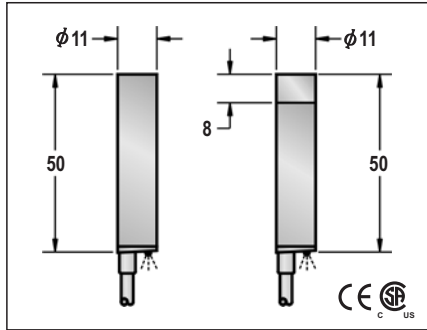


DC INDUCTIVE PROXIMITY SWITCH

φ 11	
●	○
2 mm	4 mm
stainless steel or nickel plated brass	
●	



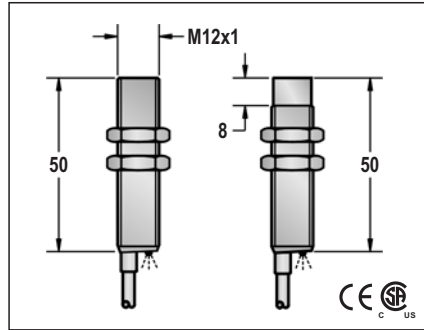
10-30VDC or 5-36VDC or 10-55VDC	
<10%	
<10mA	<20mA
200mA	
<0.01mA	
-	
-	
<1.5V or <1.0V or <2.0V	
2KHZ	1KHZ
0.1ms/0.1ms	0.2ms/0.2ms
<15%(Sr)	
<1.0%(Sr)	
IP67	
-25°C - +70°C	
<10%(Sr)	
YES	
220mA	
<10ms	
RFI>3V/m / EFT>1KV / ESD>4KV (contact)	
IEC 60947-5-2, Part 7.4.1 / IEC 60947-5-2, Part 7.4.2	
POM	

FCM1-D1102N-A3U2	1	FCM2-D1104N-A3U2
FCM1-D1102N-B3U2	2	FCM2-D1104N-B3U2
FCM1-D1102P-A3U2	3	FCM2-D1104P-A3U2
FCM1-D1102P-B3U2	4	FCM2-D1104P-B3U2
FCM1-D1102P-S4U2	6	FCM2-D1104P-S4U2
FCM1-D1102N-S4U2	2	FCM2-D1104N-S4U2
FCM1-D1102C-A2U2	7	FCM2-D1104C-A2U2
FCM1-D1102C-B2U2	8	FCM2-D1104C-B2U2
HCM1-D1102N-A3U2	1	HCM2-D1104N-A3U2
HCM1-D1102N-B3U2	2	HCM2-D1104N-B3U2
HCM1-D1102P-A3U2	3	HCM2-D1104P-A3U2
HCM1-D1102P-B3U2	4	HCM2-D1104P-B3U2
ICM1-D1102N-A3U2	1	ICM2-D1104N-A3U2
ICM1-D1102N-B3U2	2	ICM2-D1104N-B3U2
ICM1-D1102P-A3U2	3	ICM2-D1104P-A3U2
ICM1-D1102P-B3U2	4	ICM2-D1104P-B3U2
ICM1-D1102P-S4U2	6	ICM2-D1104P-S4U2
ICM1-D1102N-S4U2	2	ICM2-D1104N-S4U2

Voltage Drop: <1.5V (for Operating Volt. 10-30V)
<1V (for Operating Volt. 5-36V)
<2V (for Operating Volt. 10-55V)
This applies to all models in the category of
DC INDUCTIVE PROXIMITY SWITCH.

4 φ 3x0.15	
Approx.55 g	

M 12	
●	○
2 mm	4 mm
stainless steel or nickel plated brass	
●	



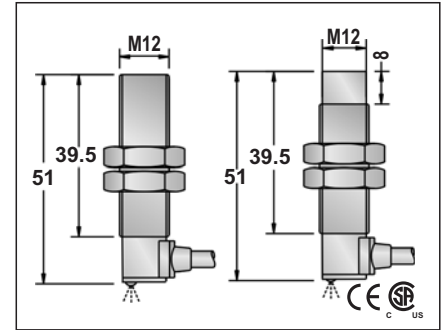
10-30VDC or 5-36VDC or 10-55VDC	
<10%	
<10mA	<20mA
200mA	
<0.01mA	
-	
-	
<1.5V or <1.0V or <2.0V	
2KHZ	1KHZ
0.1ms/0.1ms	0.2ms/0.2ms
<15%(Sr)	
<1.0%(Sr)	
IP67	
-25°C - +70°C	
<10%(Sr)	
YES	
220mA	
<10ms	
RFI>3V/m / EFT>1KV / ESD>4KV (contact)	
IEC 60947-5-2, Part 7.4.1 / IEC 60947-5-2, Part 7.4.2	
POM	PBT

FCM1-1202N-A3U2	1	FCM2-1204N-A3U2
FCM1-1202N-B3U2	2	FCM2-1204N-B3U2
FCM1-1202P-A3U2	3	FCM2-1204P-A3U2
FCM1-1202P-B3U2	4	FCM2-1204P-B3U2
FCM1-1202P-S4U2	6	FCM2-1204P-S4U2
FCM1-1202N-S4U2	5	FCM2-1204N-S4U2
FCM1-1202C-A2U2	7	FCM2-1204C-A2U2
FCM1-1202C-B2U2	8	FCM2-1204C-B2U2
HCM1-1202N-A3U2	1	HCM2-1204N-A3U2
HCM1-1202N-B3U2	2	HCM2-1204N-B3U2
HCM1-1202P-A3U2	3	HCM2-1204P-A3U2
HCM1-1202P-B3U2	4	HCM2-1204P-B3U2
ICM1-1202N-A3U2	1	ICM2-1204N-A3U2
ICM1-1202N-B3U2	2	ICM2-1204N-B3U2
ICM1-1202P-A3U2	3	ICM2-1204P-A3U2
ICM1-1202P-B3U2	4	ICM2-1204P-B3U2
ICM1-1202P-S4U2	6	ICM2-1204P-S4U2
ICM1-1202N-S4U2	5	ICM2-1204N-S4U2

Please see Page 18 for details and
specifications of DC 2-Wire models
on this page.

4 φ 3x0.15	
Approx.67 g	Approx.65 g

M 12	
●	○
2 mm	4 mm
stainless steel or nickel plated brass	
●	



10-30VDC or 5-36VDC or 10-55VDC	
<10%	
<10mA	<20mA
200mA	
<0.01mA	
-	
-	
<1.5V or <1.0V or <2.0V	
2KHZ	1KHZ
0.1ms/0.1ms	0.2ms/0.2ms
<15%(Sr)	
<1.0%(Sr)	
IP67	
-25°C - +70°C	
<10%(Sr)	
YES	
220mA	
<10ms	
RFI>3V/m / EFT>1KV / ESD>4KV (contact)	
IEC 60947-5-2, Part 7.4.1 / IEC 60947-5-2, Part 7.4.2	
POM	PBT

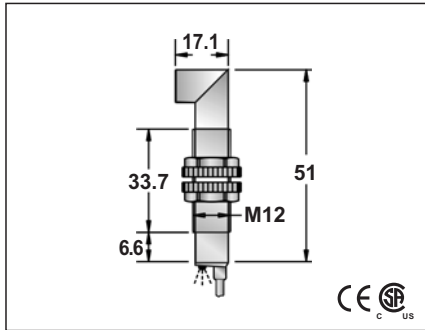
FCM1-1202N-A3U2Y	1	FCM2-1204N-A3U2Y
FCM1-1202N-B3U2Y	2	FCM2-1204N-B3U2Y
FCM1-1202P-A3U2Y	3	FCM2-1204P-A3U2Y
FCM1-1202P-B3U2Y	4	FCM2-1204P-B3U2Y
FCM1-1202P-S4U2Y	6	FCM2-1204P-S4U2Y
FCM1-1202N-S4U2Y	5	FCM2-1204N-S4U2Y
FCM1-1202C-A2U2Y	7	FCM2-1204C-A2U2Y
FCM1-1202C-B2U2Y	8	FCM2-1204C-B2U2Y
HCM1-1202N-A3U2Y	1	HCM2-1204N-A3U2Y
HCM1-1202N-B3U2Y	2	HCM2-1204N-B3U2Y
HCM1-1202P-A3U2Y	3	HCM2-1204P-A3U2Y
HCM1-1202P-B3U2Y	4	HCM2-1204P-B3U2Y
ICM1-1202N-A3U2Y	1	ICM2-1204N-A3U2Y
ICM1-1202N-B3U2Y	2	ICM2-1204N-B3U2Y
ICM1-1202P-A3U2Y	3	ICM2-1204P-A3U2Y
ICM1-1202P-B3U2Y	4	ICM2-1204P-B3U2Y
ICM1-1202P-S4U2Y	6	ICM2-1204P-S4U2Y
ICM1-1202N-S4U2Y	5	ICM2-1204N-S4U2Y

Hxxx-xxxx-xxxx.
↳ DC 10-55V type no load current
< 20mA. Following page is same.

4 φ 3x0.15	
Approx.67 g	Approx.65 g

DC INDUCTIVE PROXIMITY SWITCH

M 12	
●	○
2 mm	4 mm
stainless steel or nickel plated brass	
●	



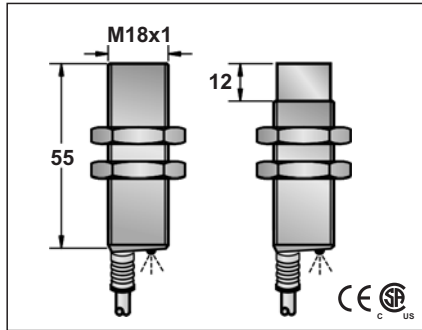
10-30VDC or 5-36VDC or 10-55VDC	
<10%	
<10mA	<20mA
200mA	
<0.01mA	
-	
-	
<1.5V or <1.0V or <2.0V	
2KHZ	1KHZ
0.1ms/0.1ms	0.2ms/0.2ms
<15%(Sr)	
<1.0%(Sr)	
IP67	
-25 °C - +70 °C	
<10%(Sr)	
YES	
220mA	
<10ms	
RFI>3V/m / EFT>1KV / ESD>4KV (contact)	
IEC 60947-5-2,Part 7.4.1 / IEC 60947-5-2,Part 7.4.2	
POM	

FCM1-1202N-A3U2Z	1	FCM2-1204N-A3U2Z
FCM1-1202N-B3U2Z	2	FCM2-1204N-B3U2Z
FCM1-1202P-A3U2Z	3	FCM2-1204P-A3U2Z
FCM1-1202P-B3U2Z	4	FCM2-1204P-B3U2Z
FCM1-1202P-S4U2Z	6	FCM2-1204P-S4U2Z
FCM1-1202N-S4U2Z	5	FCM2-1204N-S4U2Z
FCM1-1202C-A2U2Z	7	FCM2-1204C-A2U2Z
FCM1-1202C-B2U2Z	8	FCM2-1204C-B2U2Z
HCM1-1202N-A3U2Z	1	HCM2-1204N-A3U2Z
HCM1-1202N-B3U2Z	2	HCM2-1204N-B3U2Z
HCM1-1202P-A3U2Z	3	HCM2-1204P-A3U2Z
HCM1-1202P-B3U2Z	4	HCM2-1204P-B3U2Z
ICM1-1202N-A3U2Z	1	ICM2-1204N-A3U2Z
ICM1-1202N-B3U2Z	2	ICM2-1204N-B3U2Z
ICM1-1202P-A3U2Z	3	ICM2-1204P-A3U2Z
ICM1-1202P-B3U2Z	4	ICM2-1204P-B3U2Z
ICM1-1202P-S4U2Z	6	ICM2-1204P-S4U2Z
ICM1-1202N-S4U2Z	5	ICM2-1204N-S4U2Z

Voltage Drop: <1.5V (for Operating Volt. 10-30V)
 <1V (for Operating Volt. 5-36V)
 <2V (for Operating Volt. 10-55V)
 This applies to all models in the category of
 DC INDUCTIVE PROXIMITY SWITCH.

4 φ 3x0.15	
Approx.153 g	Approx.144 g

M18	
●	○
5 mm	8 mm
stainless steel or nickel plated brass	
●	



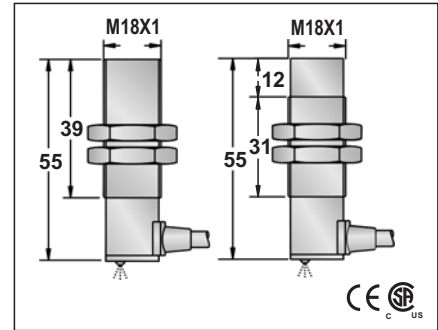
10-30VDC or 5-36VDC or 10-55VDC	
<10%	
<10mA	<20mA
200mA	
<0.01mA	
-	
-	
<1.5V or <1.0V or <2.0V	
1KHZ	500HZ
0.2ms/0.2ms	0.5ms/0.5ms
<15%(Sr)	
<1.0%(Sr)	
IP67	
-25 °C - +70 °C	
<10%(Sr)	
YES	
220mA	
<10ms	
RFI>3V/m / EFT>1KV / ESD>4KV (contact)	
IEC 60947-5-2,Part 7.4.1 / IEC 60947-5-2,Part 7.4.2	
PBT	

FCM1-1805N-A3U2	1	FCM2-1808N-A3U2
FCM1-1805N-B3U2	2	FCM2-1808N-B3U2
FCM1-1805P-A3U2	3	FCM2-1808P-A3U2
FCM1-1805P-B3U2	4	FCM2-1808P-B3U2
FCM1-1805P-S4U2	6	FCM2-1808P-S4U2
FCM1-1805N-S4U2	5	FCM2-1808N-S4U2
FCM1-1805C-A2U2	7	FCM2-1808C-A2U2
FCM1-1805C-B2U2	8	FCM2-1808C-B2U2
HCM1-1805N-A3U2	1	HCM2-1808N-A3U2
HCM1-1805N-B3U2	2	HCM2-1808N-B3U2
HCM1-1805P-A3U2	3	HCM2-1808P-A3U2
HCM1-1805P-B3U2	4	HCM2-1808P-B3U2
ICM1-1805N-A3U2	1	ICM2-1808N-A3U2
ICM1-1805N-B3U2	2	ICM2-1808N-B3U2
ICM1-1805P-A3U2	3	ICM2-1808P-A3U2
ICM1-1805P-B3U2	4	ICM2-1808P-B3U2
ICM1-1805P-S4U2	6	ICM2-1808P-S4U2
ICM1-1805N-S4U2	5	ICM2-1808N-S4U2

Please see Page 18 for details and
 specifications of DC 2-Wire models
 on this page.

5.0 φ 44x0.1	
Approx.153 g	Approx.144 g

M 18	
●	○
5 mm	8 mm
stainless steel or nickel plated brass	
●	



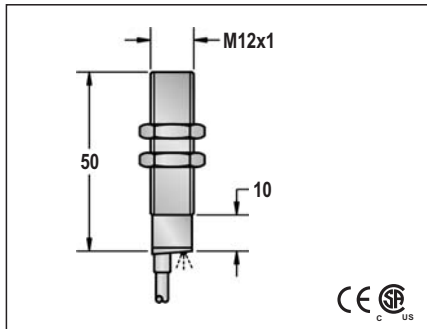
10-30VDC or 5-36VDC or 10-55VDC	
<10%	
<10mA	<20mA
200mA	
<0.01mA	
-	
-	
<1.5V or <1.0V or <2.0V	
1KHZ	500HZ
0.2ms/0.2ms	0.5ms/0.5ms
<15%(Sr)	
<1.0%(Sr)	
IP67	
-25 °C - +70 °C	
<10%(Sr)	
YES	
220mA	
<10ms	
RFI>3V/m / EFT>1KV / ESD>4KV (contact)	
IEC 60947-5-2,Part 7.4.1 / IEC 60947-5-2,Part 7.4.2	
PBT	

FCM1-1805N-A3U2Y	1	FCM2-1808N-A3U2Y
FCM1-1805N-B3U2Y	2	FCM2-1808N-B3U2Y
FCM1-1805P-A3U2Y	3	FCM2-1808P-A3U2Y
FCM1-1805P-B3U2Y	4	FCM2-1808P-B3U2Y
FCM1-1805P-S4U2Y	6	FCM2-1808P-S4U2Y
FCM1-1805N-S4U2Y	5	FCM2-1808N-S4U2Y
FCM1-1805C-A2U2Y	7	FCM2-1808C-A2U2Y
FCM1-1805C-B2U2Y	8	FCM2-1808C-B2U2Y
HCM1-1805N-A3U2Y	1	HCM2-1808N-A3U2Y
HCM1-1805N-B3U2Y	2	HCM2-1808N-B3U2Y
HCM1-1805P-A3U2Y	3	HCM2-1808P-A3U2Y
HCM1-1805P-B3U2Y	4	HCM2-1808P-B3U2Y
ICM1-1805N-A3U2Y	1	ICM2-1808N-A3U2Y
ICM1-1805N-B3U2Y	2	ICM2-1808N-B3U2Y
ICM1-1805P-A3U2Y	3	ICM2-1808P-A3U2Y
ICM1-1805P-B3U2Y	4	ICM2-1808P-B3U2Y
ICM1-1805P-S4U2Y	6	ICM2-1808P-S4U2Y
ICM1-1805N-S4U2Y	5	ICM2-1808N-S4U2Y

5.0 φ 44x0.1	
Approx.153 g	Approx.144 g

DC INDUCTIVE PLASTIC HOUSING PROXIMITY SWITCH

M 12	
●	○
2 mm	4 mm
PBT RESIN	
●	



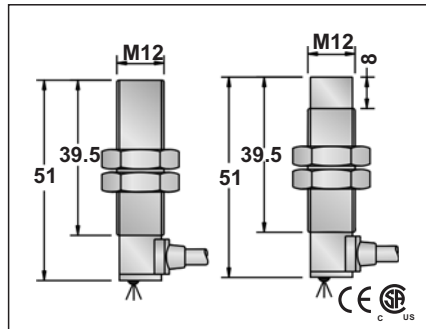
10-30VDC or 5-36VDC or 10-55VDC	
<10%	
<10mA	<20mA
200mA	
<0.01mA	
-	
-	
<1.5V or <1.0V or <2.0V	
2KHZ	1KHZ
0.1ms/0.1ms	0.2ms/0.2ms
<15%(Sr)	
<1.0%(Sr)	
IP67	
-25°C - +70°C	
<10%(Sr)	
YES	
220mA	
<10ms	
RFI>3V/m / EFT>1KV / ESD>4KV (contact)	
IEC 60947-5-2, Part 7.4.1 / IEC 60947-5-2, Part 7.4.2	
POM	

FCP1-1202N-A3U2	1	FCP2-1204N-A3U2
FCP1-1202N-B3U2	2	FCP2-1204N-B3U2
FCP1-1202P-A3U2	3	FCP2-1204P-A3U2
FCP1-1202P-B3U2	4	FCP2-1204P-B3U2
FCP1-1202P-S4U2	6	FCP2-1204P-S4U2
FCP1-1202N-S4U2	5	FCP2-1204N-S4U2
FCP1-1202C-A2U2	7	FCP2-1204C-A2U2
FCP1-1202C-B2U2	8	FCP2-1204C-B2U2
HCP1-1202N-A3U2	1	HCP2-1204N-A3U2
HCP1-1202P-A3U2	3	HCP2-1204P-A3U2
ICP1-1202N-A3U2	1	ICP2-1204N-A3U2
ICP1-1202N-B3U2	2	ICP2-1204N-B3U2
ICP1-1202P-A3U2	3	ICP2-1204P-A3U2
ICP1-1202P-B3U2	4	ICP2-1204P-B3U2

Voltage Drop: <1.5V (for Operating Volt. 10-30V)
 <1V (for Operating Volt. 5-36V)
 <2V (for Operating Volt. 10-55V)
 This applies to all models in the category of
 DC INDUCTIVE PROXIMITY SWITCH.

4φ 3x0.15
Approx.60 g

M 12	
●	○
2 mm	4 mm
PBT RESIN	
●	



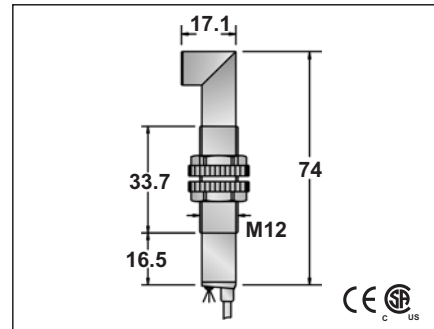
10-30VDC or 5-36VDC or 10-55VDC	
<10%	
<10mA	<20mA
200mA	
<0.01mA	
-	
-	
<1.5V or <1.0V or <2.0V	
2KHZ	1KHZ
0.1ms/0.1ms	0.2ms/0.2ms
<15%(Sr)	
<1.0%(Sr)	
IP67	
-25°C - +70°C	
<10%(Sr)	
YES	
220mA	
<10ms	
RFI>3V/m / EFT>1KV / ESD>4KV (contact)	
IEC 60947-5-2, Part 7.4.1 / IEC 60947-5-2, Part 7.4.2	
POM	PBT

FCP1-1202N-A3U2Y	1	FCP2-1204N-A3U2Y
FCP1-1202N-B3U2Y	2	FCP2-1204N-B3U2Y
FCP1-1202P-A3U2Y	3	FCP2-1204P-A3U2Y
FCP1-1202P-B3U2Y	4	FCP2-1204P-B3U2Y
FCP1-1202P-S4U2Y	6	FCP2-1204P-S4U2Y
FCP1-1202N-S4U2Y	5	FCP2-1204N-S4U2Y
FCP1-1202C-A2U2Y	7	FCP2-1204C-A2U2Y
FCP1-1202C-B2U2Y	8	FCP2-1204C-B2U2Y
HCP1-1202N-A3U2Y	1	HCP2-1204N-A3U2Y
HCP1-1202P-A3U2Y	3	HCP2-1204P-A3U2Y
ICP1-1202N-A3U2Y	1	ICP2-1204N-A3U2Y
ICP1-1202N-B3U2Y	2	ICP2-1204N-B3U2Y
ICP1-1202P-A3U2Y	3	ICP2-1204P-A3U2Y
ICP1-1202P-B3U2Y	4	ICP2-1204P-B3U2Y

Please see Page 18 for details and
 specifications of DC 2-Wire models
 on this page.

4φ 3x0.15
Approx.60 g

M 12	
●	○
2 mm	4 mm
PBT RESIN	
●	



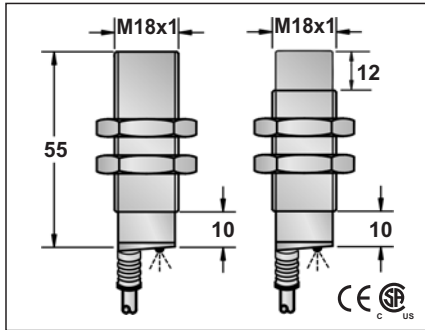
10-30VDC or 5-36VDC or 10-55VDC	
<10%	
<10mA	<20mA
200mA	
<0.01mA	
-	
-	
<1.5V or <1.0V or <2.0V	
2KHZ	1KHZ
0.1ms/0.1ms	0.2ms/0.2ms
<15%(Sr)	
<1.0%(Sr)	
IP67	
-25°C - +70°C	
<10%(Sr)	
YES	
220mA	
<10ms	
RFI>3V/m / EFT>1KV / ESD>4KV (contact)	
IEC 60947-5-2, Part 7.4.1 / IEC 60947-5-2, Part 7.4.2	
POM	

FCP1-1202N-A3U2Z	1	FCP2-1204N-A3U2Z
FCP1-1202N-B3U2Z	2	FCP2-1204N-B3U2Z
FCP1-1202P-A3U2Z	3	FCP2-1204P-A3U2Z
FCP1-1202P-B3U2Z	4	FCP2-1204P-B3U2Z
FCP1-1202P-S4U2Z	6	FCP2-1204P-S4U2Z
FCP1-1202N-S4U2Z	5	FCP2-1204N-S4U2Z
FCP1-1202C-A2U2Z	7	FCP2-1204C-A2U2Z
FCP1-1202C-B2U2Z	8	FCP2-1204C-B2U2Z
HCP1-1202N-A3U2Z	1	HCP2-1204N-A3U2Z
HCP1-1202P-A3U2Z	3	HCP2-1204P-A3U2Z
ICP1-1202N-A3U2Z	1	ICP2-1204N-A3U2Z
ICP1-1202N-B3U2Z	2	ICP2-1204N-B3U2Z
ICP1-1202P-A3U2Z	3	ICP2-1204P-A3U2Z
ICP1-1202P-B3U2Z	4	ICP2-1204P-B3U2Z

4φ 3x0.15
Approx.60 g

DC INDUCTIVE PLASTIC HOUSING PROXIMITY SWITCH

M 18	
●	○
2 mm	4 mm
PBT RESIN	
●	



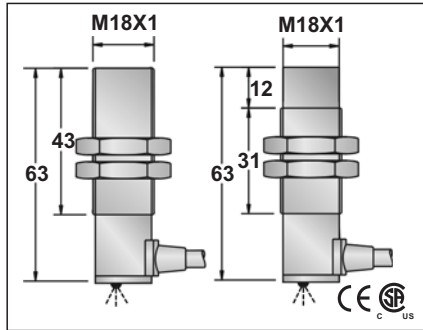
10-30VDC or 5-36VDC or 10-55VDC	
<10%	
<10mA	<20mA
200mA	
<0.01mA	
-	
-	
<1.5V or <1.0V or <2.0V	
1KHZ	500HZ
0.2ms/0.2ms	0.5ms/0.5ms
<15%(Sr)	
<1.0%(Sr)	
IP67	
-25 °C - +70 °C	
<10%(Sr)	
YES	
220mA	
<10ms	
RFI>3V/m / EFT>1KV / ESD>4KV (contact)	
IEC 60947-5-2,Part 7.4.1 / IEC 60947-5-2,Part 7.4.2	
PBT	

FCP1-1805N-A3U2	1	FCP2-1808N-A3U2
FCP1-1805N-B3U2	2	FCP2-1808N-B3U2
FCP1-1805P-A3U2	3	FCP2-1808P-A3U2
FCP1-1805P-B3U2	4	FCP2-1808P-B3U2
FCP1-1805P-S4U2	6	FCP2-1808P-S4U2
FCP1-1805N-S4U2	5	FCP2-1808N-S4U2
FCP1-1805C-A2U2	7	FCP2-1808C-A2U2
FCP1-1805C-B2U2	8	FCP2-1808C-B2U2
HCP1-1805N-A3U2	1	HCP2-1808N-A3U2
HCP1-1805P-A3U2	3	HCP2-1808P-A3U2
ICP1-1805N-A3U2	1	ICP2-1808N-A3U2
ICP1-1805N-B3U2	2	ICP2-1808N-B3U2
ICP1-1805P-A3U2	3	ICP2-1808P-A3U2
ICP1-1805P-B3U2	4	ICP2-1808P-B3U2

Voltage Drop: <1.5V (for Operating Volt. 10-30V)
 <1V (for Operating Volt. 5-36V)
 <2V (for Operating Volt. 10-55V)
 This applies to all models in the category of
 DC INDUCTIVE PROXIMITY SWITCH.

5.0φ 44 x 0.1
Approx.135 g

M 18	
●	○
5 mm	8 mm
PBT RESIN	
●	



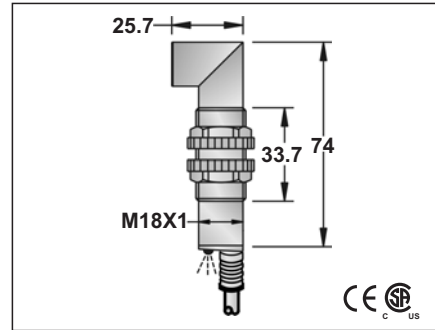
10-30VDC or 5-36VDC or 10-55VDC	
<10%	
<10mA	<20mA
200mA	
<0.01mA	
-	
-	
<1.5V or <1.0V or <2.0V	
1KHZ	500HZ
0.2ms/0.2ms	0.5ms/0.5ms
<15%(Sr)	
<1.0%(Sr)	
IP67	
-25 °C - +70 °C	
<10%(Sr)	
YES	
220mA	
<10ms	
RFI>3V/m / EFT>1KV / ESD>4KV (contact)	
IEC 60947-5-2,Part 7.4.1 / IEC 60947-5-2,Part 7.4.2	
PBT	

FCP1-1805N-A3U2Y	1	FCP2-1808N-A3U2Y
FCP1-1805N-B3U2Y	2	FCP2-1808N-B3U2Y
FCP1-1805P-A3U2Y	3	FCP2-1808P-A3U2Y
FCP1-1805P-B3U2Y	4	FCP2-1808P-B3U2Y
FCP1-1805P-S4U2Y	6	FCP2-1808P-S4U2Y
FCP1-1805N-S4U2Y	5	FCP2-1808N-S4U2Y
FCP1-1805C-A2U2Y	7	FCP2-1808C-A2U2Y
FCP1-1805C-B2U2Y	8	FCP2-1808C-B2U2Y
HCP1-1805N-A3U2Y	1	HCP2-1808N-A3U2Y
HCP1-1805P-A3U2Y	3	HCP2-1808P-A3U2Y
ICP1-1805N-A3U2Y	1	ICP2-1808N-A3U2Y
ICP1-1805N-B3U2Y	2	ICP2-1808N-B3U2Y
ICP1-1805P-A3U2Y	3	ICP2-1808P-A3U2Y
ICP1-1805P-B3U2Y	4	ICP2-1808P-B3U2Y

Please see Page 18 for details and
 specifications of DC 2-Wire models
 on this page.

5.0φ 44x0.1
Approx.135 g

M 18	
●	○
5 mm	8 mm
PBT RESIN	
●	



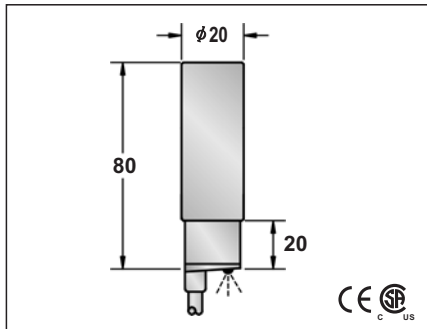
10-30VDC or 5-36VDC or 10-55VDC	
<10%	
<10mA	<20mA
200mA	
<0.01mA	
-	
-	
<1.5V or <1.0V or <2.0V	
1KHZ	500HZ
0.2ms/0.2ms	0.5ms/0.5ms
<15%(Sr)	
<1.0%(Sr)	
IP67	
-25 °C - +70 °C	
<10%(Sr)	
YES	
220mA	
<10ms	
RFI>3V/m / EFT>1KV / ESD>4KV (contact)	
IEC 60947-5-2,Part 7.4.1 / IEC 60947-5-2,Part 7.4.2	
PBT	

FCP1-1805N-A3U2Z	1	FCP2-1808N-A3U2Z
FCP1-1805N-B3U2Z	2	FCP2-1808N-B3U2Z
FCP1-1805P-A3U2Z	3	FCP2-1808P-A3U2Z
FCP1-1805P-B3U2Z	4	FCP2-1808P-B3U2Z
FCP1-1805P-S4U2Z	6	FCP2-1808P-S4U2Z
FCP1-1805N-S4U2Z	5	FCP2-1808N-S4U2Z
FCP1-1805C-A2U2Z	7	FCP2-1808C-A2U2Z
FCP1-1805C-B2U2Z	8	FCP2-1808C-B2U2Z
HCP1-1805N-A3U2Z	1	HCP2-1808N-A3U2Z
HCP1-1805P-A3U2Z	3	HCP2-1808P-A3U2Z
ICP1-1805N-A3U2Z	1	ICP2-1808N-A3U2Z
ICP1-1805N-B3U2Z	2	ICP2-1808N-B3U2Z
ICP1-1805P-A3U2Z	3	ICP2-1808P-A3U2Z
ICP1-1805P-B3U2Z	4	ICP2-1808P-B3U2Z

5.0φ 44x0.1
Approx.135 g

DC INDUCTIVE PLASTIC HOUSING PROXIMITY SWITCH

φ20
○
10 mm
PBT RESIN
●



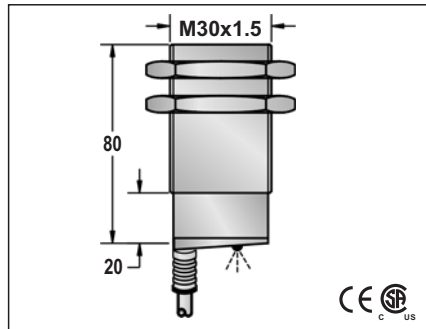
10-30VDC or 5-36VDC or 10-55VDC
<10%
<10mA <20mA
200mA
<0.01mA
-
-
<1.5V or <1.0V or <2.0V
500HZ
0.5ms/0.5ms
<15%(Sr)
<1.0%(Sr)
IP67
-25°C - +70°C
<10%(Sr)
YES
220mA
<10ms
RFI>3V/m / EFT>1KV / ESD>4KV (contact)
IEC 60947-5-2,Part 7.4.1 / IEC 60947-5-2,Part 7.4.2
POM

FCP2-D2010N-A3U2	1
FCP2-D2010N-B3U2	2
FCP2-D2010P-A3U2	3
FCP2-D2010P-B3U2	4
FCP2-D2010C-A2U2	7
FCP2-D2010C-B2U2	8
HCP2-D2010N-A3U2	1
HCP2-D2010P-A3U2	3
ICP2-D2010N-A3U2	1
ICP2-D2010N-B3U2	2
ICP2-D2010P-A3U2	3
ICP2-D2010P-B3U2	4

Voltage Drop: <1.5V (for Operating Volt. 10-30V)
 <1V (for Operating Volt. 5-36V)
 <2V (for Operating Volt. 10-55V)
 This applies to all models in the category of
 DC INDUCTIVE PROXIMITY SWITCH.

5.8φ 3x0.5
Approx.153 g

M 30
● ○
10 mm 15 mm
PBT RESIN
●



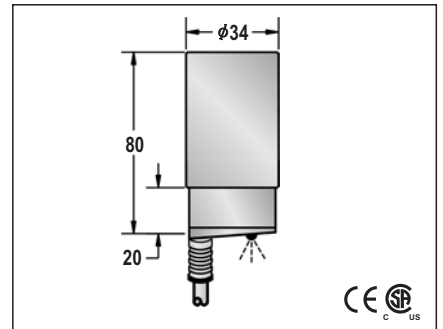
10-30VDC or 5-36VDC or 10-55VDC
<10%
<10mA <20mA
200mA
<0.01mA
-
-
<1.5V or <1.0V or <2.0V
300HZ 150HZ
0.5ms/0.5ms 1ms/1ms
<15%(Sr)
<1.0%(Sr)
IP67
-25°C - +70°C
<10%(Sr)
YES
220mA
<10ms
RFI>3V/m / EFT>1KV / ESD>4KV (contact)
IEC 60947-5-2,Part 7.4.1 / IEC 60947-5-2,Part 7.4.2
PBT

FCP1-3010N-A3U2	1	FCP2-3015N-A3U2
FCP1-3010N-B3U2	2	FCP2-3015N-B3U2
FCP1-3010P-A3U2	3	FCP2-3015P-A3U2
FCP1-3010P-B3U2	4	FCP2-3015P-B3U2
FCP1-3010P-S4U2	6	FCP2-3015P-S4U2
FCP1-3010N-S4U2	5	FCP2-3015N-S4U2
FCP1-3010C-A2U2	7	FCP2-3015C-A2U2
HCP1-3010N-A3U2	1	HCP2-3015N-A3U2
HCP1-3010P-A3U2	3	HCP2-3015P-A3U2
ICP1-3010N-A3U2	1	ICP2-3015N-A3U2
ICP1-3010N-B3U2	2	ICP2-3015N-B3U2
ICP1-3010P-A3U2	3	ICP2-3015P-A3U2
ICP1-3010P-B3U2	4	ICP2-3015P-B3U2

Please see Page 18 for details and
 specifications of DC 2-Wire models
 on this page.

5.8φ 3x0.5
Approx.200 g

φ34
○
20 mm
PBT RESIN
●



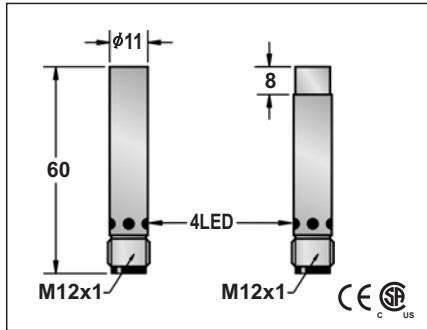
10-30VDC or 5-36VDC or 10-55VDC
<10%
<10mA <20mA
200mA
<0.01mA
-
-
<1.5V or <1.0V or <2.0V
150HZ
1ms/1ms
<15%(Sr)
<1.0%(Sr)
IP67
-25°C - +70°C
<10%(Sr)
YES
220mA
<10ms
RFI>3V/m / EFT>1KV / ESD>4KV (contact)
IEC 60947-5-2,Part 7.4.1 / IEC 60947-5-2,Part 7.4.2
PBT

FCP2-D3420N-A3U2	1
FCP2-D3420N-B3U2	2
FCP2-D3420P-A3U2	3
FCP2-D3420P-B3U2	4
FCP2-D3420C-A2U2	7
FCP2-D3420C-B2U2	8
HCP2-D3420N-A3U2	1
HCP2-D3420P-A3U2	3
ICP2-D3420N-A3U2	1
ICP2-D3420N-B3U2	2
ICP2-D3420P-A3U2	3
ICP2-D3420P-B3U2	4

5.8φ 3x0.5
Approx.259 g

DC INDUCTIVE PROXIMITY SWITCH CONNECTOR TYPE

φ11	
●	○
2 mm	4 mm
stainless steel or nickel plated brass	
●	

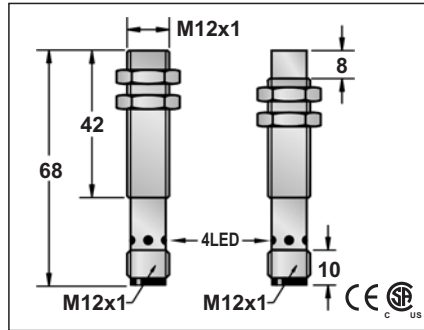


10-30VDC or 5-36VDC or 10-55VDC	
<10%	
<10mA	<20mA
200mA	
<0.01mA	
-	
-	
<1.5V or <1.0V or <2.0V	
2KHZ	1KHZ
0.1ms/0.1ms	0.2ms/0.2ms
<15%(Sr)	
<1.0%(Sr)	
IP67	
-25 °C - +70 °C	
<10%(Sr)	
YES	
220mA	
<10ms	
RFI>3V/m / EFT>1KV / ESD>4KV (contact)	
IEC 60947-5-2,Part 7.4.1 / IEC 60947-5-2,Part 7.4.2	
POM	

FCM1-D1102N-ARU4	33	FCM2-D1104N-ARU4
FCM1-D1102N-BRU4	34	FCM2-D1104N-BRU4
FCM1-D1102P-ARU4	35	FCM2-D1104P-ARU4
FCM1-D1102P-BRU4	36	FCM2-D1104P-BRU4
FCM1-D1102P-SRU4	38	FCM2-D1104P-SRU4
FCM1-D1102N-SRU4	37	FCM2-D1104N-SRU4
FCM1-D1102C-ARU4	40	FCM2-D1104C-ARU4
FCM1-D1102C-BRU4	78	FCM2-D1104C-BRU4
HCM1-D1102N-ARU4	33	HCM2-D1104N-ARU4
HCM1-D1102N-BRU4	34	HCM2-D1104N-BRU4
HCM1-D1102P-ARU4	35	HCM2-D1104P-ARU4
HCM1-D1102P-BRU4	36	HCM2-D1104P-BRU4
ICM1-D1102N-ARU4	33	ICM2-D1104N-ARU4
ICM1-D1102N-BRU4	34	ICM2-D1104N-BRU4
ICM1-D1102P-ARU4	35	ICM2-D1104P-ARU4
ICM1-D1102P-BRU4	36	ICM2-D1104P-BRU4
ICM1-D1102P-SRU4	38	ICM2-D1104P-SRU4
ICM1-D1102N-SRU4	37	ICM2-D1104N-SRU4

Approx.30 g		Approx.29 g	
-------------	--	-------------	--

M 12	
●	○
2 mm	4 mm
stainless steel or nickel plated brass	
●	



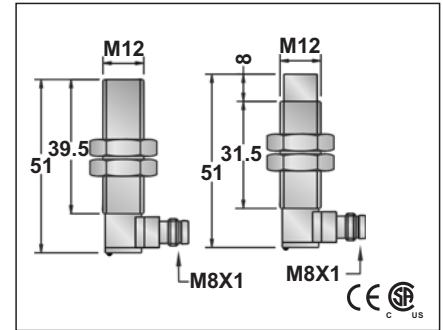
10-30VDC or 5-36VDC or 10-55VDC	
<10%	
<10mA	<20mA
200mA	
<0.01mA	
-	
-	
<1.5V or <1.0V or <2.0V	
2KHZ	1KHZ
0.1ms/0.1ms	0.2ms/0.2ms
<15%(Sr)	
<1.0%(Sr)	
IP67	
-25 °C - +70 °C	
<10%(Sr)	
YES	
220mA	
<10ms	
RFI>3V/m / EFT>1KV / ESD>4KV (contact)	
IEC 60947-5-2,Part 7.4.1 / IEC 60947-5-2,Part 7.4.2	
POM	

FCM1-1202N-ARU4	33	FCM2-1204N-ARU4
FCM1-1202N-BRU4	34	FCM2-1204N-BRU4
FCM1-1202P-ARU4	35	FCM2-1204P-ARU4
FCM1-1202P-BRU4	36	FCM2-1204P-BRU4
FCM1-1202P-SRU4	38	FCM2-1204P-SRU4
FCM1-1202N-SRU4	37	FCM2-1204N-SRU4
FCM1-1202C-ARU4	40	FCM2-1204C-ARU4
FCM1-1202C-BRU4	78	FCM2-1204C-BRU4
HCM1-1202N-ARU4	33	HCM2-1204N-ARU4
HCM1-1202N-BRU4	34	HCM2-1204N-BRU4
HCM1-1202P-ARU4	35	HCM2-1204P-ARU4
HCM1-1202P-BRU4	36	HCM2-1204P-BRU4
ICM1-1202N-ARU4	33	ICM2-1204N-ARU4
ICM1-1202N-BRU4	34	ICM2-1204N-BRU4
ICM1-1202P-ARU4	35	ICM2-1204P-ARU4
ICM1-1202P-BRU4	36	ICM2-1204P-BRU4
ICM1-1202P-SRU4	38	ICM2-1204P-SRU4
ICM1-1202N-SRU4	37	ICM2-1204N-SRU4

Approx.31 g		Approx.30 g	
-------------	--	-------------	--

Please see Page 18 for details and specifications of DC 2-Wire models on this page.

M 12	
●	○
2 mm	4 mm
stainless steel or nickel plated brass	
●	



10-30VDC or 5-36VDC or 10-55VDC	
<10%	
<10mA	<20mA
200mA	
<0.01mA	
-	
-	
<1.5V or <1.0V or <2.0V	
2KHZ	1KHZ
0.1ms/0.1ms	0.2ms/0.2ms
<15%(Sr)	
<1.0%(Sr)	
IP67	
-25 °C - +70 °C	
<10%(Sr)	
YES	
220mA	
<10ms	
RFI>3V/m / EFT>1KV / ESD>4KV (contact)	
IEC 60947-5-2,Part 7.4.1 / IEC 60947-5-2,Part 7.4.2	
POM	

FCM1-1202N-ACU3Y	33	FCM2-1204N-ACU3Y
FCM1-1202N-BCU3Y	34	FCM2-1204N-BCU3Y
FCM1-1202P-ACU3Y	35	FCM2-1204P-ACU3Y
FCM1-1202P-BCU3Y	36	FCM2-1204P-BCU3Y
FCM1-1202P-SCU4Y	38	FCM2-1204P-SCU4Y
FCM1-1202N-SCU4Y	37	FCM2-1204N-SCU4Y
FCM1-1202C-ACU3Y	40	FCM2-1204C-ACU3Y
FCM1-1202C-BCU3Y	78	FCM2-1204C-BCU3Y
HCM1-1202N-ACU3Y	33	HCM2-1204N-ACU3Y
HCM1-1202N-BCU3Y	34	HCM2-1204N-BCU3Y
HCM1-1202P-ACU3Y	35	HCM2-1204P-ACU3Y
HCM1-1202P-BCU3Y	36	HCM2-1204P-BCU3Y
ICM1-1202N-ACU3Y	33	ICM2-1204N-ACU3Y
ICM1-1202N-BCU3Y	34	ICM2-1204N-BCU3Y
ICM1-1202P-ACU3Y	35	ICM2-1204P-ACU3Y
ICM1-1202P-BCU3Y	36	ICM2-1204P-BCU3Y
ICM1-1202P-SCU4Y	38	ICM2-1204P-SCU4Y
ICM1-1202N-SCU4Y	37	ICM2-1204N-SCU4Y

Approx.31 g		Approx.30 g	
-------------	--	-------------	--

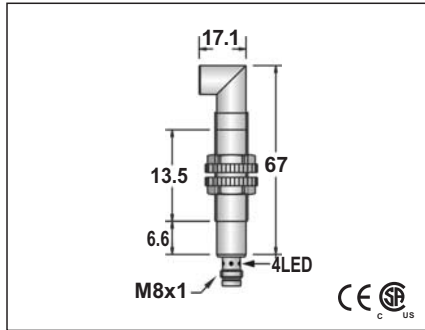
1. Voltage drop:<1.5V(10-30V),<1V(5-36V), <2V(10-55V).
2. 10-55V type: No Load Current < 20mA.

M12、M18

DC INDUCTIVE PROXIMITY SWITCH CONNECTOR TYPE

DC INDUCTIVE PROXIMITY SWITCH CONNECTOR TYPE

M 12	
●	○
2 mm	4 mm
stainless steel or nickel plated brass	
●	

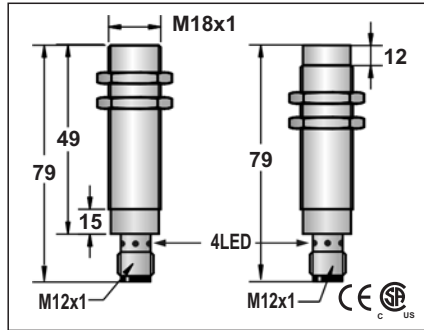


10-30VDC or 5-36VDC or 10-55VDC	
<10%	
<10mA	<20mA
200mA	
<0.01mA	
-	
<1.5V or <1.0V or <2.0V	
2KHZ	1KHZ
0.1ms/0.1ms	0.2ms/0.2ms
<15%(Sr)	
<1.0%(Sr)	
IP67	
-25 °C - +70 °C	
<10%(Sr)	
YES	
220mA	
<10ms	
RFI>3V/m / EFT>1KV / ESD>4KV (contact)	
IEC 60947-5-2, Part 7.4.1 / IEC 60947-5-2, Part 7.4.2	
POM	

FCM1-1202N-ACU3Z	33	FCM2-1204N-ACU3Z
FCM1-1202N-BCU3Z	34	FCM2-1204N-BCU3Z
FCM1-1202P-ACU3Z	35	FCM2-1204P-ACU3Z
FCM1-1202P-BCU3Z	36	FCM2-1204P-BCU3Z
FCM1-1202P-SCU4Z	38	FCM2-1204P-SCU4Z
FCM1-1202N-SCU4Z	37	FCM2-1204N-SCU4Z
FCM1-1202C-ACU3Z	40	FCM2-1204C-ACU3Z
FCM1-1202C-BCU3Z	78	FCM2-1204C-BCU3Z
HCM1-1202N-ACU3Z	33	HCM2-1204N-ACU3Z
HCM1-1202N-BCU3Z	34	HCM2-1204N-BCU3Z
HCM1-1202P-ACU3Z	35	HCM2-1204P-ACU3Z
HCM1-1202P-BCU3Z	36	HCM2-1204P-BCU3Z
ICM1-1202N-ACU3Z	33	ICM2-1204N-ACU3Z
ICM1-1202N-BCU3Z	34	ICM2-1204N-BCU3Z
ICM1-1202P-ACU3Z	35	ICM2-1204P-ACU3Z
ICM1-1202P-BCU3Z	36	ICM2-1204P-BCU3Z
ICM1-1202P-SCU4Z	38	ICM2-1204P-SCU4Z
ICM1-1202N-SCU4Z	37	ICM2-1204N-SCU4Z

Approx.31 g	
Approx.30 g	

M 18	
●	○
5 mm	8 mm
stainless steel or nickel plated brass	
●	



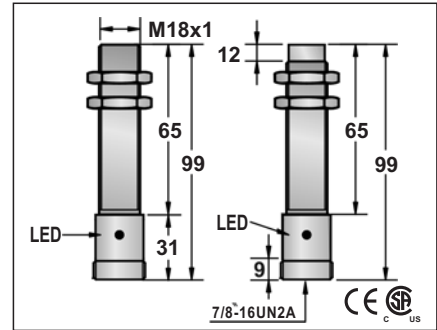
10-30VDC or 5-36VDC or 10-55VDC	
<10%	
<10mA	<20mA
200mA	
<0.01mA	
-	
<1.5V or <1.0V or <2.0V	
1KHZ	500HZ
0.2ms/0.2ms	0.5ms/0.5ms
<15%(Sr)	
<1.0%(Sr)	
IP67	
-25 °C - +70 °C	
<10%(Sr)	
YES	
220mA	
<10ms	
RFI>3V/m / EFT>1KV / ESD>4KV (contact)	
IEC 60947-5-2, Part 7.4.1 / IEC 60947-5-2, Part 7.4.2	
PBT	

FCM1-1805N-ARU4	33	FCM2-1808N-ARU4
FCM1-1805N-BRU4	34	FCM2-1808N-BRU4
FCM1-1805P-ARU4	35	FCM2-1808P-ARU4
FCM1-1805P-BRU4	36	FCM2-1808P-BRU4
FCM1-1805P-SRU4	38	FCM2-1808P-SRU4
FCM1-1805N-SRU4	37	FCM2-1808N-SRU4
FCM1-1805C-ARU4	40	FCM2-1808C-ARU4
FCM1-1805C-BRU4	78	FCM2-1808C-BRU4
HCM1-1805N-ARU4	33	HCM2-1808N-ARU4
HCM1-1805N-BRU4	34	HCM2-1808N-BRU4
HCM1-1805P-ARU4	35	HCM2-1808P-ARU4
HCM1-1805P-BRU4	36	HCM2-1808P-BRU4
ICM1-1805N-ARU4	33	ICM2-1808N-ARU4
ICM1-1805N-BRU4	34	ICM2-1808N-BRU4
ICM1-1805P-ARU4	35	ICM2-1808P-ARU4
ICM1-1805P-BRU4	36	ICM2-1808P-BRU4
ICM1-1805P-SRU4	38	ICM2-1808P-SRU4
ICM1-1805N-SRU4	37	ICM2-1808N-SRU4

Approx.94 g	
Approx.91 g	

Please see Page 18 for details and specifications of DC 2-Wire models on this page.

M 18	
●	○
5 mm	8 mm
stainless steel or nickel plated brass	
●	



10-30VDC or 5-36VDC or 10-55VDC	
<10%	
<10mA	<20mA
200mA	
<0.01mA	
-	
<1.5V or <1.0V or <2.0V	
1KHZ	500HZ
0.2ms/0.2ms	0.5ms/0.5ms
<15%(Sr)	
<1.0%(Sr)	
IP67	
-25 °C - +70 °C	
<10%(Sr)	
YES	
220mA	
<10ms	
RFI>3V/m / EFT>1KV / ESD>4KV (contact)	
IEC 60947-5-2, Part 7.4.1 / IEC 60947-5-2, Part 7.4.2	
PBT	

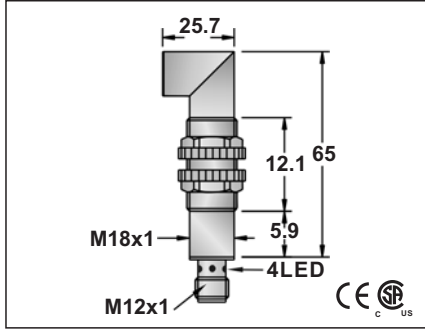
FCM1-1805N-AZU4	41	FCM2-1808N-AZU4
FCM1-1805N-BZU4	42	FCM2-1808N-BZU4
FCM1-1805P-AZU4	43	FCM2-1808P-AZU4
FCM1-1805P-BZU4	44	FCM2-1808P-BZU4
FCM1-1805P-SZU4	46	FCM2-1808P-SZU4
FCM1-1805N-SZU4	45	FCM2-1808N-SZU4
FCM1-1805C-AZU4	47	FCM2-1808C-AZU4
FCM1-1805C-BZU4	79	FCM2-1808C-BZU4
HCM1-1805N-AZU4	41	HCM2-1808N-AZU4
HCM1-1805N-BZU4	42	HCM2-1808N-BZU4
HCM1-1805P-AZU4	43	HCM2-1808P-AZU4
HCM1-1805P-BZU4	44	HCM2-1808P-BZU4
ICM1-1805N-AZU4	31	ICM2-1808N-AZU4
ICM1-1805N-BZU4	32	ICM2-1808N-BZU4
ICM1-1805P-AZU4	43	ICM2-1808P-AZU4
ICM1-1805P-BZU4	44	ICM2-1808P-BZU4
ICM1-1805P-SZU4	46	ICM2-1808P-SZU4
ICM1-1805N-SZU4	45	ICM2-1808N-SZU4

Approx.94 g	
Approx.91 g	

1. Voltage Drop: <1.5V(10-30V), <1V(5-36V), <2V(10-55V).
2. 10-55V type: No Load Current < 20mA.

DC INDUCTIVE PROXIMITY SWITCH CONNECTOR TYPE

M 18	
●	○
5 mm	8 mm
stainless steel or nickel plated brass	
●	

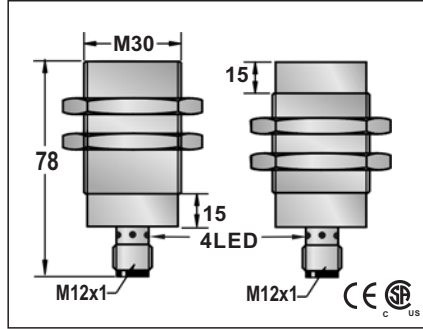


10-30VDC or 5-36VDC or 10-55VDC	
<10%	
<10mA	<20mA
200mA	
<0.01mA	
-	
-	
<1.5V or <1.0V or <2.0V	
1KHZ	500HZ
0.2ms/0.2ms	0.5ms/0.5ms
<15%(Sr)	
<1.0%(Sr)	
IP67	
-25°C - +70°C	
<10%(Sr)	
YES	
220mA	
<10ms	
RFI>3V/m / EFT>1KV / ESD>4KV (contact)	
IEC 60947-5-2, Part 7.4.1 / IEC 60947-5-2, Part 7.4.2	
PBT	

FCM1-1805N-ARU4Z	33	FCM2-1808N-ARU4Z
FCM1-1805N-BRU4Z	34	FCM2-1808N-BRU4Z
FCM1-1805P-ARU4Z	35	FCM2-1808P-ARU4Z
FCM1-1805P-BRU4Z	36	FCM2-1808P-BRU4Z
FCM1-1805P-SRU4Z	38	FCM2-1808P-SRU4Z
FCM1-1805N-SRU4Z	37	FCM2-1808N-SRU4Z
FCM1-1805C-ARU4Z	40	FCM2-1808C-ARU4Z
FCM1-1805C-BRU4Z	78	FCM2-1808C-BRU4Z
HCM1-1805N-ARU4Z	33	HCM2-1808N-ARU4Z
HCM1-1805N-BRU4Z	34	HCM2-1808N-BRU4Z
HCM1-1805P-ARU4Z	35	HCM2-1808P-ARU4Z
HCM1-1805P-BRU4Z	36	HCM2-1808P-BRU4Z
ICM1-1805N-ARU4Z	33	ICM2-1808N-ARU4Z
ICM1-1805N-BRU4Z	34	ICM2-1808N-BRU4Z
ICM1-1805P-ARU4Z	35	ICM2-1808P-ARU4Z
ICM1-1805P-BRU4Z	36	ICM2-1808P-BRU4Z
ICM1-1805P-SRU4Z	38	ICM2-1808P-SRU4Z
ICM1-1805N-SRU4Z	37	ICM2-1808N-SRU4Z

Approx.94 g		Approx.91 g	
-------------	--	-------------	--

M 30	
●	○
10 mm	15 mm
stainless steel or nickel plated brass	
●	



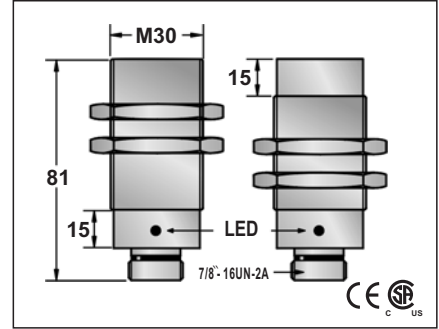
10-30VDC or 5-36VDC or 10-55VDC	
<10%	
<10mA	<20mA
200mA	
<0.01mA	
-	
-	
<1.5V or <1.0V or <2.0V	
300HZ	150HZ
0.5ms/0.5ms	1ms/1ms
<15%(Sr)	
<1.0%(Sr)	
IP67	
-25°C - +70°C	
<10%(Sr)	
YES	
220mA	
<10ms	
RFI>3V/m / EFT>1KV / ESD>4KV (contact)	
IEC 60947-5-2, Part 7.4.1 / IEC 60947-5-2, Part 7.4.2	
PBT	

FCM1-3010N-ARU4	33	FCM2-3015N-ARU4
FCM1-3010N-BRU4	34	FCM2-3015N-BRU4
FCM1-3010P-ARU4	35	FCM2-3015P-ARU4
FCM1-3010P-BRU4	36	FCM2-3015P-BRU4
FCM1-3010P-SRU4	38	FCM2-3015P-SRU4
FCM1-3010N-SRU4	37	FCM2-3015N-SRU4
FCM1-3010C-ARU4	40	FCM2-3015C-ARU4
FCM1-3010C-BRU4	78	FCM2-3015C-BRU4
HCM1-3010N-ARU4	33	HCM2-3015N-ARU4
HCM1-3010N-BRU4	34	HCM2-3015N-BRU4
HCM1-3010P-ARU4	35	HCM2-3015P-ARU4
HCM1-3010P-BRU4	36	HCM2-3015P-BRU4
ICM1-3010N-ARU4	33	ICM2-3015N-ARU4
ICM1-3010N-BRU4	34	ICM2-3015N-BRU4
ICM1-3010P-ARU4	35	ICM2-3015P-ARU4
ICM1-3010P-BRU4	36	ICM2-3015P-BRU4
ICM1-3010P-SRU4	38	ICM2-3015P-SRU4
ICM1-3010N-SRU4	37	ICM2-3015N-SRU4

Approx.187 g		Approx.179 g	
--------------	--	--------------	--

Please see Page 18 for details and specifications of DC 2-Wire models on this page.

M 30	
●	○
10 mm	15 mm
stainless steel or nickel plated brass	
●	



10-30VDC or 5-36VDC or 10-55VDC	
<10%	
<10mA	<20mA
200mA	
<0.01mA	
-	
-	
<1.5V or <1.0V or <2.0V	
0.5ms/0.5ms	1ms/1ms
300HZ	150HZ
<15%(Sr)	
<1.0%(Sr)	
IP67	
-25°C - +70°C	
<10%(Sr)	
YES	
220mA	
<10ms	
RFI>3V/m / EFT>1KV / ESD>4KV (contact)	
IEC 60947-5-2, Part 7.4.1 / IEC 60947-5-2, Part 7.4.2	
PBT	

FCM1-3010N-AZU4	41	FCM2-3015N-AZU4
FCM1-3010N-BZU4	42	FCM2-3015N-BZU4
FCM1-3010P-AZU4	43	FCM2-3015P-AZU4
FCM1-3010P-BZU4	44	FCM2-3015P-BZU4
FCM1-3010P-SZU4	46	FCM2-3015P-SZU4
FCM1-3010N-SZU4	45	FCM2-3015N-SZU4
FCM1-3010C-AZU4	47	FCM2-3015C-AZU4
FCM1-3010C-BZU4	79	FCM2-3015C-BZU4
HCM1-3010N-AZU4	41	HCM2-3015N-AZU4
HCM1-3010N-BZU4	42	HCM2-3015N-BZU4
HCM1-3010P-AZU4	43	HCM2-3015P-AZU4
HCM1-3010P-BZU4	44	HCM2-3015P-BZU4
ICM1-3010N-AZU4	41	ICM2-3015N-AZU4
ICM1-3010N-BZU4	42	ICM2-3015N-BZU4
ICM1-3010P-AZU4	43	ICM2-3015P-AZU4
ICM1-3010P-BZU4	44	ICM2-3015P-BZU4
ICM1-3010P-SZU4	46	ICM2-3015P-SZU4
ICM1-3010N-SZU4	45	ICM2-3015N-SZU4

Approx.187 g		Approx.179 g	
--------------	--	--------------	--

1. Voltage Drop:<1.5V(10-30V),<1V(5-36V), <2V(10-55V).
2. 10-55V type: no load current < 20mA.

