

# + SCAN

AUTOMATION TECHNOLOGY

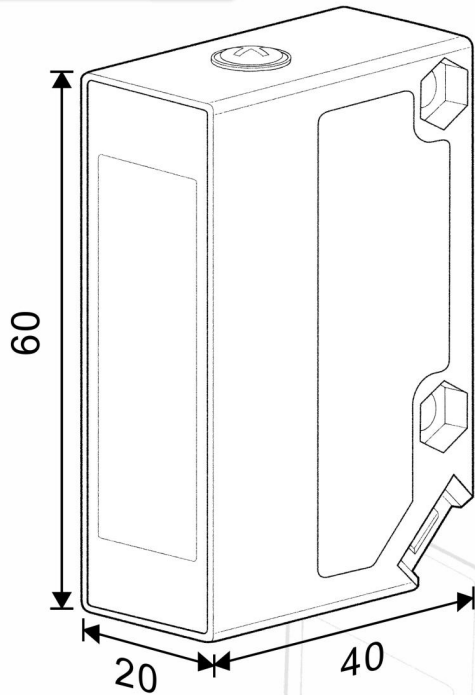
Background Suppression. Unleashed.

The background suppression (BGS) performance of our photoelectric sensors just got stronger. Since the early 2000s we have offered a number of photoelectric sensors with BGS feature, such as our M30, RP43, RP64, and RP76. Today we have refined the RP43 and RP64 with advanced optics and electronics to strengthen their BGS performance. In addition, the RP43 model with upgraded BGS is now available with a laser light source. Same reliable products, completely different animals.

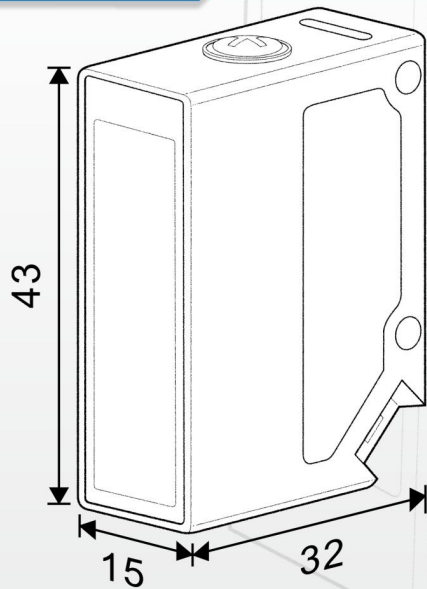


Designed By  
**Sensorhead**™

# RP64



# RP43



unit: mm

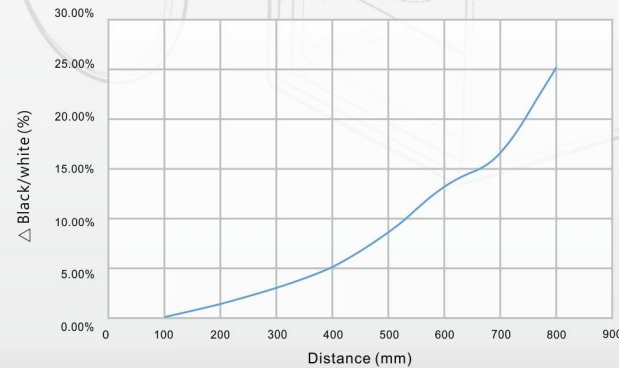
## Advanced Background Suppression

	RP64	RP43	RP43 - Laser
Light source	Red LED		Class 1 laser
Operating voltage	10-30 VDC		
Effective BGS SN (mm)	800	300	200
90% reflectivity SN (mm)	1500	500	300
Output mode	NPN/PNP		
Response time (ms)	< 2		
Max load (mA)	100		
No load current (mA)	< 35		
Voltage drop (V)	< 1.5		
Protection category	IP67		
Operating temperature (°C)	-25 ~ +55		
Short circuit protection	Yes		
Certifications	CE, CSA		
EMC	EN 60947-5-2:2007/A1:2012		
Housing material	PBT & Aluminum		

### Selected models

RP64-D0800N-CY6C4U2-BS2	RP43-D0300N-CY6C4U2-BS2	RP43-D0200N-CY1C4U2-BS2
RP64-D0800P-CY6C4U2-BS2	RP43-D0300P-CY6C4U2-BS2	RP43-D0200P-CY1C4U2-BS2
RP64-D0800N-CY6P4UE-BS2	RP43-D0300N-CY6P4UE-BS2	RP43-D0200N-CY1P4UE-BS2
RP64-D0800P-CY6P4UE-BS2	RP43-D0300P-CY6P4UE-BS2	RP43-D0200P-CY1P4UE-BS2

### RP64 BS2 Performance



### RP43 BS2 Performance

